

2187194-1 ✓ ACTIVE



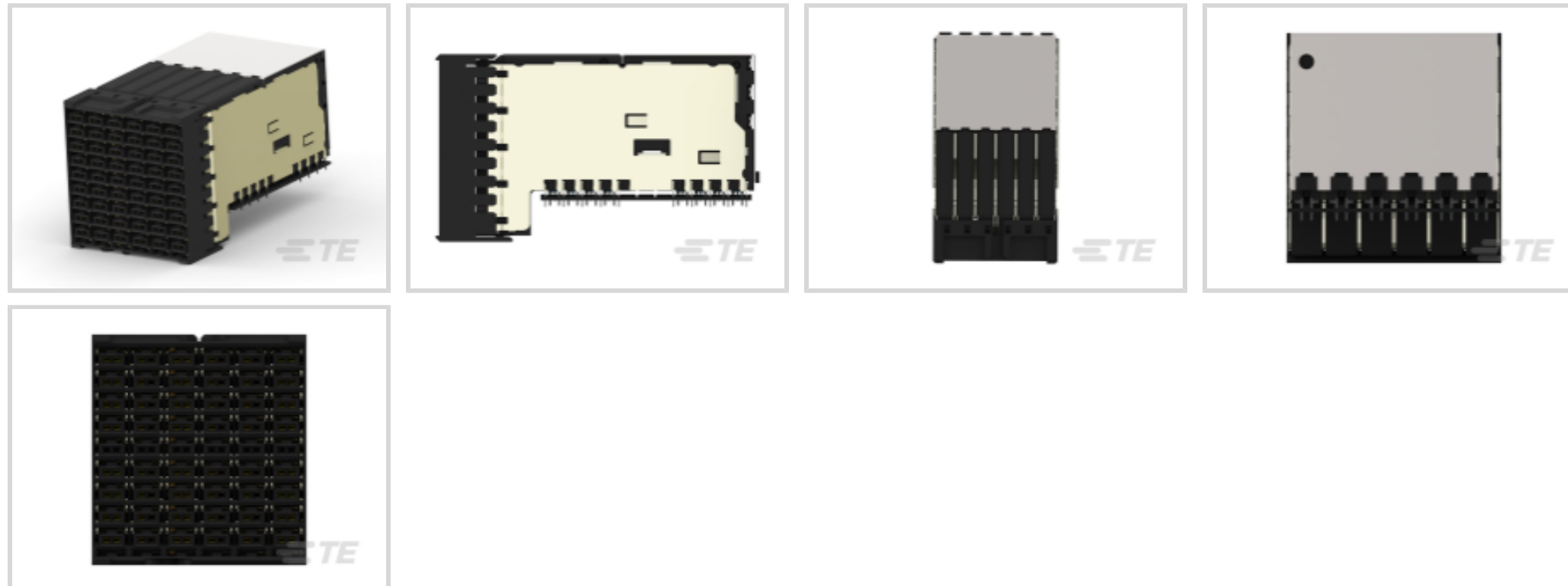
STRADA Whisper 3.9mm

TE Internal #: 2187194-1

High Speed Backplane Connectors, Board-to-Board, 96 Position,
Mating Alignment, Keyed Mating Alignment Type, 8 Row, 6
Column, STRADA Whisper 3.9mm

[View on TE.com >](#)

Connectors > PCB Connectors > Backplane Connectors > High Speed Connectors



Connector System: **Board-to-Board**

Number of Positions: **96**

Row-to-Row Spacing: **2.5 mm [.098 in]**

Mating Alignment: **With**

Mating Alignment Type: **Keyed**

Features

Product Type Features

Backplane Module Type	Center
Signal Arrangement	Differential
Connector System	Board-to-Board
PCB Connector Assembly Type	PCB Mount Receptacle
Shroud Style	Unshrouded
Sealable	No
Connector & Contact Terminates To	Printed Circuit Board

Configuration Features

Pairs per Column	8
Number of Ground Positions	54
Number of Power Positions	96
Number of Pairs	54
Number of Signal Positions	96
Number of Positions	96



Number of Rows	8
Number of Columns	6
Backplane Architecture	Traditional Backplane
PCB Mount Orientation	Right Angle

Electrical Characteristics

Impedance	100 Ω
Operating Voltage	80 VAC

Signal Characteristics

Differential Impedance	100 Ω
Number of Differential Pairs per Column	12
Data Rate	56 Gb/s

Body Features

Shield Material	Copper Alloy
-----------------	--------------

Contact Features

Contact Type	Receptacle
Contact Shape & Form	Dual Beam
PCB Contact Termination Area Plating Material	Tin
Contact Base Material	Copper Alloy
Contact Current Rating (Max)	.4 A

Termination Features

Termination Method to Printed Circuit Board	Through Hole - Press-Fit
---	--------------------------

Mechanical Attachment

Mating Retention	Without
Guide Hardware	Without
PCB Mount Retention	With
PCB Mount Retention Type	Action/Compliant Tail
Mating Alignment	With
Mating Alignment Type	Keyed

Housing Features

Number of Shrouded Sides	0
Housing Material	LCP (Liquid Crystal Polymer)
Housing Color	Black



Centerline (Pitch)	3.9 mm[.154 in]
--------------------	-----------------

Dimensions

Row-to-Row Spacing	2.5 mm[.098 in]
--------------------	-----------------

Usage Conditions

Operating Temperature Range	-55 – 105 °C[-67 – 221 °F]
-----------------------------	----------------------------

Operation/Application

Durability Rating	200 Cycles
-------------------	------------

Circuit Application	Signal
---------------------	--------

Industry Standards

UL File Number	E28476
----------------	--------

Agency/Standard	UL
-----------------	----

UL Flammability Rating	UL 94V-0
------------------------	----------

Packaging Features

Packaging Method	Tube
------------------	------

Product Compliance

[For compliance documentation, visit the product page on TE.com>](#)

EU RoHS Directive 2011/65/EU	Compliant
------------------------------	-----------

EU ELV Directive 2000/53/EC	Compliant
-----------------------------	-----------

China RoHS 2 Directive MIIT Order No 32, 2016	No Restricted Materials Above Threshold
---	---

EU REACH Regulation (EC) No. 1907/2006	Current ECHA Candidate List: JUNE 2022 (224) Candidate List Declared Against: JAN 2021 (211) SVHC > Threshold: Not Yet Reviewed
--	--

Halogen Content	Low Halogen - Br, Cl, F, I < 900 ppm per homogenous material. Also BFR/CFR/PVC Free
-----------------	---

Solder Process Capability	Not reviewed for solder process capability
---------------------------	--

Product Compliance Disclaimer

This information is provided based on reasonable inquiry of our suppliers and represents our current actual knowledge based on the information they provided. This information is subject to change. The part numbers that TE has identified as EU RoHS compliant have a maximum concentration of 0.1% by weight in homogenous materials for lead, hexavalent chromium, mercury, PBB, PBDE, DBP, BBP, DEHP, DIBP, and 0.01% for cadmium, or qualify for an exemption to these limits as defined in the Annexes of Directive 2011/65/EU (RoHS2). Finished electrical and electronic equipment products will be CE marked as required by Directive 2011/65/EU. Components may not be CE marked. Additionally, the part

numbers that TE has identified as EU ELV compliant have a maximum concentration of 0.1% by weight in homogenous materials for lead, hexavalent chromium, and mercury, and 0.01% for cadmium, or qualify for an exemption to these limits as defined in the Annexes of Directive 2000/53/EC (ELV). Regarding the REACH Regulation, the information TE provides on SVHC in articles for this part number is based on the latest European Chemicals Agency (ECHA) 'Guidance on requirements for substances in articles' posted at this URL: <https://echa.europa.eu/guidance-documents/guidance-on-reach>

Compatible Parts



TE Part # 2187461-1
SW PIR HDR BP, 100OHM, 9X6SP DEW



TE Part # 2274955-1
C/A, 9P6C, 100 OHM, STRADA WHISPER



TE Part # 2185252-1
ASSY, EXTRACTION TOOL



TE Part # 3-2320905-6
C/A 9P5C 100 OHM CBLE STRADA WHISPER



TE Part # 5-2320905-6
C/A 9P5C 100 OHM CBLE STRADA WHISPER

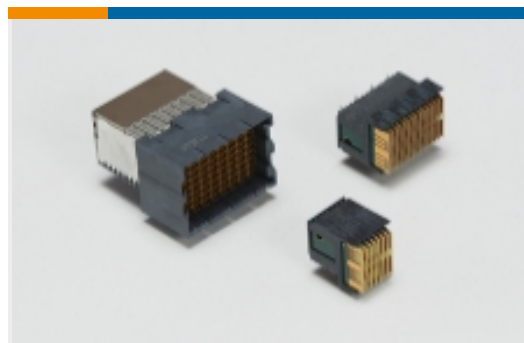


TE Part # 6-2320905-6
C/A 9P5C 100 OHM CBLE STRADA WHISPER

Also in the Series | STRADA Whisper 3.9mm



High Speed Backplane Cable Assemblies(16)



High Speed Backplane Connectors(41)

Customers Also Bought



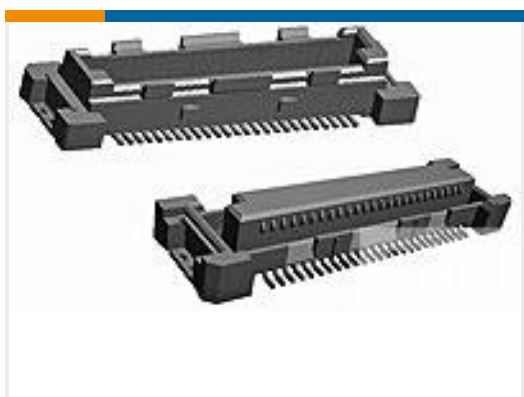
TE Part #2-2129710-6
RIGHT SIDE LGA3647-0 SOCKET-P0 FOR ODM



TE Part #2324869-1
CONNECTOR ASSEMBLY, SMT, PDNI, OSFP



TE Part #2-603227-0
CABLE TIE, BLACK, 6" L, 1000/PACK



TE Part #1-5316559-1
.6FHP04H,160,S,GIG,08/Sn,HT,SEYes



TE Part #2007132-1
SFP+ 1X4 Cage Assembly, Press-



TE Part #2110819-1
QSFP+ Enh EVERCLEAR PT Conn



TE Part #9-1879215-2
CPF 0402 41K2 0.1% 25PPM 1K RL



TE Part #8-1614882-8
CPF 0603 7R5 0.1% 25PPM 1K RL



TE Part #1-2324882-2
CAGE ASSY 1X4 QSFP-DD W HS

Documents

Product Drawings

[SW PIR RECT, 100OHM, 9X6SP](#)

English

CAD Files

[3D PDF](#)

3D

Customer View Model

[ENG_CVM_CVM_2187194-1_A.2d_dxf.zip](#)

English

Customer View Model

[ENG_CVM_CVM_2187194-1_A.3d_igs.zip](#)

English

Customer View Model

[ENG_CVM_CVM_2187194-1_A.3d_stp.zip](#)

English

By downloading the CAD file I accept and agree to the [Terms and Conditions](#) of use.

Datasheets & Catalog Pages

[STRADA Whisper 3.9mm 100-Ohm Pair-In-Row Right-Angle Receptacle Connector Routing Guide](#)

English

Product Specifications

[Application Specification](#)

English

Product Environmental Compliance

[Product Compliance](#)

2187194-1

High Speed Backplane Connectors, Board-to-Board, 96 Position, Mating Alignment, Keyed Mating Alignment Type, 8 Row, 6 Column, STRADA Whisper 3.9mm



English

[Product Compliance](#)

English