

THIS DRAWING IS UNPUBLISHED.

RELEASED FOR PUBLICATION

20

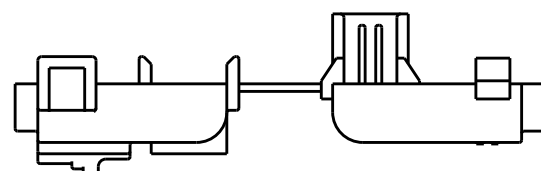
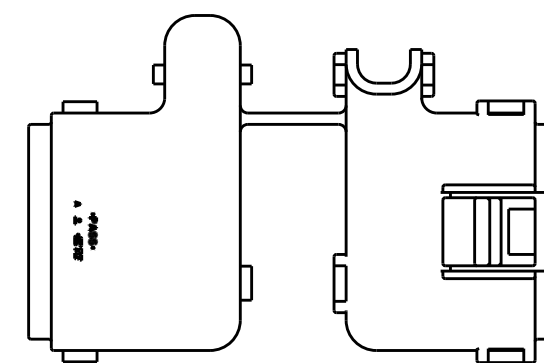
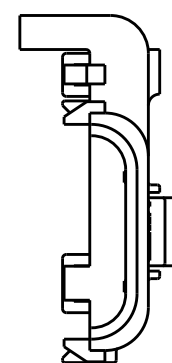
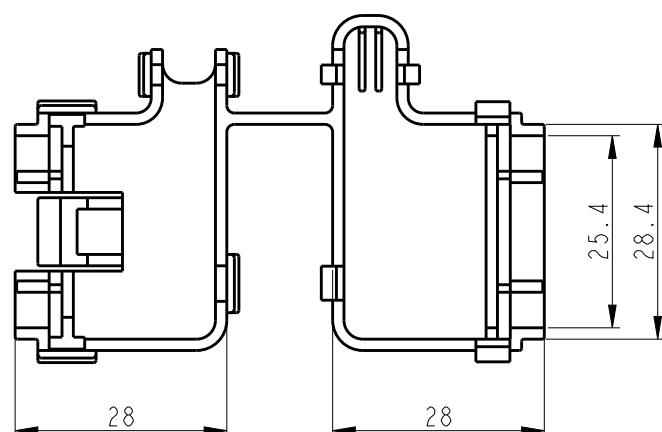
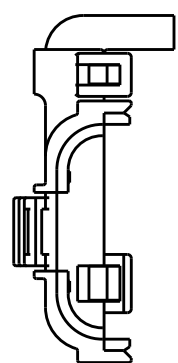
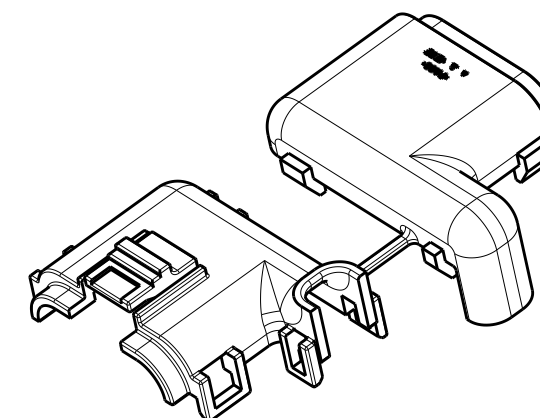
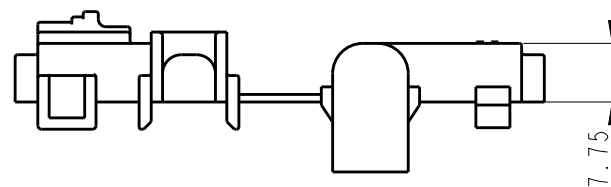
© COPYRIGHT 20 BY -

ALL RIGHTS RESERVED.

REVISIONS

P	LTR	DESCRIPTION	DATE	DWN	APVD
	A1	REVISED(ECR-15-014757)	15. JUL. '15	JM	HG
	A2	REVISED(ECR-17-018463)	27. SEP. '17	JS	YJ

<2109570-X>
TYPE A



A2	8	BLACK	PA66	WIRE COVER TYPE E	4-2109570-2
A2	7	BLACK	PA66	WIRE COVER TYPE D	3-2109570-2
	6	GRAY	PA66	WIRE COVER TYPE C	2-2109570-3
	5	BLACK	PA66	WIRE COVER TYPE C	2-2109570-2
	4	GRAY	PA66	WIRE COVER TYPE B	1-2109570-3
	3	BLACK	PA66	WIRE COVER TYPE B	1-2109570-2
	2	GRAY	PA66	WIRE COVER TYPE A	2109570-3
	1	BLACK	PA66	WIRE COVER TYPE A	2109570-2
NO.	COLOR	MATERIAL	DESCRIPTION	P/N	

NOTES.

- GENERAL TOLERANCE : ± 0.3 , $\pm 3^\circ$
- APPLICABLE MATING PART NO : 2005375

THIS DRAWING IS A CONTROLLED DOCUMENT.

DIMENSIONS:	TOLERANCES UNLESS OTHERWISE SPECIFIED:
mm	
	0 PLC \pm
	1 PLC \pm
	2 PLC \pm
	3 PLC \pm
	4 PLC \pm
	ANGLES \pm
MATERIAL	FINISH
SEE TABLE	-

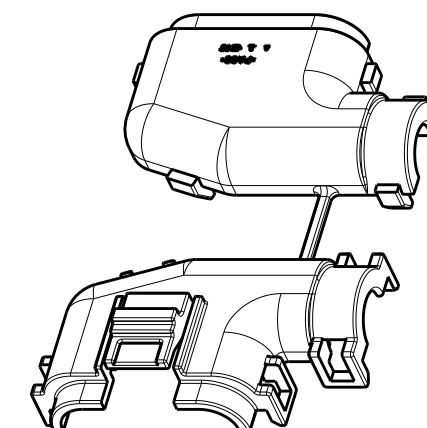
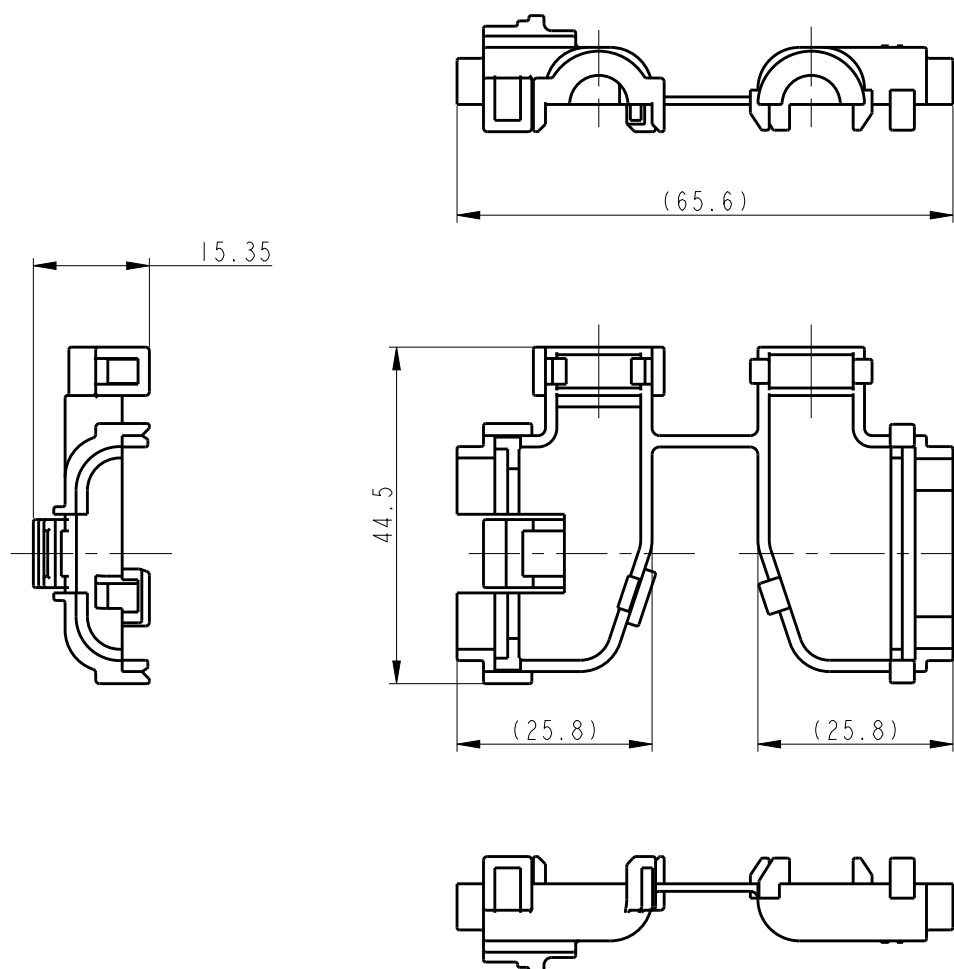
DWN	JM JEON
CHK	JW JUNG
APVD	HG CHO
PRODUCT SPEC	-
APPLICATION SPEC	-
WEIGHT	-
CUSTOMER DRAWING	

NAME			
-			
SIZE	CAGE CODE	DRAWING NO	RESTRICTED TO
A3	-	C-2109570	
SCALE		SHEET	REV
1:1		1 OF 3	A2

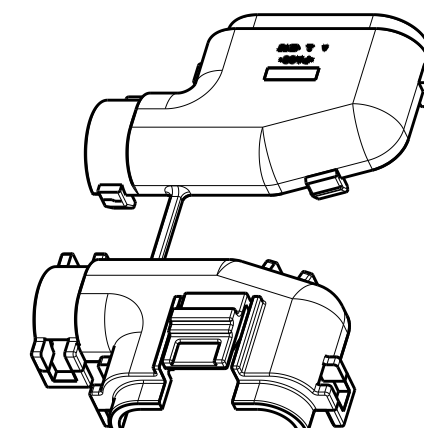
REVISIONS

P	LTR	DESCRIPTION	DATE	DWN	APVD
		SEE SHEET 1			

Ⓐ <1,2-2109570-X>
TYPE B,C



1-2109570-X



Ⓐ 2-2109570-X

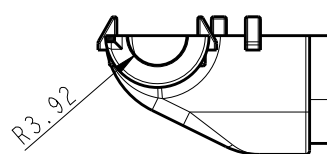
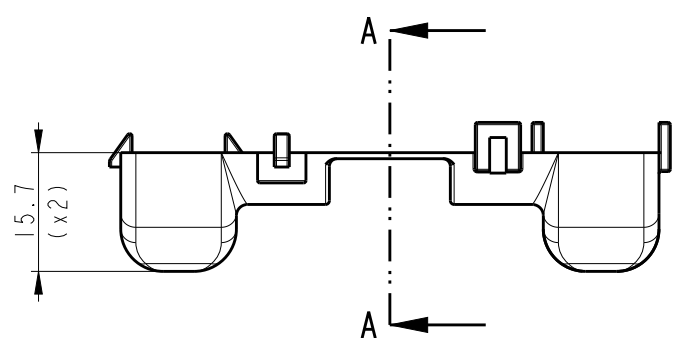
TYPE B 1-2109570-X	TYPE C 2-2109570-X Ⓐ

THIS DRAWING IS A CONTROLLED DOCUMENT.		DWN			
DIMENSIONS: mm		CHK			
TOLERANCES UNLESS OTHERWISE SPECIFIED:		APVD SEE SHEET 1 OF 2		NAME	
0 PLC ±		PRODUCT SPEC		-	
1 PLC ±		APPLICATION SPEC		-	
2 PLC ±		SIZE	CAGE CODE	DRAWING NO	RESTRICTED TO
3 PLC ±		A3	-	C-2109570	
4 PLC ±		WEIGHT		-	
ANGLES ±		CUSTOMER DRAWING		SCALE	SHEET
FINISH		-		1:1	2 OF 3
MATERIAL		-		REV A2	
SHEET 1		-			

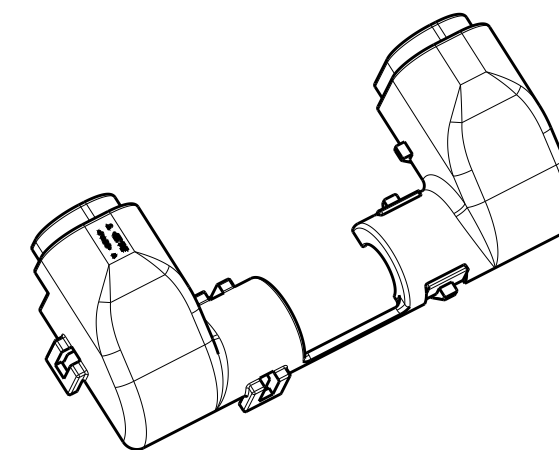
REVISIONS

P	LTR	DESCRIPTION	DATE	DWN	APVD
		SEE SHEET 1			

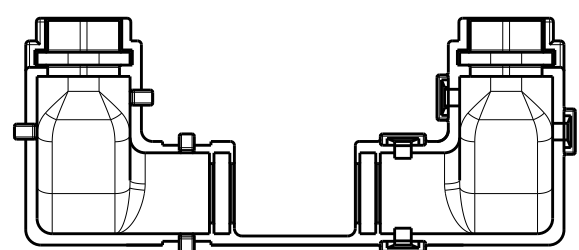
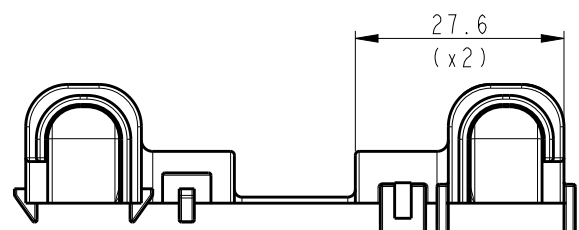
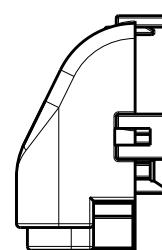
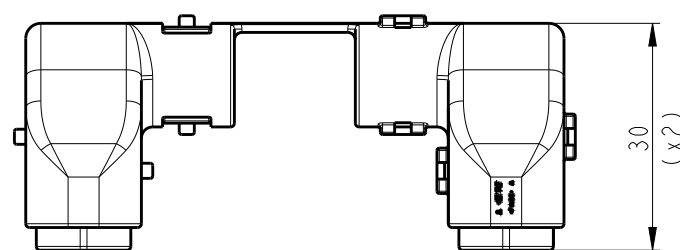
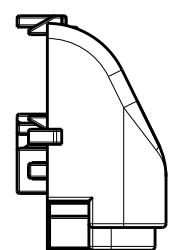
A2 <3,4-2109570-X>
TYPE D,E



SECTION A-A



3D VIEW



TYPE D 3-2109570-X	TYPE E 4-2109570-X

NOTE

1. GENERAL TOLERANCE : ± 0.3 , $\pm 3^\circ$
2. THE MATING PLUG ASS'Y P/N : 2005375-2
2. APPLICABLE CORRUGATE TUBE : $\varnothing 7.0$

THIS DRAWING IS A CONTROLLED DOCUMENT.

DWN

CHK

APVD

PRODUCT SPEC

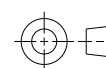
APPLICATION SPEC

WEIGHT

CUSTOMER DRAWING

DIMENSIONS:

mm



TOLERANCES UNLESS OTHERWISE SPECIFIED:

- | | |
|--------|-------|
| 0 PLC | \pm |
| 1 PLC | \pm |
| 2 PLC | \pm |
| 3 PLC | \pm |
| 4 PLC | \pm |
| ANGLES | \pm |

FINISH

SHEET 1

SEE SHEET 1 OF 3



TE Connectivity

NAME

COVER HSG FOR A/F SNSR 5P

SIZE

A3

CAGE CODE

-

DRAWING NO

C-2109570

RESTRICTED TO

SCALE 1:1

SHEET 3 OF 3

REV A2