

2112166-1 ✓ ACTIVE

AMP | LEAVYSEAL

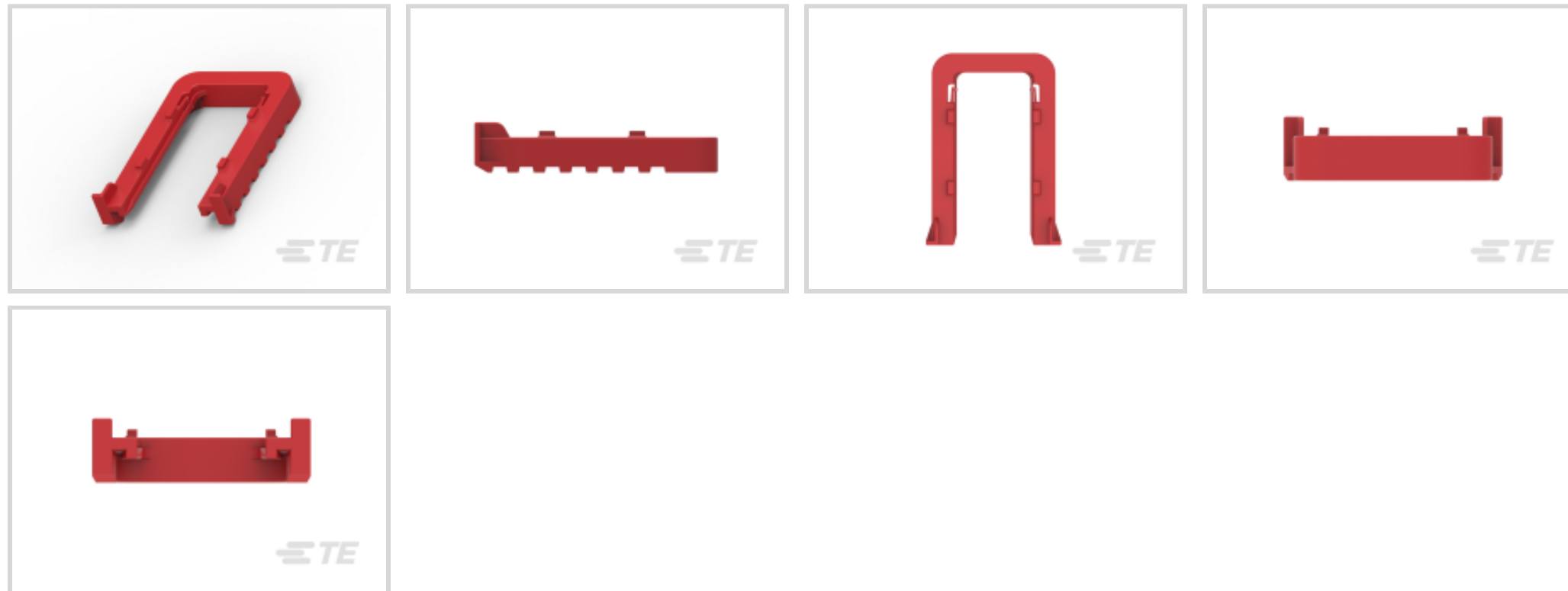
TE Internal #: 2112166-1

Other Automotive Connector Accessories, Mounting Clips, Wire-to-Wire, PA GF, Red, -40 – 130 °C [-40 – 266 °F], LEAVYSEAL

[View on TE.com >](#)



Connectors > Automotive Connectors > Connector Accessories > Other Connector Accessories > LEAVYSEAL LOCKING SLIDES



Automotive Connector Accessory Type: **Mounting Clips**

Connector System: **Wire-to-Wire**

Primary Product Material: **PA GF**

Primary Product Color: **Red**

Operating Temperature Range: **-40 – 130 °C [-40 – 266 °F]**

[All LEAVYSEAL LOCKING SLIDES \(7\)](#)

Features

Product Type Features

Automotive Connector Accessory Type	Mounting Clips
Connector System	Wire-to-Wire

Body Features

Primary Product Material	PA GF
Primary Product Color	Red

Usage Conditions

Compatible With Connector Style	Housing For Male Terminals
Operating Temperature Range	-40 – 130 °C[-40 – 266 °F]

Industry Standards

UL Flammability Rating	UL 94V-0
------------------------	----------

Packaging Features

Packaging Quantity	750
Packaging Method	Box



Other

Serviceable	Yes
-------------	-----

Product Compliance

[For compliance documentation, visit the product page on TE.com>](#)

EU RoHS Directive 2011/65/EU	Compliant
EU ELV Directive 2000/53/EC	Compliant
China RoHS 2 Directive MIIT Order No 32, 2016	No Restricted Materials Above Threshold
EU REACH Regulation (EC) No. 1907/2006	Current ECHA Candidate List: JUNE 2022 (224) Candidate List Declared Against: JUNE 2022 (224) Does not contain REACH SVHC
Halogen Content	BFR/CFR/PVC Free, but Br/Cl >900 ppm in other sources.
Solder Process Capability	Not applicable for solder process capability

Product Compliance Disclaimer

This information is provided based on reasonable inquiry of our suppliers and represents our current actual knowledge based on the information they provided. This information is subject to change. The part numbers that TE has identified as EU RoHS compliant have a maximum concentration of 0.1% by weight in homogenous materials for lead, hexavalent chromium, mercury, PBB, PBDE, DBP, BBP, DEHP, DIBP, and 0.01% for cadmium, or qualify for an exemption to these limits as defined in the Annexes of Directive 2011/65/EU (RoHS2). Finished electrical and electronic equipment products will be CE marked as required by Directive 2011/65/EU. Components may not be CE marked. Additionally, the part numbers that TE has identified as EU ELV compliant have a maximum concentration of 0.1% by weight in homogenous materials for lead, hexavalent chromium, and mercury, and 0.01% for cadmium, or qualify for an exemption to these limits as defined in the Annexes of Directive 2000/53/EC (ELV). Regarding the REACH Regulation, the information TE provides on SVHC in articles for this part number is based on the latest European Chemicals Agency (ECHA) 'Guidance on requirements for substances in articles' posted at this URL: <https://echa.europa.eu/guidance-documents/guidance-on-reach>

Compatible Parts



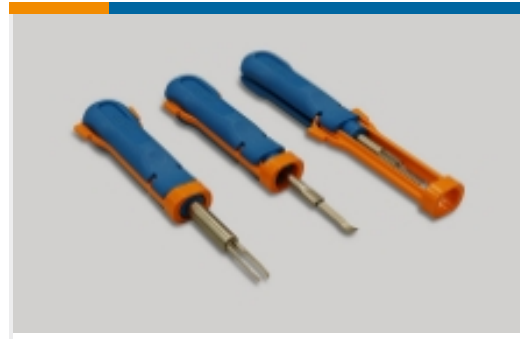
Also in the Series | **LEAVYSEAL**



Automotive Connector Caps & Covers (16)



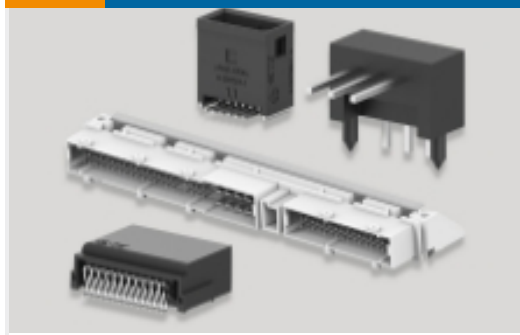
Automotive Housings(64)



Insertion & Extraction Tools(5)

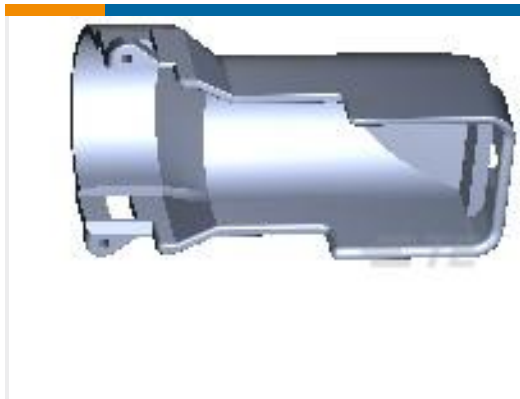


Other Automotive Connector Accessories(15)



PCB Headers & Receptacles(13)

Customers Also Bought



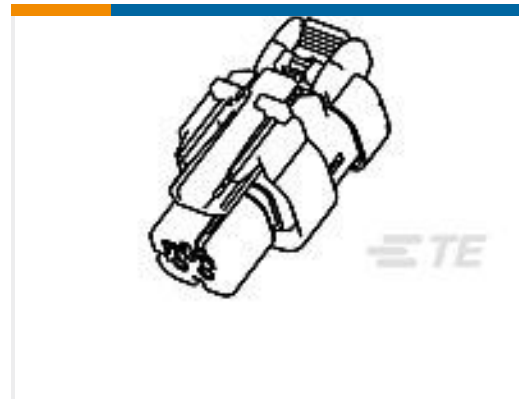
TE Part #9-1394050-1
COVER F.21P REC-HSG



TE Part #132313-1
CONTACT PIN TYPE 2 AWG 18-16



TE Part #1-967628-4
TIMER, CONNECTOR HOUSING



TE Part #776523-2
AS 16, 3P PLUG ASSY, RD, KEY 2



TE Part #2112293-1
PROTECTION CAP, GROUP C, ASSY



TE Part #280311
IS 375 FASTON NYLON

Documents

CAD Files

Customer View Model

[ENG_CVM_CVM_2112166-1_A.2d_dxf.zip](#)

English

3D PDF

3D

Customer View Model

[ENG_CVM_CVM_2112166-1_A.3d_igs.zip](#)



English

Customer View Model

[ENG_CVM_CVM_2112166-1_A.3d_stp.zip](#)

English

By downloading the CAD file I accept and agree to the [Terms and Conditions](#) of use.

Datasheets & Catalog Pages

[CONNECTOR SELECTOR](#)

English

Product Specifications

[Application Specification](#)

German

Product Environmental Compliance

[Product Compliance](#)

English

[Product Compliance](#)

English