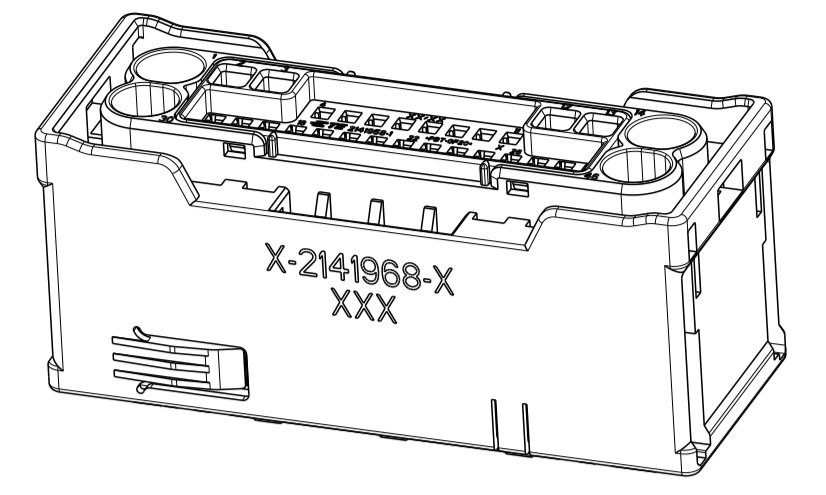
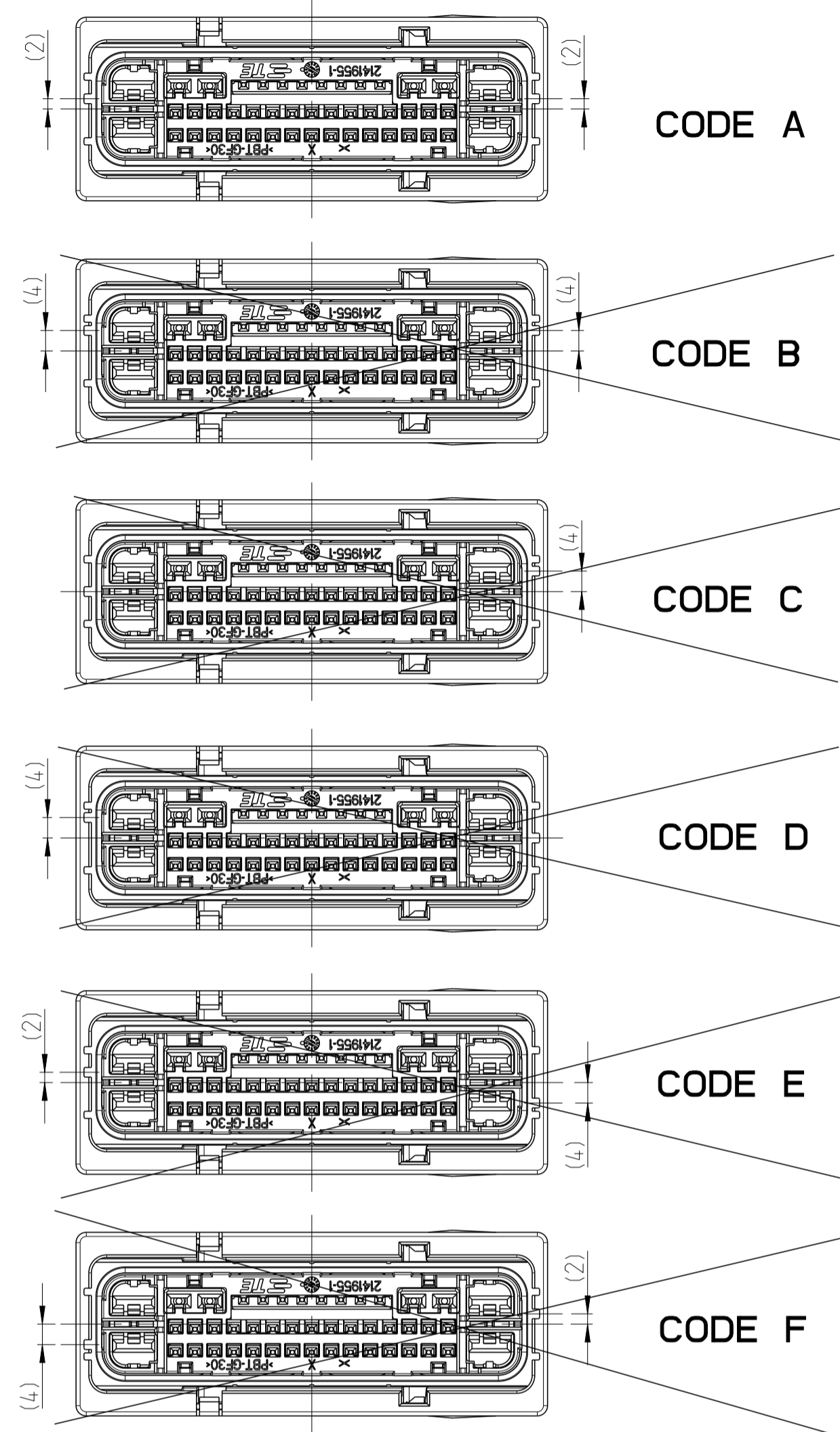
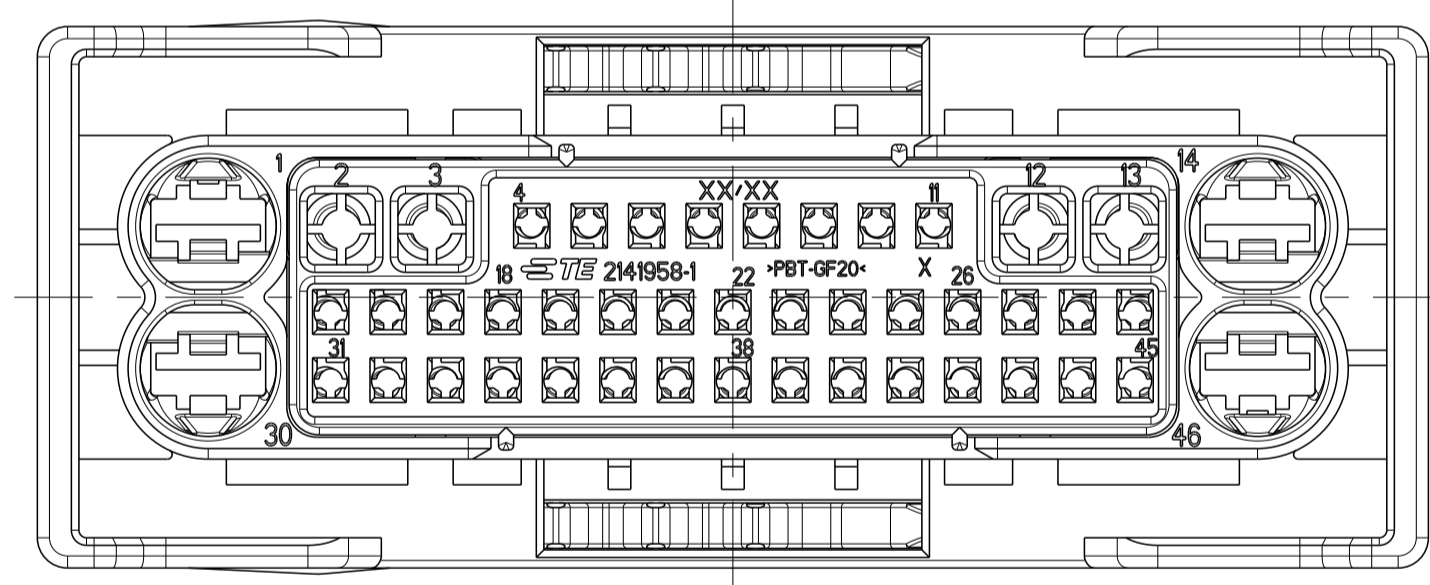
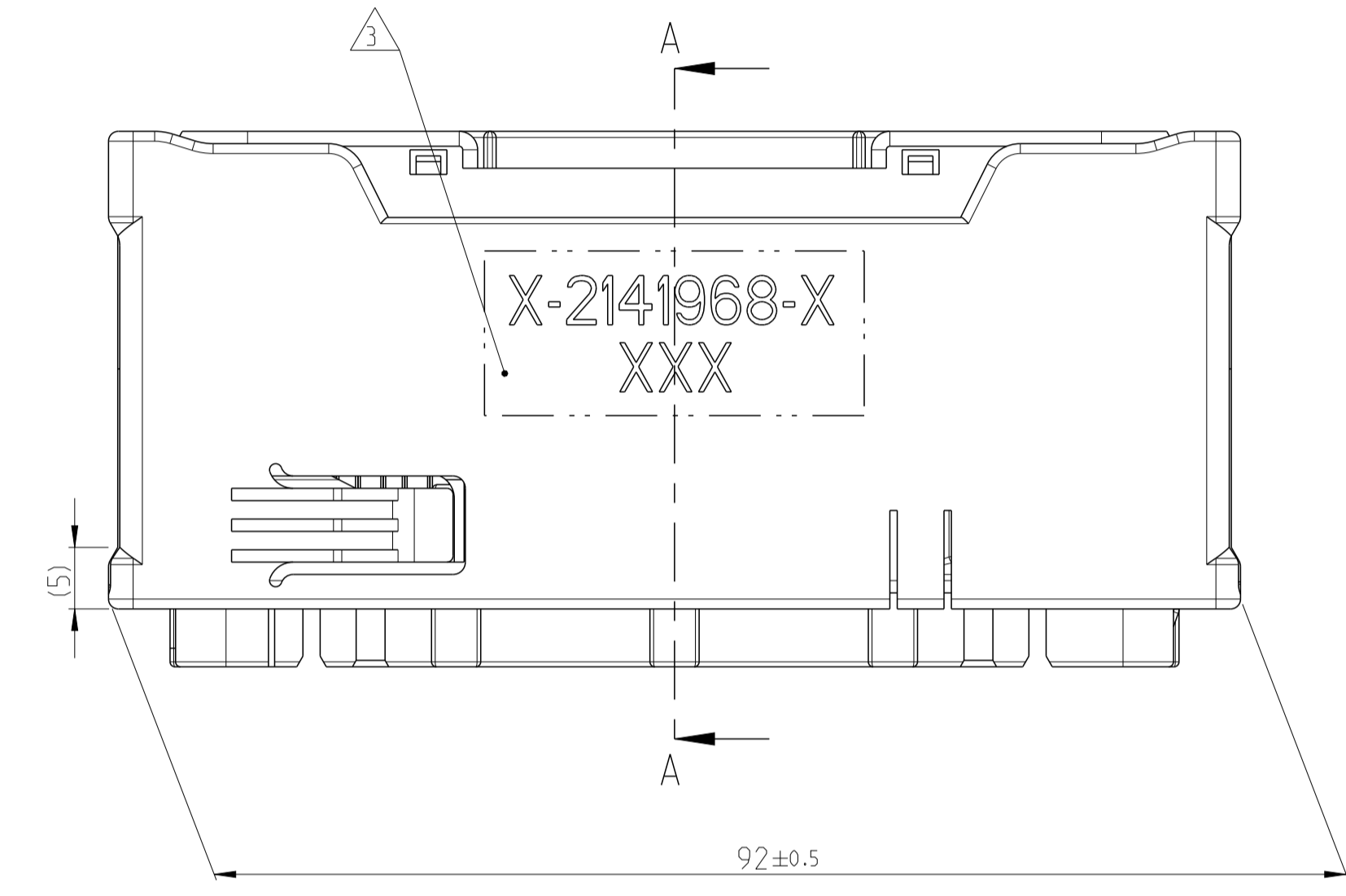
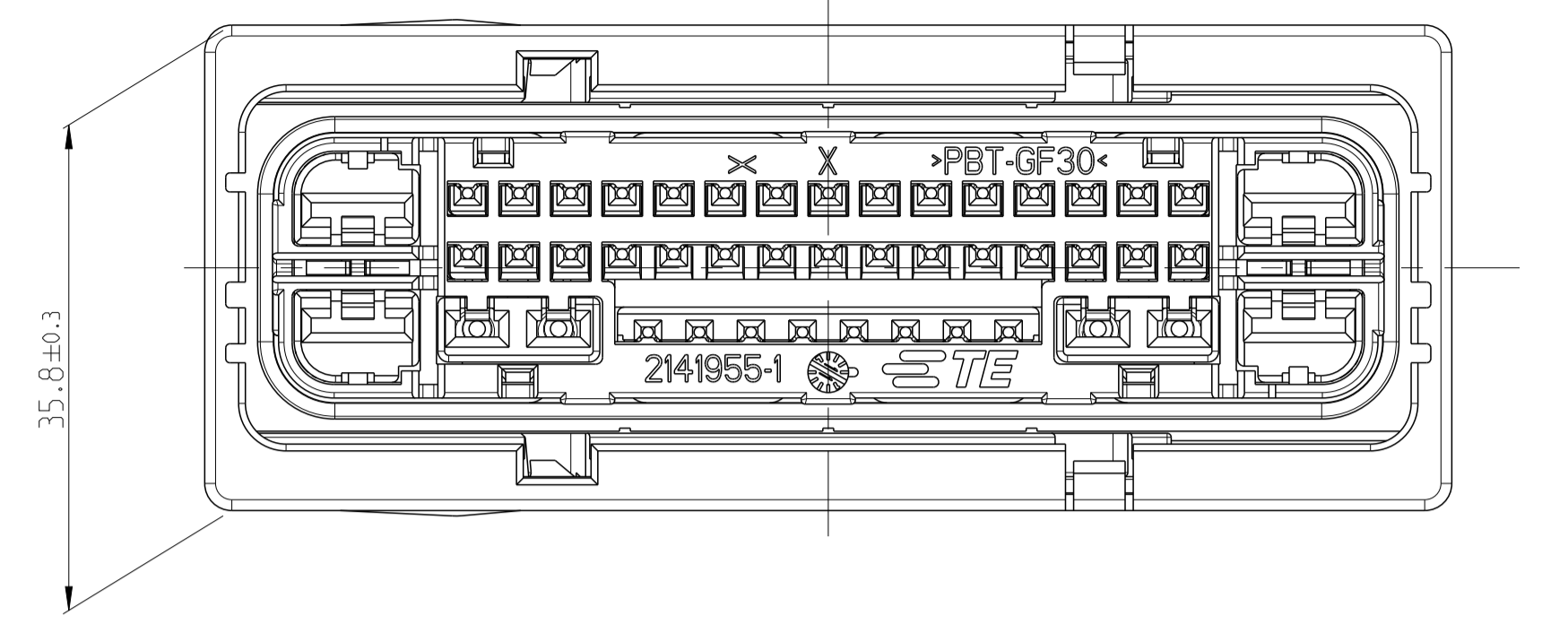
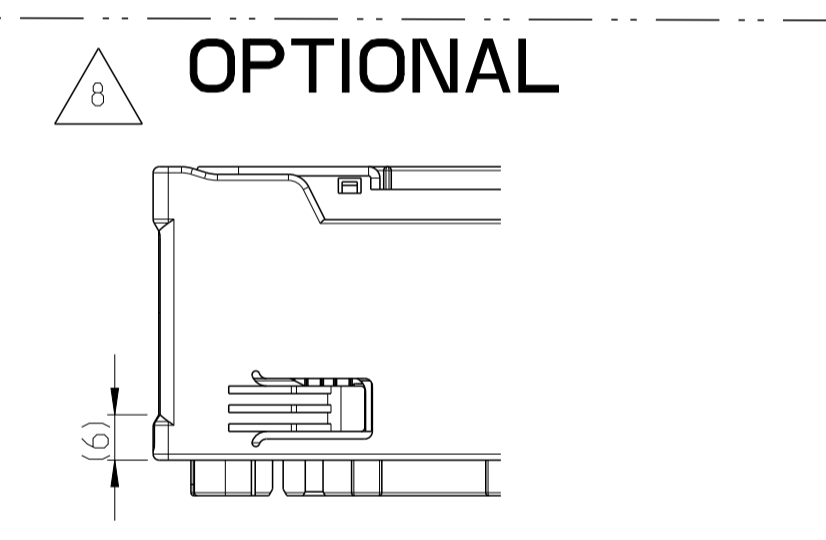
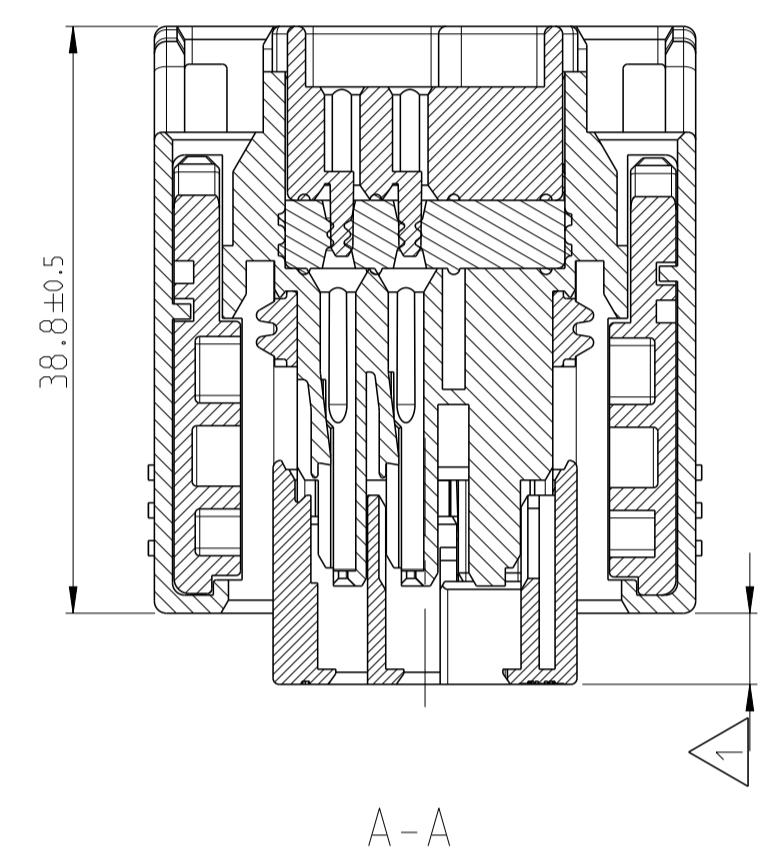


CODING OPTIONS

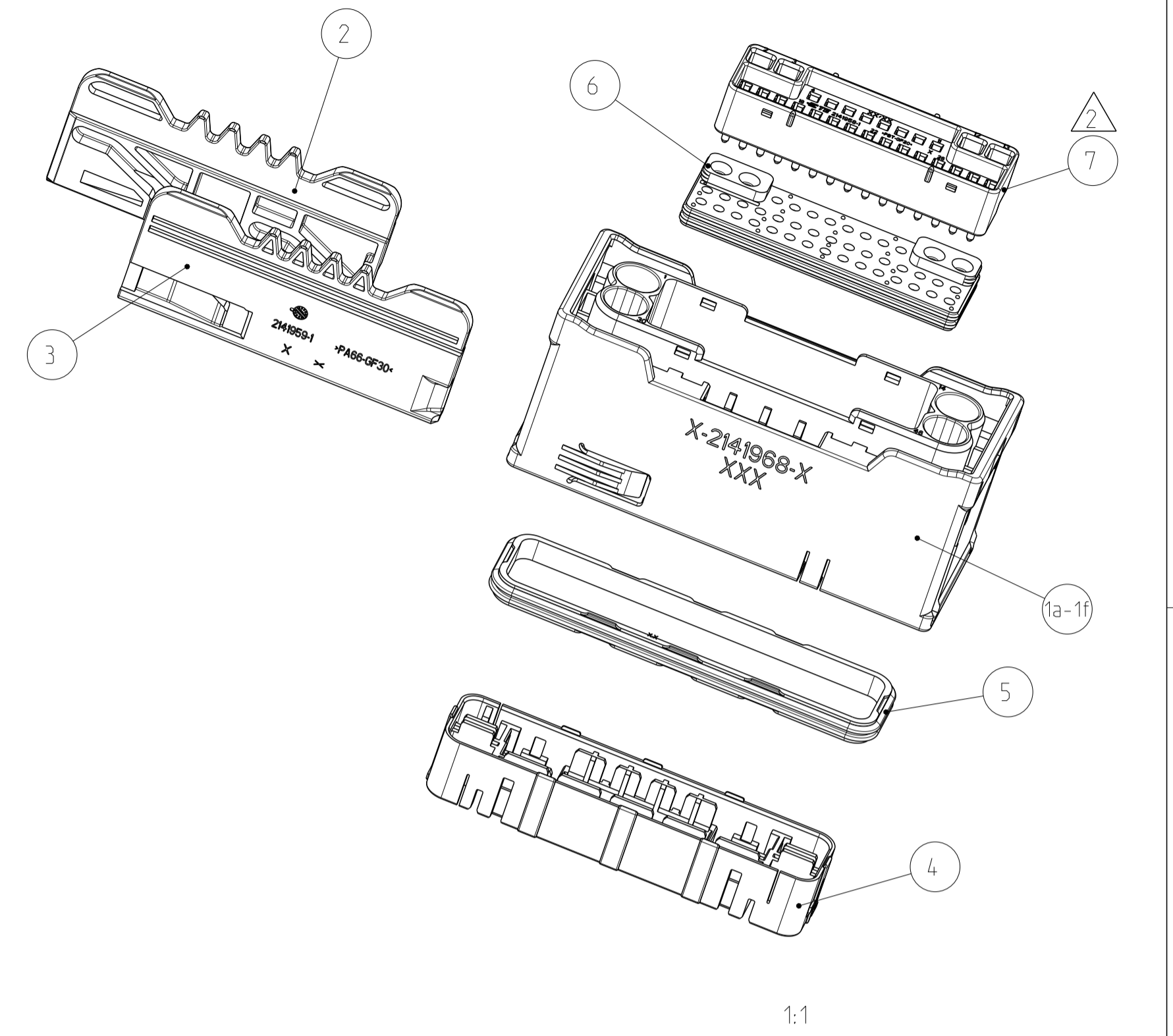
1:1



1:1

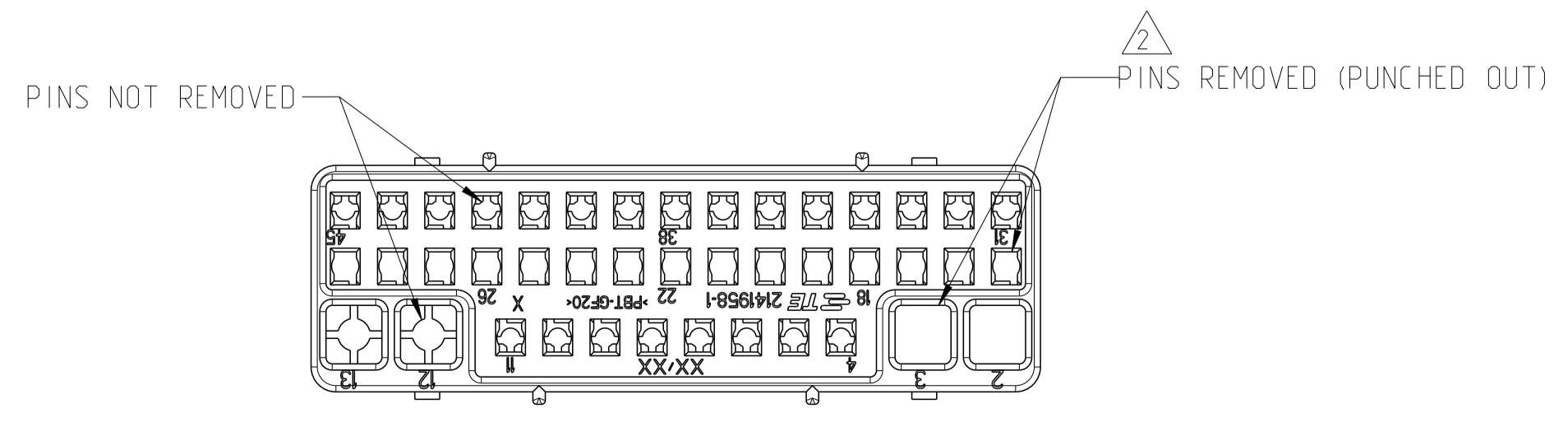


LOC	DIST	REVISIONS					
A1	-	P	LTR	DESCRIPTION	DATE	OWN	APVD
		B14	ECR-17-05-049		02MAY2017	D.D	I.Y
		B15	ECR-17-011655		10AUG2017	V.W	I.Y
		B16	ECR-17-018020		24JAN2018	V.W	I.Y
		B17	ECR-18-012159		08AUG2018	E.Z	I.Y



DESCRIPTION	APPLICABLE COMPONENTS BOX				TE APPL. SPEC. TE PROD. SPEC.	APPL. CONTACT CAVITY NUMBER
	PLATING / COLOUR	SUPPLIER	SUPPLIER PART NO. (WIRE SIZE)	TE APPL. SPEC. TE PROD. SPEC.		
0.64 GENERATION Y UNSEALED FEMALE TERMINAL	TIN	TE	2098753-6	114-13183	4-11, 15-29, 31-45	
0.64 GENERATION Y UNSEALED FEMALE TERMINAL	TIN	TE	2098753-5	114-13183	4-11, 15-29, 31-45	
2.8 UNSEALED FEMALE TERMINAL	TIN	FCI	54002231 (AWG 22)	-	2, 3, 12, 13	
2.8 UNSEALED FEMALE TERMINAL	TIN	FCI	54001431 (AWG 14)	-	2, 3, 12, 13	
2.8 UNSEALED FEMALE TERMINAL	TIN	FCI	54001839 (AWG 18)	-	2, 3, 12, 13	
6.3 SEALED FEMALE TERMINAL	TIN	YAZAKI	7116-4140-02 (0.5-1.0mm ²)	-	1, 14, 30, 46	
6.3 SEALED FEMALE TERMINAL	TIN	YAZAKI	7116-4141-02 (1.5mm ²)	-	1, 14, 30, 46	
6.3 SEALED FEMALE TERMINAL	TIN	YAZAKI	7116-4142-02 (2.5-4.0mm ²)	-	1, 14, 30, 46	
6.3 SEALED FEMALE TERMINAL	TIN	YAZAKI	7116-4143-02 (AWG 10)	-	1, 14, 30, 46	
WIRE SEAL FOR 6.3 TERMINAL (SMALL)	RED	YAZAKI	7158-3081-50	-	-	
WIRE SEAL FOR 6.3 TERMINAL (MEDIUM)	BLUE	YAZAKI	7158-3082-90	-	-	
WIRE SEAL FOR 6.3 TERMINAL (LARGE)	BLACK	YAZAKI	7158-3083	-	-	
WIRE SEAL FOR 6.3 TERMINAL (X-LARGE)	LIGHT GREY	YAZAKI	X39858-AA00	-	-	
PLUG FOR 6.3 TERMINAL	GREEN	YAZAKI	7158-3080-60	-	1, 14, 30, 46	
WIRE COVER	BLACK	TE	2141969-17-2	114-94044	-	

MAT SEAL COVER PINOUT CONFIGURATION EXAMPLE



NOTES BEMERKUNGEN

- 1 DELIVERY CONDITION: SPACER (TPA) IN PRE-LOCK POSITION
- 2 APPROPRIATE PINOUT CONFIGURATION OF THE MAT SEAL COVER ACC. TABLE ON SHEET 2 TO BE PUNCHED OUT BEFORE ASSEMBLING THE MAT SEAL COVER
- 3 A THREE DIGIT MARKING AND THE TE CONNECTIVITY PART NUMBER ACC. PINOUT TABLE ON SHEET 2 LOCATED ON THE SIDE OF THE FEMALE HOUSING
- 4 PART MUST MATE WITH TE CONNECTIVITY INTERFACE SPECIFICATION 114-94025
- 5 SEALING FUNCTION OF THE MAT SEAL REQUIRES THE FOLLOWING WIRE SIZE DIMENSIONS:
 0.35mm²-0.75mm² WITH CABLE OUTER DIAMETER 1.2-1.9mm FOR 0.64mm GENERATION Y SIGNAL TERMINALS
 1.0mm²-4.0mm² WITH CABLE OUTER DIAMETER 1.9-3.7mm FOR FCI APEX 2.8mm POWER TERMINALS
- 6 ONLY FOR INFORMATION. CHECK LATEST REVISION OF THE SUPPLIER SPECIFICATION FOR TERMINAL PROPERTIES
- 7 MATING INTERFACE ACCORDING TE SPECIFICATION 114-94025
- 8 OPTIONAL DIMENSIONS CAN BE 5mm and 6mm

QTY REQUESTED PER ASSEMBLY	PARTS LIST
1	PBT-GF20 MAT SEAL COVER BLACK RAL 9011 7
1	SILICONE MAT SEAL LIGHT BLUE 6
1	SILICONE PERIPHERAL SEAL LIGHT BLUE 5
1	PBT-GF30 SPACER (TPA) RED RAL 3000 4
1	PA66-GF30 SLIDER LEFT BLACK RAL 9011 3
1	PA66-GF30 SLIDER RIGHT BLACK RAL 9011 2
1	PBT-GF20 HOUSING, CODE F BLACK RAL 9011 1f
1	PBT-GF20 HOUSING, CODE E BLACK RAL 9011 1e
1	PBT-GF20 HOUSING, CODE D BLACK RAL 9011 1d
1	PBT-GF20 HOUSING, CODE C BLACK RAL 9011 1c
1	PBT-GF20 HOUSING, CODE B BLACK RAL 9011 1b
1	PBT-GF20 HOUSING, CODE A BLACK RAL 9011 1a
1	X-2141968-X MATERIAL DESCRIPTION COLOUR ITEM NO.
85	REVISION OF EACH ASSEMBLY NUMBER WEIGHT OF EACH ASSEMBLY NUMBER (g)

THIS DRAWING IS A CONTROLLED DOCUMENT. OWN: G. HQ/TEA 25MAY2011 CHM: H. RIPPER 25MAY2011 APVD: G. MUMMER 25MAY2011

TE Connectivity

ASSEMBLY 46WAY ABS CONNECTOR

SIZE: 114-94044 CAGE CODE: 00779 DRAWING NO: A1 ©=2141968

RESTRICTED TO: -

Customer Drawing SCALE: 5:1 SHEET: 1 of 2 REV: 817

