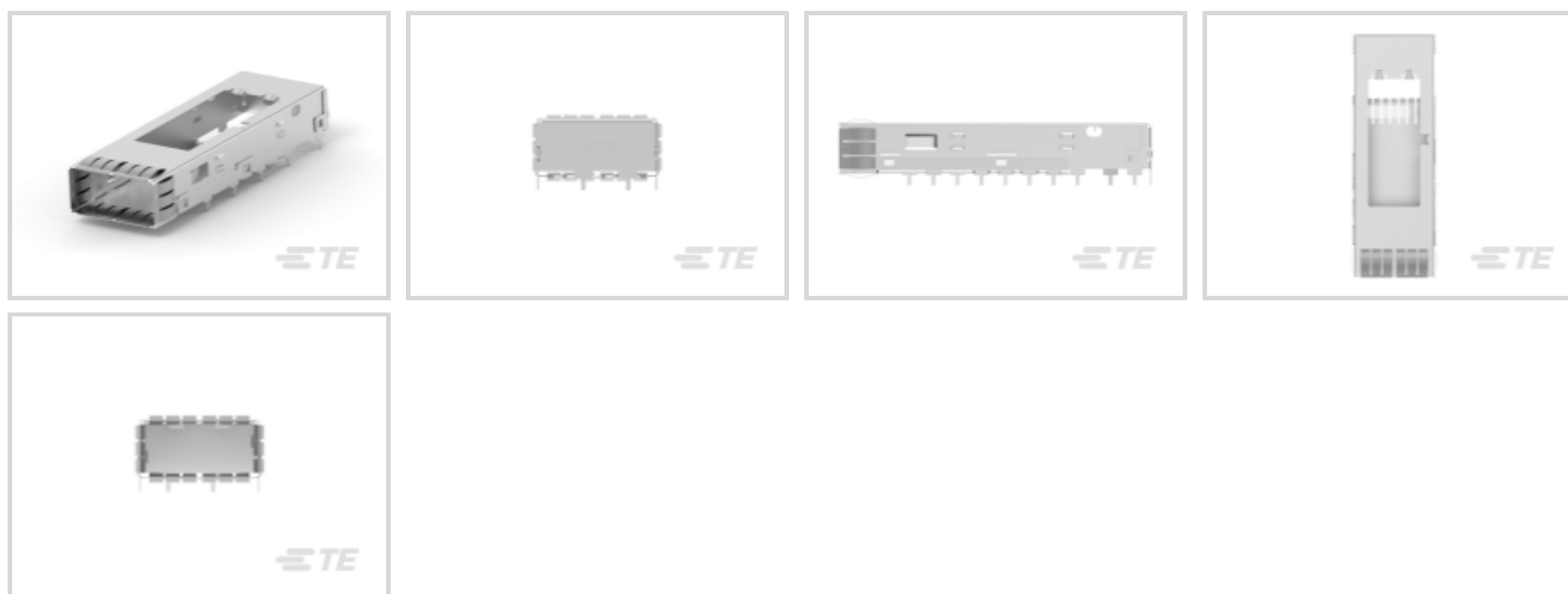




TE Internal #: 2170322-2  
 QSFP, QSFP+ & zQSFP+, Cage Assembly, 1 x 1, Data Rate (Max) 10 Gb/s, 1 Port, None, 2 Rear EONs per Port Column, Cable-to-Board, Printed Circuit Board

[View on TE.com >](#)

Connectors > Pluggable IO Connectors & Cages > QSFP, QSFP+ & zQSFP+



Pluggable I/O Product Type: **Cage Assembly**

Port Matrix Configuration: **1 x 1**

Included Lightpipe: **No**

Data Rate (Max): **10 Gb/s**

Number of Ports: **1**

## Features

### Product Type Features

|                                   |                       |
|-----------------------------------|-----------------------|
| Form Factor                       | QSFP                  |
| Cage Type                         | Single                |
| Pluggable I/O Product Type        | Cage Assembly         |
| Connector System                  | Cable-to-Board        |
| Sealable                          | No                    |
| Connector & Contact Terminates To | Printed Circuit Board |

### Configuration Features

|                                     |       |
|-------------------------------------|-------|
| Port Matrix Configuration           | 1 x 1 |
| Number of Ports                     | 1     |
| Lightpipe Configuration             | None  |
| Number of Rear EONs per Port Column | 2     |

### Electrical Characteristics

|                 |         |
|-----------------|---------|
| Data Rate (Max) | 10 Gb/s |
|-----------------|---------|

### Termination Features

|  |  |
|--|--|
|  |  |
|--|--|



|   |                       |
|---|-----------------------|
| Termination Method to Printed Circuit Board | Through Hole - Solder |
|---|-----------------------|

### Mechanical Attachment

|                         |             |
|-------------------------|-------------|
| Connector Mounting Type | Board Mount |
|-------------------------|-------------|

### Housing Features

|               |              |
|---------------|--------------|
| Cage Material | Copper Alloy |
|---------------|--------------|

### Usage Conditions

|                             |                            |
|-----------------------------|----------------------------|
| Operating Temperature Range | -55 – 105 °C[-67 – 221 °F] |
|-----------------------------|----------------------------|

### Operation/Application

|                     |        |
|---------------------|--------|
| Circuit Application | Signal |
|---------------------|--------|

### Packaging Features

|                  |      |
|------------------|------|
| Packaging Method | Tray |
|------------------|------|

### Other

|                    |    |
|--------------------|----|
| Included Lightpipe | No |
|--------------------|----|

## Product Compliance

[For compliance documentation, visit the product page on TE.com>](#)

|                              |           |
|------------------------------|-----------|
| EU RoHS Directive 2011/65/EU | Compliant |
|------------------------------|-----------|

|                             |           |
|-----------------------------|-----------|
| EU ELV Directive 2000/53/EC | Compliant |
|-----------------------------|-----------|

|   |   |
|---|---|
| China RoHS 2 Directive MIIT Order No 32, 2016 | No Restricted Materials Above Threshold |
|---|---|

|  |  |
|--|--|
| EU REACH Regulation (EC) No. 1907/2006 | Current ECHA Candidate List: JUNE 2022 (224)<br>Candidate List Declared Against: JAN 2021 (211)<br>SVHC > Threshold:<br>Not Yet Reviewed |
|--|--|

|                 |   |
|-----------------|---|
| Halogen Content | Low Halogen - Br, Cl, F, I < 900 ppm per homogenous material. Also BFR/CFR/PVC Free |
|-----------------|---|

|                           |                              |
|---------------------------|------------------------------|
| Solder Process Capability | Wave solder capable to 265°C |
|---------------------------|------------------------------|

#### Product Compliance Disclaimer

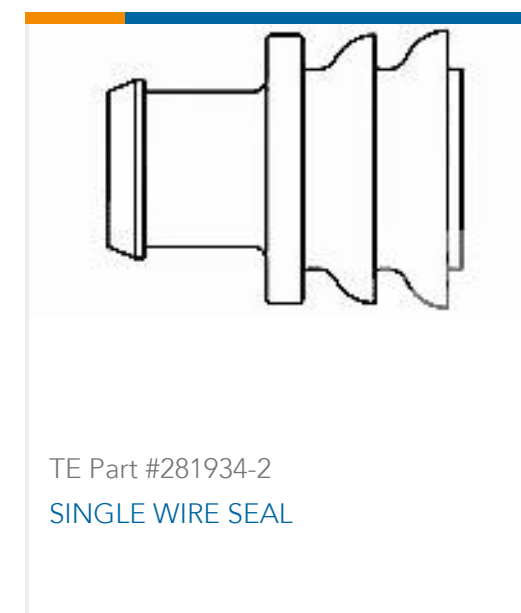
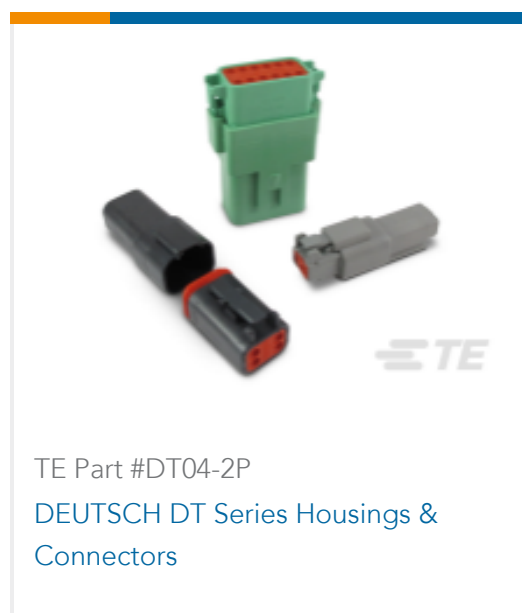
This information is provided based on reasonable inquiry of our suppliers and represents our current actual knowledge based on the information they provided. This information is subject to change. The part numbers that TE has identified as EU RoHS compliant have a maximum concentration of 0.1% by weight in homogenous materials for lead, hexavalent chromium, mercury, PBB, PBDE, DBP, BBP, DEHP, DIBP, and 0.01% for cadmium, or qualify for an exemption to these limits as defined in the Annexes of Directive 2011/65/EU (RoHS2). Finished electrical and electronic equipment products will be CE marked as required by Directive 2011/65/EU. Components may not be CE marked. Additionally, the part numbers that TE has identified as EU ELV compliant have a maximum concentration of 0.1% by weight in homogenous materials for lead, hexavalent chromium, and mercury, and 0.01% for cadmium, or qualify for an exemption to these limits

as defined in the Annexes of Directive 2000/53/EC (ELV). Regarding the REACH Regulation, the information TE provides on SVHC in articles for this part number is based on the latest European Chemicals Agency (ECHA) 'Guidance on requirements for substances in articles' posted at this URL: <https://echa.europa.eu/guidance-documents/guidance-on-reach>

## Compatible Parts



## Customers Also Bought



## Documents

### Product Drawings

QSFP 1X1 CAGE, SOLDER, WITH HS OPENING

English

### CAD Files

3D PDF

3D

Customer View Model

[ENG\\_CVM\\_CVM\\_2170322-2\\_A.2d\\_dxf.zip](#)

English

Customer View Model



[ENG\\_CVM\\_CVM\\_2170322-2\\_A.3d\\_igs.zip](#)

English

**Customer View Model**

[ENG\\_CVM\\_CVM\\_2170322-2\\_A.3d\\_stp.zip](#)

English

By downloading the CAD file I accept and agree to the [Terms and Conditions](#) of use.

---

### Product Specifications

[Application Specification](#)

English

[Application Specification](#)

English

---

### Product Environmental Compliance

[Product Compliance](#)

English

[Product Compliance](#)

English