

213845-1 ✓ ACTIVE

AMP | AMP POWERBAND

TE Internal #: 213845-1

Power Contacts, Contact, 600 VAC, 600 VDC, Silver, 14 – 12 AWG

Wire Size, 2 – 3 mm² Wire Size, Wire-to-Wire, 1 Position, Wire & Cable, AMP POWERBAND

[View on TE.com >](#)



Connectors > Power Connectors > Power Contacts > POWERBAND CONTACTS



Power Contact Type: **Contact**

Operating Voltage: **600 VDC**

Contact Mating Area Plating Material: **Silver**

Wire Size: **14 – 12 AWG**

[All POWERBAND CONTACTS \(20\)](#)

Features

Product Type Features

Power Contact Type	Contact
Connector System	Wire-to-Wire
Sealable	No
Connector & Contact Terminates To	Wire & Cable

Configuration Features

Number of Positions	1
---------------------	---

Electrical Characteristics

Test Current	50 A
Operating Voltage	600 VDC

Contact Features

Contact Mating Area Plating Material	Silver
Contact Current Rating (Max)	50 A
Contact Type	Pin



Contact Retention Within Housing	With
Mating Pin Diameter	3.18 mm[.125 in]
Contact Base Material	Copper
Contact Mating Area Plating Material Thickness	5.08 μm[200 μin]
Contact Mating Area Plating Material Finish	Semi-Bright
Wire Contact Termination Area Plating Thickness	1.27 μm[50 μin]
Wire Contact Termination Area Plating Material	Silver
Wire Contact Termination Area Plating Material Finish	Semi-Bright
Contact Orientation	Straight
Contact Underplating Material	Nickel
Contact Underplating Material Thickness	1.27 μm[50 μin]
Contact Size	8

Termination Features

Termination Method to Wire & Cable	Crimp
------------------------------------	-------

Mechanical Attachment

Wire Insulation Support	Without
-------------------------	---------

Dimensions

Wire Size	2 – 3 mm ²
-----------	-----------------------

Usage Conditions

Operating Temperature Range	-55 – 105 °C[-67 – 221 °F]
-----------------------------	----------------------------

Operation/Application

Circuit Application	Power
---------------------	-------

Packaging Features

Packaging Method	Reel
Packaging Quantity	1500

Other

For Use With	CPC Connectors
--------------	----------------

Product Compliance

[For compliance documentation, visit the product page on TE.com>](#)

EU RoHS Directive 2011/65/EU	Compliant
EU ELV Directive 2000/53/EC	Compliant




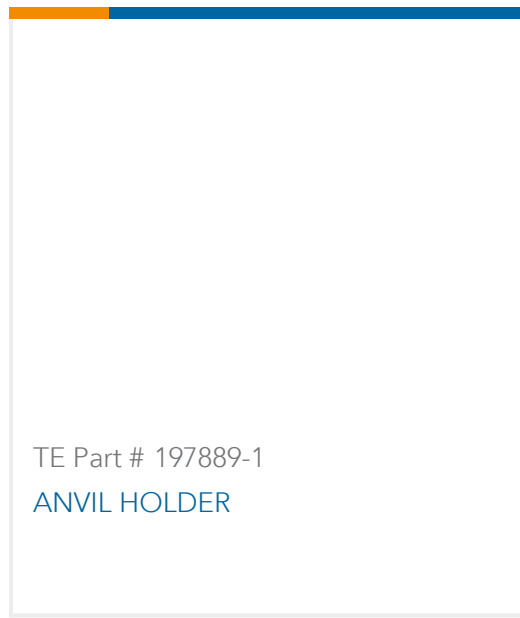
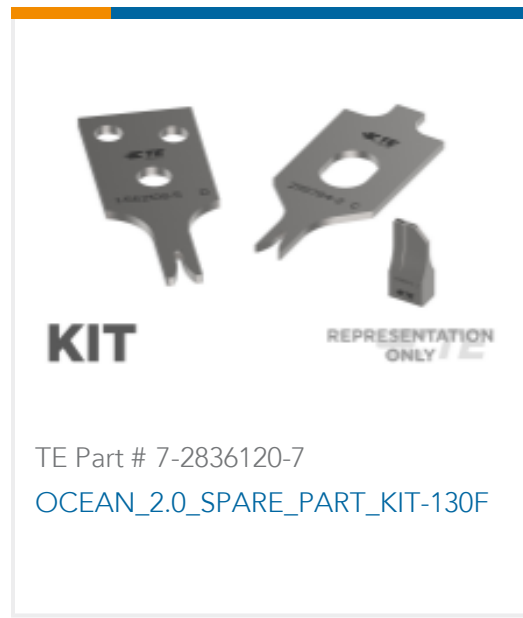
China RoHS 2 Directive MIIT Order No 32, 2016	No Restricted Materials Above Threshold
EU REACH Regulation (EC) No. 1907/2006	Current ECHA Candidate List: JUNE 2022 (224) Candidate List Declared Against: JUNE 2022 (224) Does not contain REACH SVHC
Halogen Content	Low Halogen - Br, Cl, F, I < 900 ppm per homogenous material. Also BFR/CFR/PVC Free
Solder Process Capability	Not applicable for solder process capability

Product Compliance Disclaimer

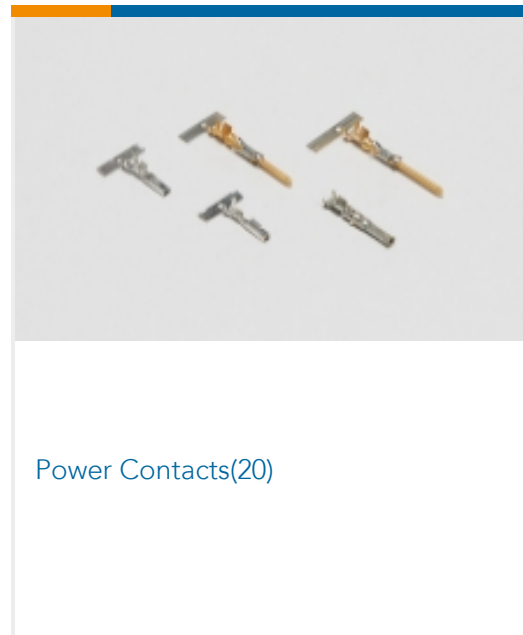
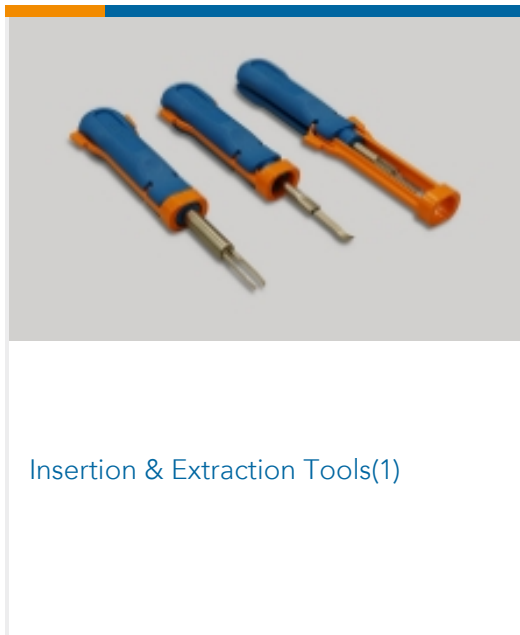
This information is provided based on reasonable inquiry of our suppliers and represents our current actual knowledge based on the information they provided. This information is subject to change. The part numbers that TE has identified as EU RoHS compliant have a maximum concentration of 0.1% by weight in homogenous materials for lead, hexavalent chromium, mercury, PBB, PBDE, DBP, BBP, DEHP, DIBP, and 0.01% for cadmium, or qualify for an exemption to these limits as defined in the Annexes of Directive 2011/65/EU (RoHS2). Finished electrical and electronic equipment products will be CE marked as required by Directive 2011/65/EU. Components may not be CE marked. Additionally, the part numbers that TE has identified as EU ELV compliant have a maximum concentration of 0.1% by weight in homogenous materials for lead, hexavalent chromium, and mercury, and 0.01% for cadmium, or qualify for an exemption to these limits as defined in the Annexes of Directive 2000/53/EC (ELV). Regarding the REACH Regulation, the information TE provides on SVHC in articles for this part number is based on the latest European Chemicals Agency (ECHA) 'Guidance on requirements for substances in articles' posted at this URL: <https://echa.europa.eu/guidance-documents/guidance-on-reach>

Compatible Parts

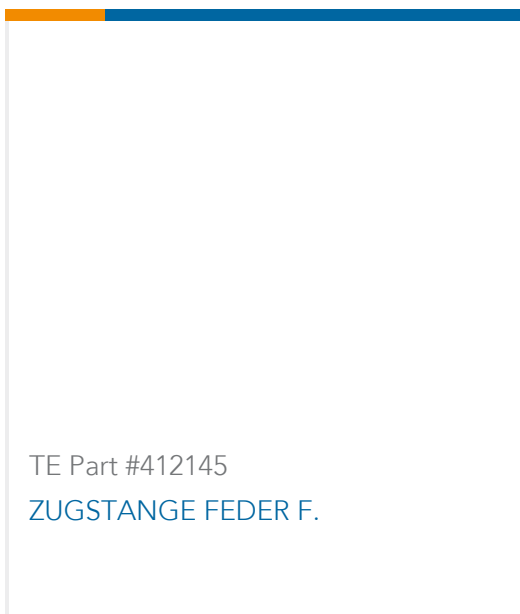
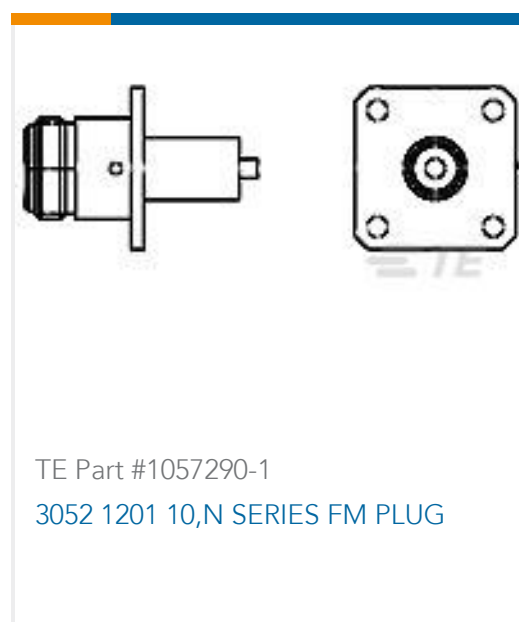
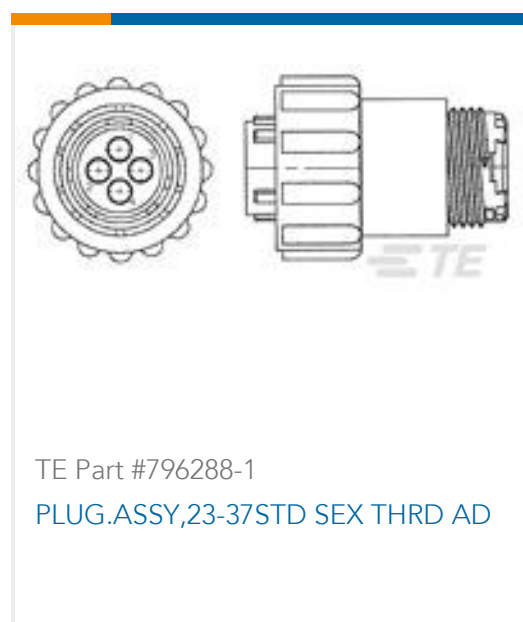
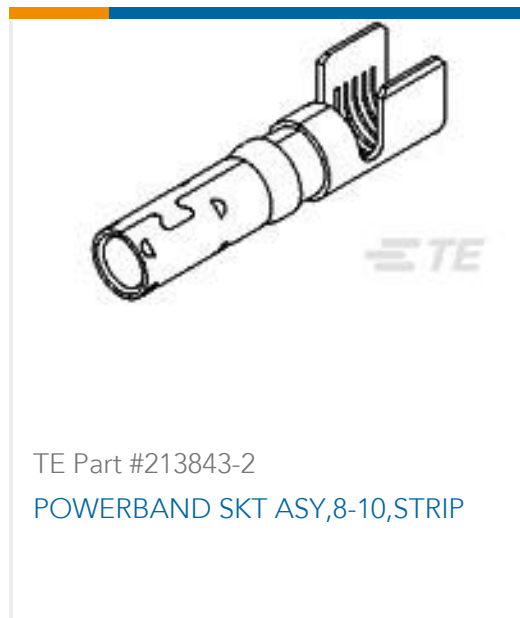
 <p>TE Part # CAT-AM71-C83998K CPC SERIES 6</p>	 <p>TE Part # CAT-AM71-C83998U CPC SERIES 5</p>	 <p>TE Part # 213906-1 CPC PLUG ASSY,SRS 6,SZ 17-10</p>	 <p>TE Part # 318813-1 EXTRACTION TOOL ASSY</p>
 <p>TE Part # 213899-1 CPC SEAL ASSY KIT,SRS 5,17-3</p>	 <p>TE Part # 213900-1 CPC SEAL ASSY KIT,SRS 6,17-10</p>	 <p>TE Part # 2-2836120-2 OCEAN-2.0-APPLICATOR-S-130FA</p>	 <p>TE Part # 2836120-2 OCEAN-2.0-APPLICATOR-S-130FA</p>



Also in the Series | **AMP POWERBAND**



Customers Also Bought





Documents

Product Drawings

[POWERBAND CONT ASSY,SILVER PLT](#)

English

CAD Files

[3D PDF](#)

English

Customer View Model

[ENG_CVM_213845-1_B.3d_igs.zip](#)

English

Customer View Model

[ENG_CVM_213845-1_B.3d_stp.zip](#)

English

Customer View Model

[ENG_CVM_213845-1_B.2d_dxf.zip](#)

English

[3D PDF](#)

3D

Customer View Model

[ENG_CVM_CVM_213845-1_F.2d_dxf.zip](#)

English

Customer View Model

[ENG_CVM_CVM_213845-1_F.3d_igs.zip](#)

English

Customer View Model

[ENG_CVM_CVM_213845-1_F.3d_stp.zip](#)

English

By downloading the CAD file I accept and agree to the [Terms and Conditions](#) of use.

Datasheets & Catalog Pages

[AMP Circular Connectors for Commercial Signal & Power Applications](#)

English

[Power Contacts](#)

English

[METRIMATE_PIN_SOCKET_CATALOG](#)

English

Product Specifications

[Application Specification](#)

English

Product Environmental Compliance

[TE Material Declaration](#)

English



[Agency Approvals](#)

[Agency Approval Document](#)

English