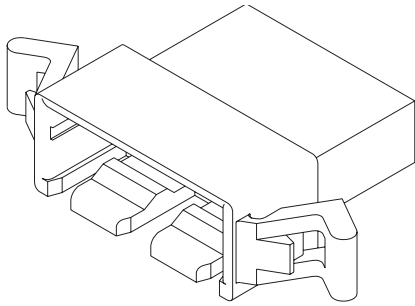


# 2.50mm (.098") Pitch SPOX™ Wire-to-Wire Plug Housing 5240



### Features and Benefits

- Sizes 2 to 12 circuits
- With and without mounting ears

### Reference Information

Packaging: Bag  
 UL File No.: E29179  
 CSA File No.: LR19980  
 Mates With: 5102-N and 51191 housings  
 Use With: 5241 terminals  
 Designed In: Millimeters

### Electrical

Voltage: 250V  
 Current:

AWG	22	24	26	28
	3.0A	2.5A	2.0A	1.5A

Contact Resistance: 20 milliohms max.  
 Dielectric Withstanding Voltage: 1000V AC/1 min.  
 Insulation Resistance: 1000 Megohms min.

### Physical

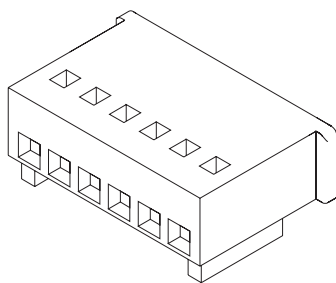
Housing: 6/6 nylon, UL 94V-0  
 Operating Temperature: -40 to +105°C

Circuits	Order No.	
	With Ears	Without Ears
2	<a href="#">29-11-0022</a>	<a href="#">29-11-0023</a>
3	<a href="#">29-11-0032</a>	<a href="#">29-11-0033</a>
4	<a href="#">29-11-0042</a>	<a href="#">29-11-0043</a>
5	<a href="#">29-11-0052</a>	<a href="#">29-11-0053</a>
6	<a href="#">29-11-0062</a>	<a href="#">29-11-0063</a>
7	<a href="#">29-11-0072</a>	<a href="#">29-11-0073</a>

Circuits	Order No.	
	With Ears	Without Ears
8	<a href="#">29-11-0082</a>	<a href="#">29-11-0083</a>
9	<a href="#">29-11-0092</a>	<a href="#">29-11-0093</a>
10	<a href="#">29-11-0102</a>	<a href="#">29-11-0103</a>
11	<a href="#">29-11-0112</a>	<a href="#">29-11-0113</a>
12	<a href="#">29-11-0122</a>	<a href="#">29-11-0123</a>

[www.molex.com/product/spox.html](http://www.molex.com/product/spox.html)

# 2.50mm (.098") Pitch SPOX™ Wire-to-Board Crimp Terminal Housing 5102-N



### Features and Benefits

- Sizes 2 to 20 circuits
- Low profile
- Molded pull tab
- Friction lock

### Reference Information

Packaging: Bag  
 UL File No.: E29179  
 CSA File No.: LR19980  
 Mates With: 5045-NA and 5046-NA  
 Use With: 5103 terminals  
 Designed In: Millimeters

### Electrical

Voltage: 250V  
 Current:

AWG	22	24	26	28
	3.0A	2.5A	2.0A	1.5A

Contact Resistance: 20 milliohms max.  
 Dielectric Withstanding Voltage: 1000V AC/1 min.  
 Insulation Resistance: 1000 Megohms min.

### Physical

Housing: 6/6 nylon, UL 94V-0  
 Operating Temperature: -40 to +105°C

Circuits	Order No.
2	<a href="#">22-01-1024</a>
3	<a href="#">22-01-1034</a>
4	<a href="#">22-01-1044</a>
5	<a href="#">22-01-1054</a>
6	<a href="#">22-01-1064</a>
7	<a href="#">22-01-1074</a>
8	<a href="#">22-01-1084</a>
9	<a href="#">22-01-1094</a>
10	<a href="#">22-01-1104</a>
11	<a href="#">22-01-1114</a>

Circuits	Order No.
12	<a href="#">22-01-1124</a>
13	<a href="#">22-01-1134</a>
14	<a href="#">22-01-1144</a>
15	<a href="#">22-01-1154</a>
16	<a href="#">22-01-1164</a>
17	<a href="#">22-01-1174</a>
18	<a href="#">22-01-1184</a>
19	<a href="#">22-01-1194</a>
20	<a href="#">22-01-1204</a>