



Terminals & Splices > Quick Disconnects



Quick Disconnect Terminal Type: **Receptacle**

Wire Size: 1.31 – 3.31 mm²

Mating Tab Width: 6.35 mm [.25 in]

Mating Tab Thickness: .81 mm [.032 in]

Features

Product Type Features

Terminates To	Wire & Cable
Wire/Cable Type	Regular Wire
Wire Stop	No
Insertion Force	Low
Sealable	No

Configuration Features

Connection Capacity	Single
---------------------	--------

Contact Features

Quick Disconnect Terminal Type	Receptacle
Mating Tab Width	6.35 mm [.25 in]
Mating Tab Thickness	.81 mm [.032 in]
Terminal Orientation	Flag
Contact Base Material	Steel
Terminal Plating Material	Pre-Nickel
Crimp Type	F-Crimp



Barrel Type	Open
-------------	------

Mechanical Attachment

Mating Retention Type	Dimple
Extraction Force	40 Newton
Wire Insulation Support	With

Dimensions

Accepts Wire Insulation Diameter Range	2.7 – 3.81 mm [.106 – .15 in]
Receptacle Terminal Stock Thickness	.41 mm [.016 in]
Overall Length	15.6 mm [.615 in]
Wire Size	1.31 – 3.31 mm ²

Usage Conditions

Insulation Option	Uninsulated
Operating Temperature Range	-40 – 250 °C [-40 – 482 °F]

Industry Standards

UL Rating	Listed
-----------	--------

Packaging Features

Packaging Quantity	5000
Packaging Method	Strip/Reel

Other

Comment	With locking lance.
---------	---------------------

Product Compliance

[For compliance documentation, visit the product page on TE.com>](#)

EU RoHS Directive 2011/65/EU	Compliant
EU ELV Directive 2000/53/EC	Compliant
China RoHS 2 Directive MIIT Order No 32, 2016	No Restricted Materials Above Threshold
EU REACH Regulation (EC) No. 1907/2006	Current ECHA Candidate List: JUNE 2022 (224) Candidate List Declared Against: JAN 2022 (223) SVHC > Threshold: Not Yet Reviewed
Halogen Content	Low Halogen - Br, Cl, F, I < 900 ppm per homogenous material. Also BFR/CFR/PVC



Free

Solder Process Capability

Not reviewed for solder process capability

Product Compliance Disclaimer

This information is provided based on reasonable inquiry of our suppliers and represents our current actual knowledge based on the information they provided. This information is subject to change. The part numbers that TE has identified as EU RoHS compliant have a maximum concentration of 0.1% by weight in homogenous materials for lead, hexavalent chromium, mercury, PBB, PBDE, DBP, BBP, DEHP, DIBP, and 0.01% for cadmium, or qualify for an exemption to these limits as defined in the Annexes of Directive 2011/65/EU (RoHS2). Finished electrical and electronic equipment products will be CE marked as required by Directive 2011/65/EU. Components may not be CE marked. Additionally, the part numbers that TE has identified as EU ELV compliant have a maximum concentration of 0.1% by weight in homogenous materials for lead, hexavalent chromium, and mercury, and 0.01% for cadmium, or qualify for an exemption to these limits as defined in the Annexes of Directive 2000/53/EC (ELV). Regarding the REACH Regulation, the information TE provides on SVHC in articles for this part number is based on the latest European Chemicals Agency (ECHA) 'Guidance on requirements for substances in articles' posted at this URL: <https://echa.europa.eu/guidance-documents/guidance-on-reach>

Compatible Parts

TE Part # 2-2150336-2
OC-PA-E-FA-100F180SP-001-0356

TE Part # 2150336-2
OC-AT-E-FA-100F180SP-001-0356

KIT
REPRESENTATION ONLY

TE Part # 7-2150336-7
OC-100F180SP-CRIMPTOOLINGKIT

Also in the Series | FASTON 250

Compression Connectors(4)

Crimp Terminal Housings(143)

Insertion & Extraction Tools(6)

Magnet Wire Terminals(1)

PCB Terminals(144)

Quick Disconnects(456)

Splices(4)

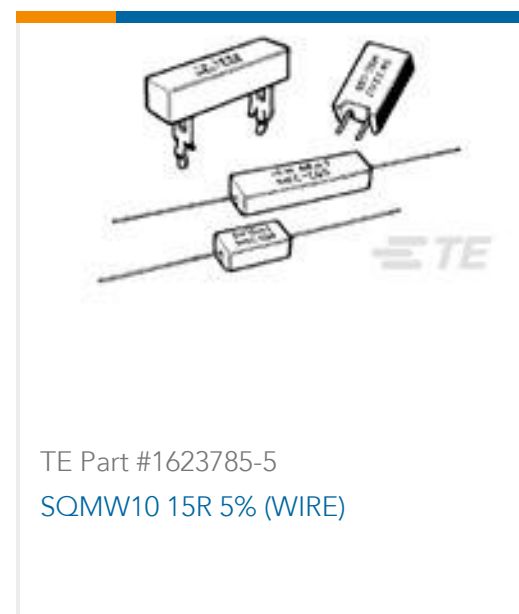
Customers Also Bought



TE Part #5499910-3
AMP-LATCH UNIVERSAL HEADERS



TE Part #3-640442-6
06P MTA100 CONN ASSY BLU



TE Part #1623785-5
SQMW10 15R 5% (WIRE)



TE Part #170823-4
250 FASTON SLEEVE, REC.,
TRANSPARENT



TE Part #1393255-8
W93-X112-30=M6/M7/M9/W6/W7



TE Part #2178301-1
250 FASTON, F-SPR REC., 20-18 AWG,
PNST



TE Part #170891-1
250 FASTON HSG., FLAG, REC.,
NATURAL



TE Part #2178300-1
250 FASTON, F-SPR REC., 18-14 AWG,
PNST

Documents

Product Drawings

[250 FASTON, FLAG, REC., 16-12 AWG, PNST](#)

English

CAD Files

[3D PDF](#)

3D

Customer View Model

[ENG_CVM_CVM_2178439-1_B.2d_dxf.zip](#)

English

Customer View Model

[ENG_CVM_CVM_2178439-1_B.3d_igs.zip](#)

English

Customer View Model

[ENG_CVM_CVM_2178439-1_B.3d_stp.zip](#)

English

By downloading the CAD file I accept and agree to the [Terms and Conditions](#) of use.

Datasheets & Catalog Pages

[F-spring Contact FASTON Terminal Flyer](#)

English

[White Paper - Improving Connector Reliability and Safety - F-Spring Contact FASTON Terminal](#)

English

[Data sheet_2178439-1](#)

English

[White Paper - Improving Connector Reliability and Safety - F-Spring Contact FASTON Terminal](#)

English



Product Specifications

Product Specification

English

Crimping for Faston steel Nickel plated product

English

Agency Approvals

VDE Certificate

English