

AMPLIMITE

TE Internal #: 212013-1

D-Sub Connector Contacts, Pin, Size 8, Copper Alloy, Gold, Crimp, 18 – 16 AWG Wire Size, .8 – 1.4 mm² Wire Size, Wire & Cable, 32 A, Power

[View on TE.com >](#)



Connectors > D-Shaped Connectors > D-Sub Connector Contacts



Contact Type: **Pin**

D-Sub Contact Size: **8**

Contact Base Material: **Copper Alloy**

Contact Mating Area Plating Material: **Gold**

Termination Method to Wire & Cable: **Crimp**

Features

Product Type Features

Product Type	Contact
Connector & Contact Terminates To	Wire & Cable

Body Features

Color Code	No
------------	----

Contact Features

	50 µin
Contact Style	Standard
Contact Underplating Material	Nickel
Contact Type	Pin
D-Sub Contact Size	8
Contact Base Material	Copper Alloy
Contact Mating Area Plating Material	Gold
Contact Current Rating (Max)	32 A

Termination Features

Termination Method to Wire & Cable	Crimp
------------------------------------	-------

Mechanical Attachment

Wire Insulation Support	Without
-------------------------	---------

Dimensions



Insulation Diameter (Max)	.1 mm
Wire Size	.8 – 1.4 mm ²

Usage Conditions

Operating Temperature Range	-55 – 125 °C[-67 – 257 °F]
-----------------------------	----------------------------

Operation/Application

High Current	No
For Use With	AMPLIMITE
Circuit Application	Power

Packaging Features

Packaging Quantity	100
Packaging Method	Bag

Other

Comment	Use these contacts only with the Standard connectors. Do not use with Blindmate connectors.
---------	---

Product Compliance

[For compliance documentation, visit the product page on TE.com>](#)

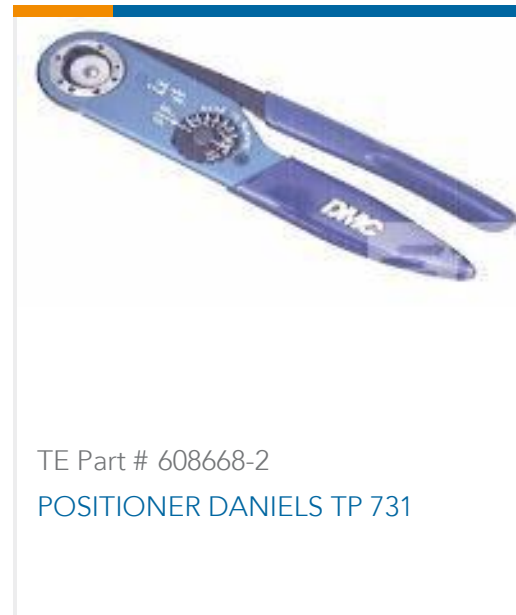
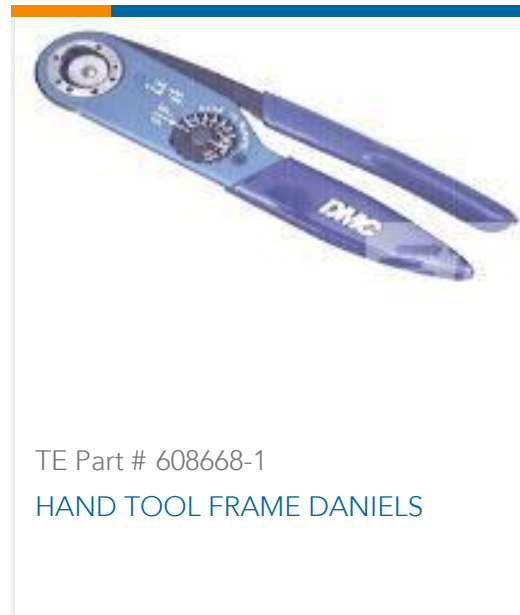
EU RoHS Directive 2011/65/EU	Compliant with Exemptions
EU ELV Directive 2000/53/EC	Compliant with Exemptions
China RoHS 2 Directive MIIT Order No 32, 2016	Restricted Materials Above Threshold
EU REACH Regulation (EC) No. 1907/2006	Current ECHA Candidate List: JUNE 2022 (224) Candidate List Declared Against: JUL 2021 (219) SVHC > Threshold: Pb (1% in Component Part) Article Safe Usage Statements: Do not eat, drink or smoke when using this product. Wash thoroughly after handling. Recycle if possible and dispose of the article by following all applicable governmental regulations relevant to your geographic location.
Halogen Content	Low Halogen - Br, Cl, F, I < 900 ppm per homogenous material. Also BFR/CFR/PVC Free
Solder Process Capability	Not applicable for solder process capability

Product Compliance Disclaimer

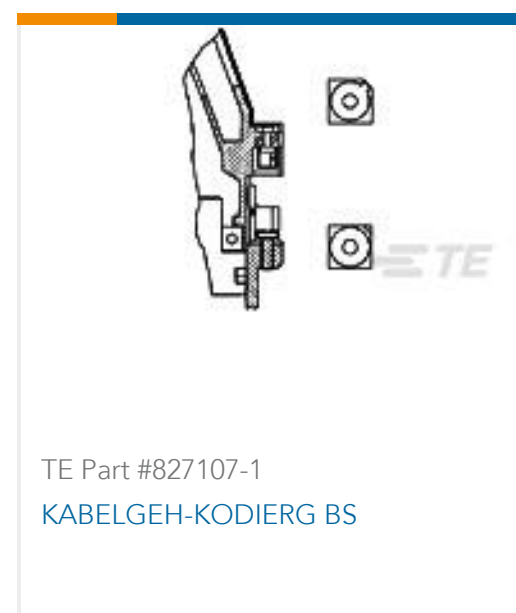
This information is provided based on reasonable inquiry of our suppliers and represents our current actual knowledge based on the information they provided. This information is subject to change. The part numbers that TE has identified as EU RoHS compliant have a maximum concentration of 0.1% by weight in homogenous materials for lead, hexavalent

chromium, mercury, PBB, PBDE, DBP, BBP, DEHP, DIBP, and 0.01% for cadmium, or qualify for an exemption to these limits as defined in the Annexes of Directive 2011/65/EU (RoHS2). Finished electrical and electronic equipment products will be CE marked as required by Directive 2011/65/EU. Components may not be CE marked. Additionally, the part numbers that TE has identified as EU ELV compliant have a maximum concentration of 0.1% by weight in homogenous materials for lead, hexavalent chromium, and mercury, and 0.01% for cadmium, or qualify for an exemption to these limits as defined in the Annexes of Directive 2000/53/EC (ELV). Regarding the REACH Regulation, the information TE provides on SVHC in articles for this part number is based on the latest European Chemicals Agency (ECHA) 'Guidance on requirements for substances in articles' posted at this URL: <https://echa.europa.eu/guidance-documents/guidance-on-reach>

Compatible Parts



Customers Also Bought



Documents



Product Drawings

AMPLIMITE,ASY,PIN CONTACT

English

CAD Files

3D PDF

3D

Customer View Model

[ENG_CVM_CVM_212013-1_U.2d_dxf.zip](#)

English

Customer View Model

[ENG_CVM_CVM_212013-1_U.3d_igs.zip](#)

English

Customer View Model

[ENG_CVM_CVM_212013-1_U.3d_stp.zip](#)

English

By downloading the CAD file I accept and agree to the [Terms and Conditions](#) of use.

Product Specifications

Product Specification

English

Agency Approvals

Agency Approval Document

English