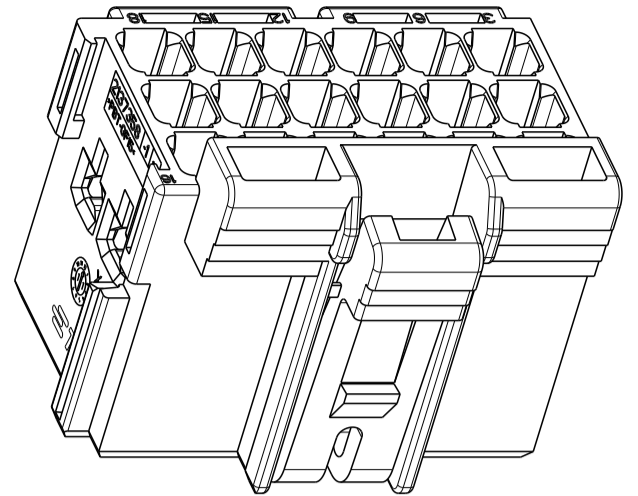
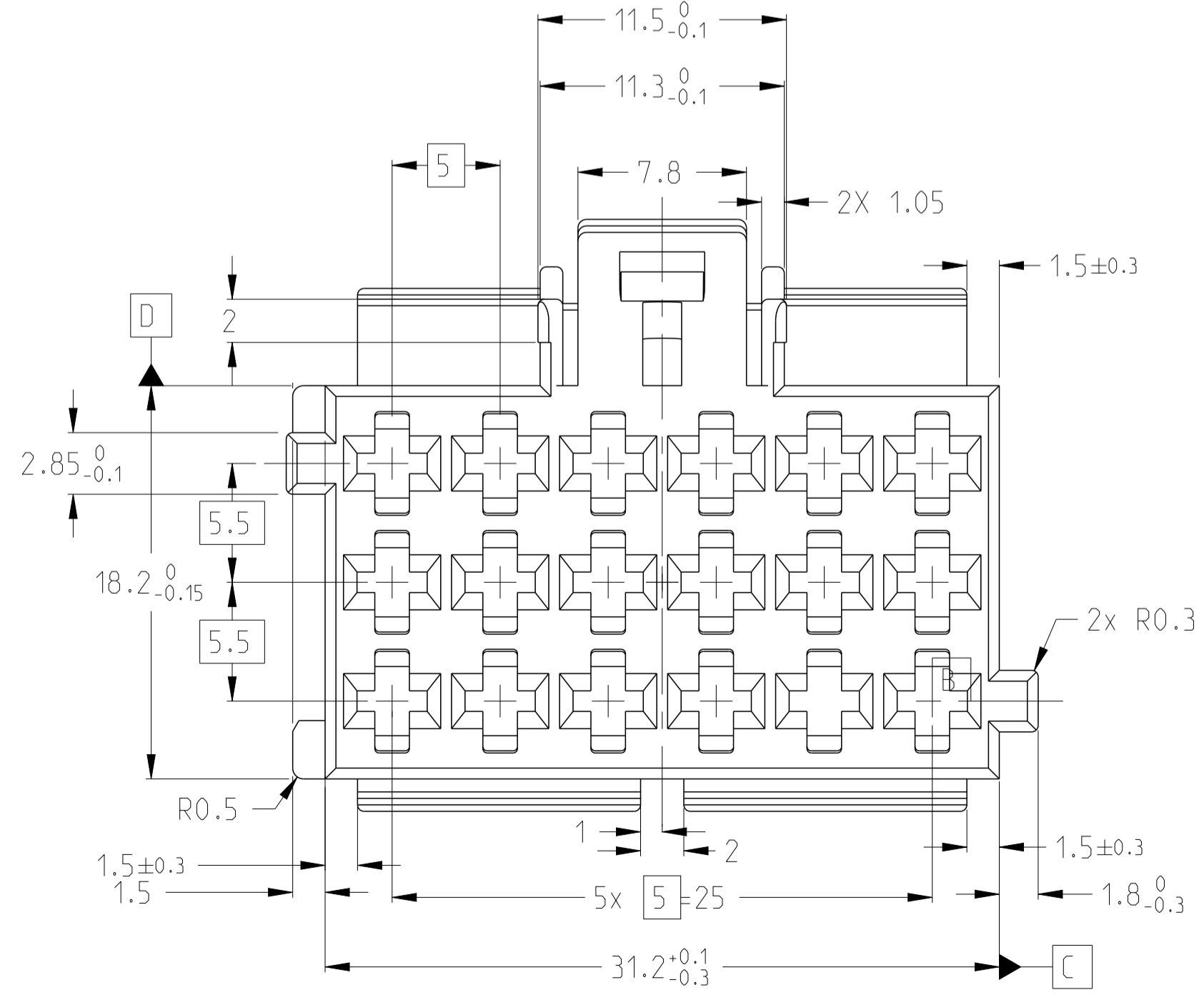
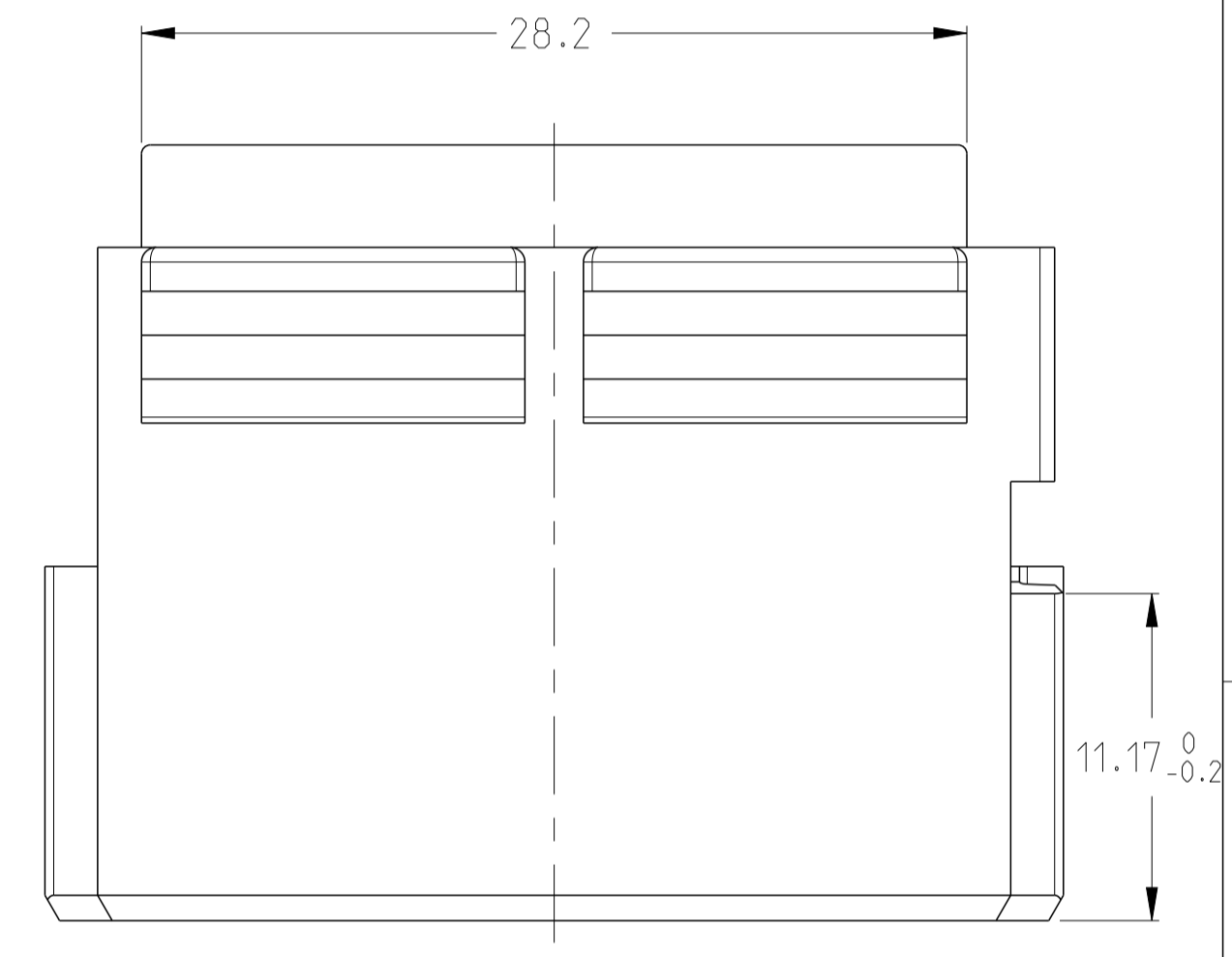
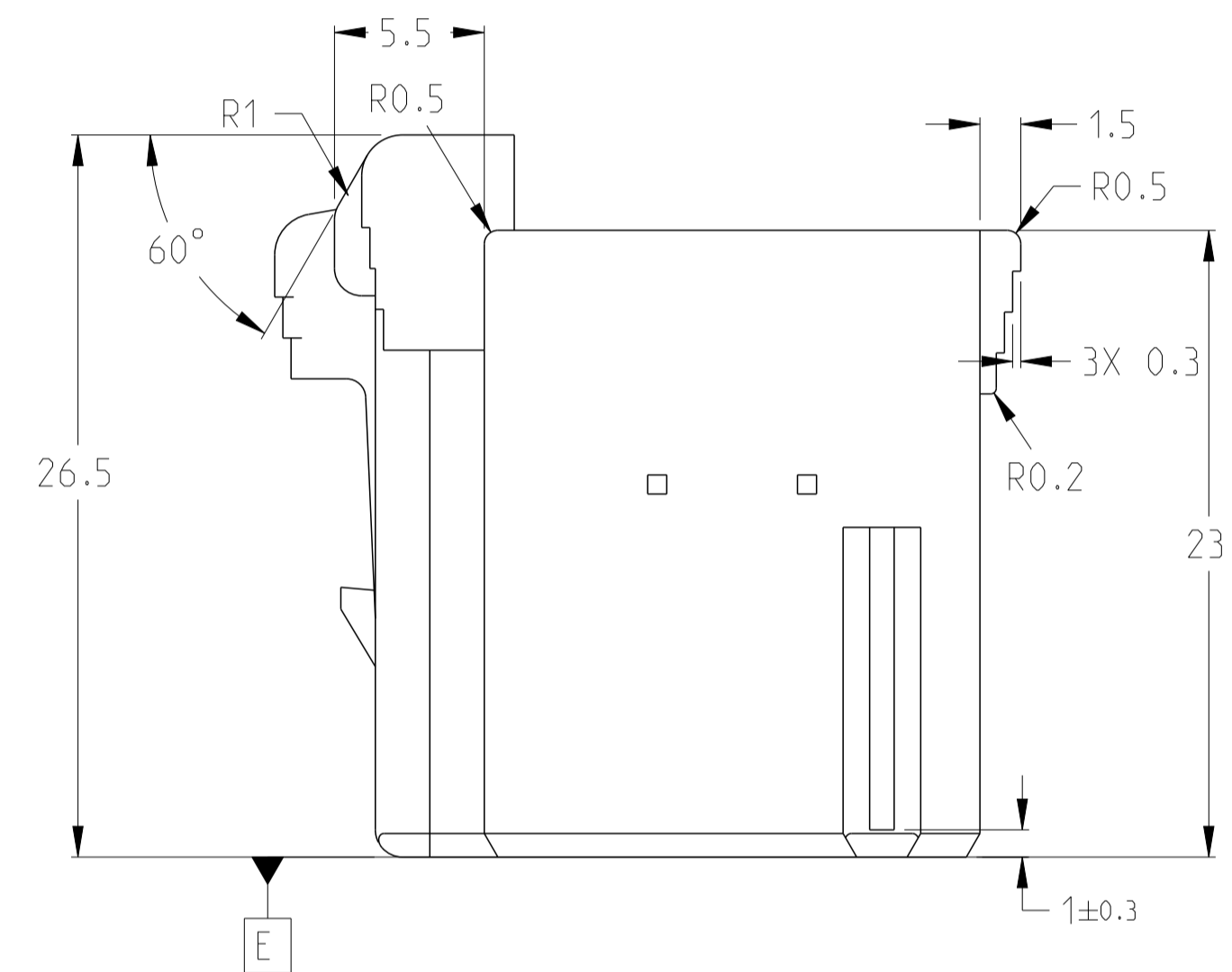
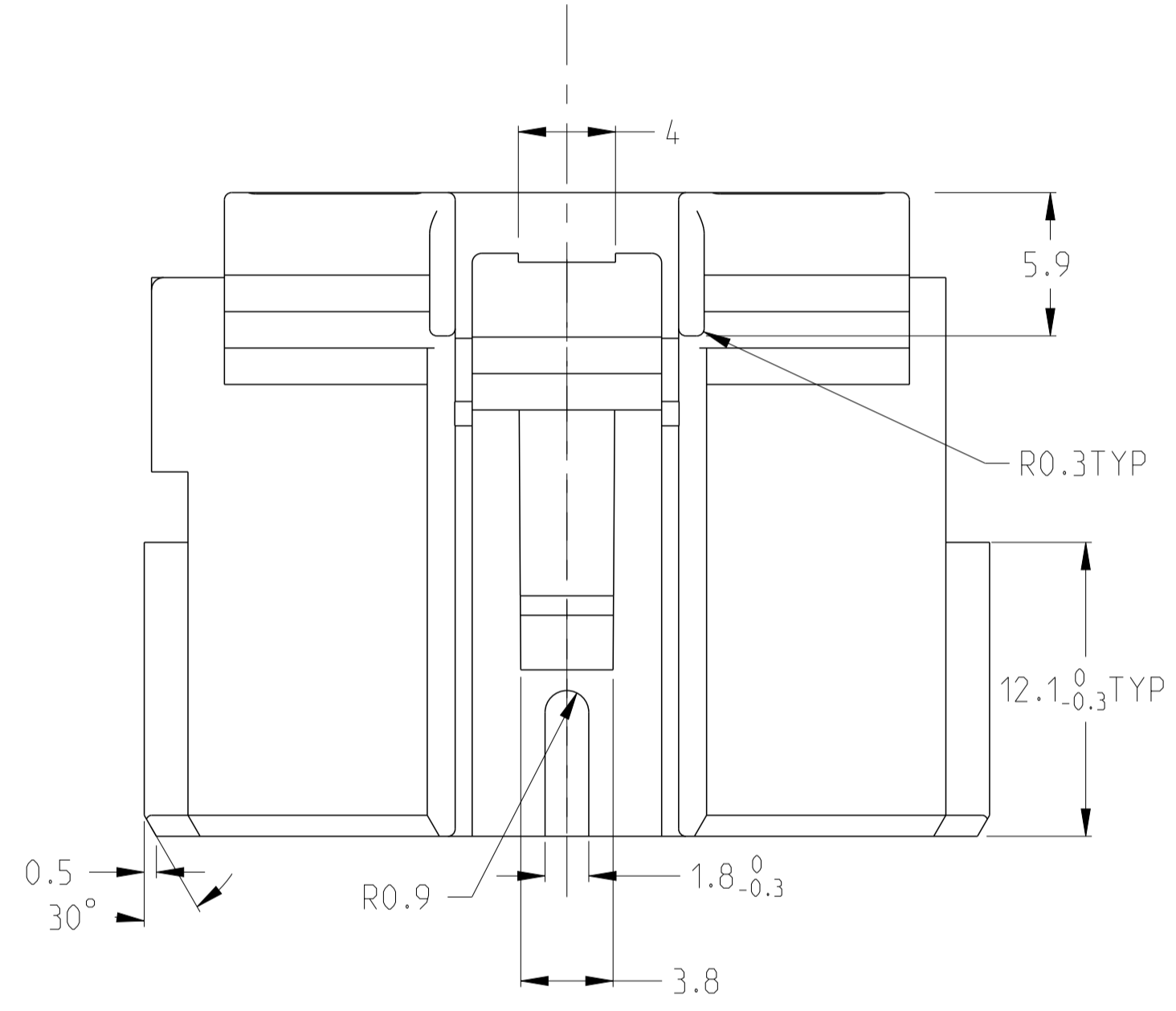
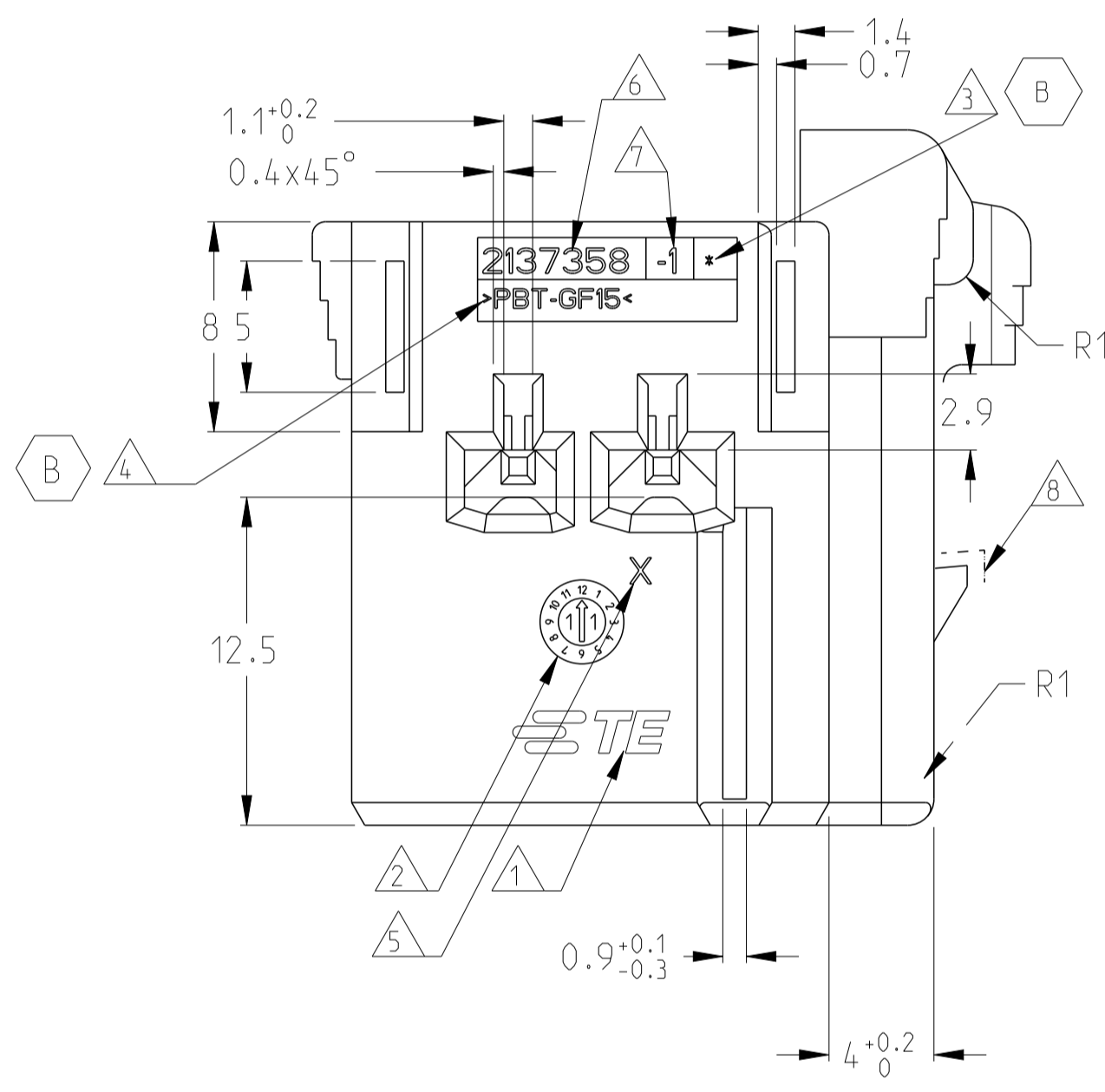
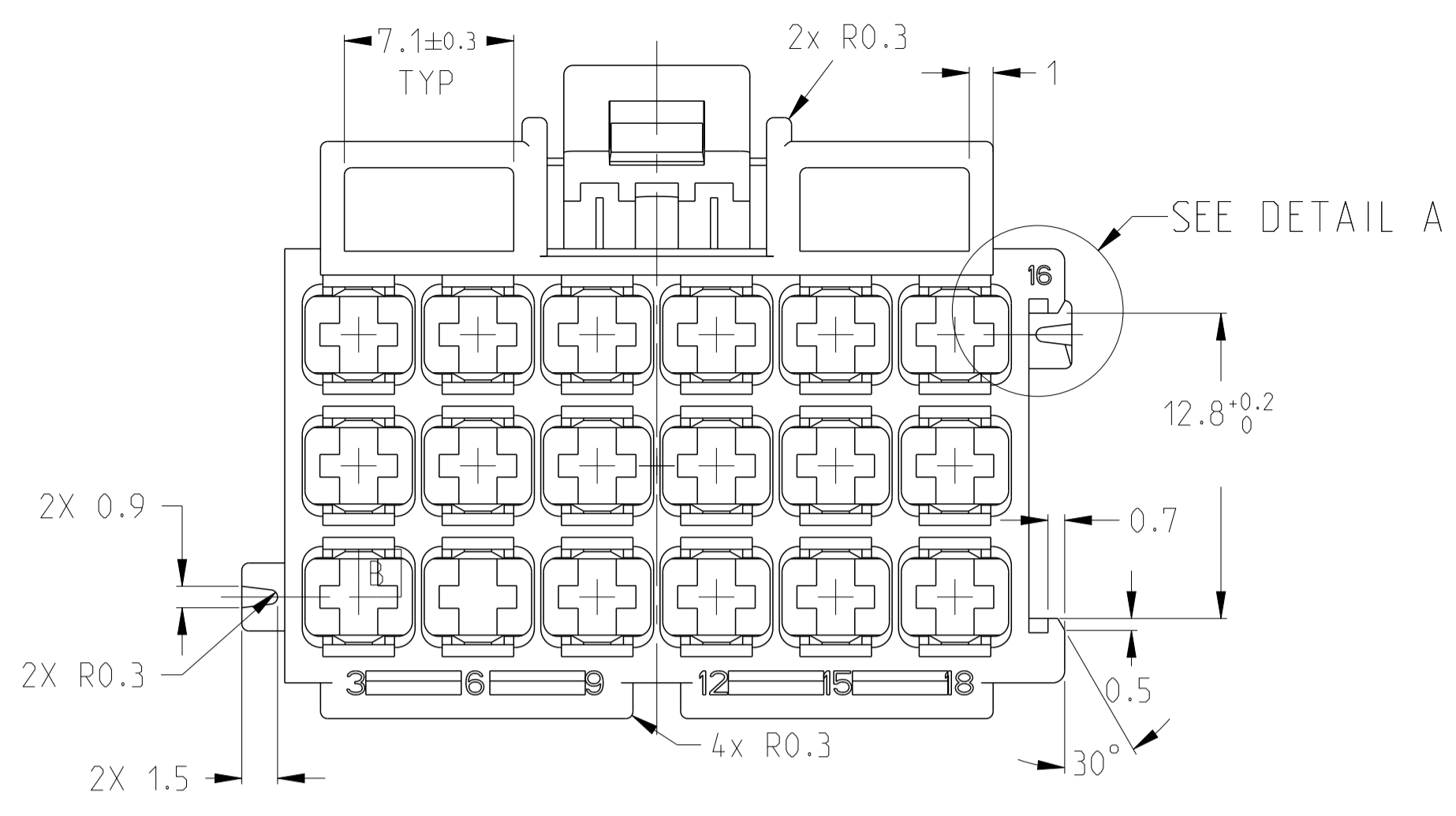


REVISIONS				
P	LTM	DESCRIPTION	DATE	APVD
A		RELEASED	-	HX -
B		REVISED ECR-17-018365	31OCT2017	Z.L I.Y

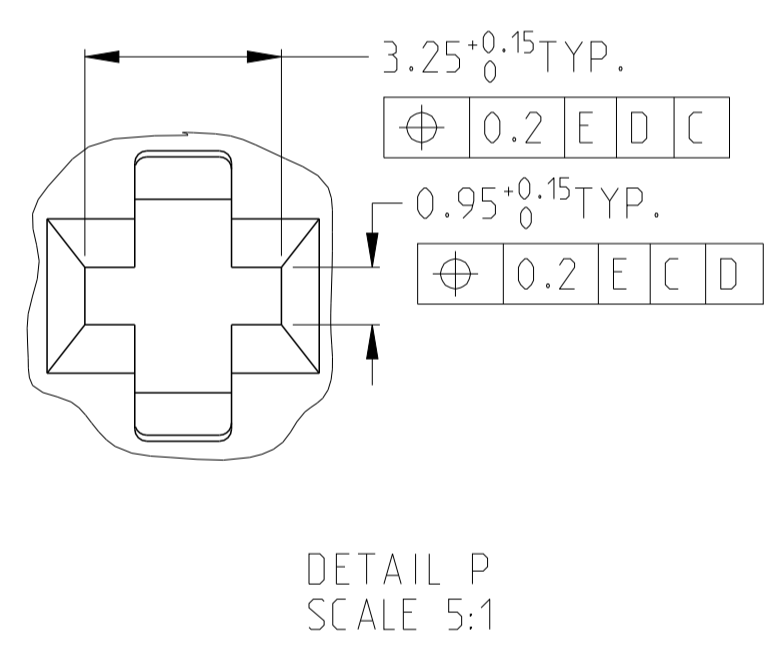
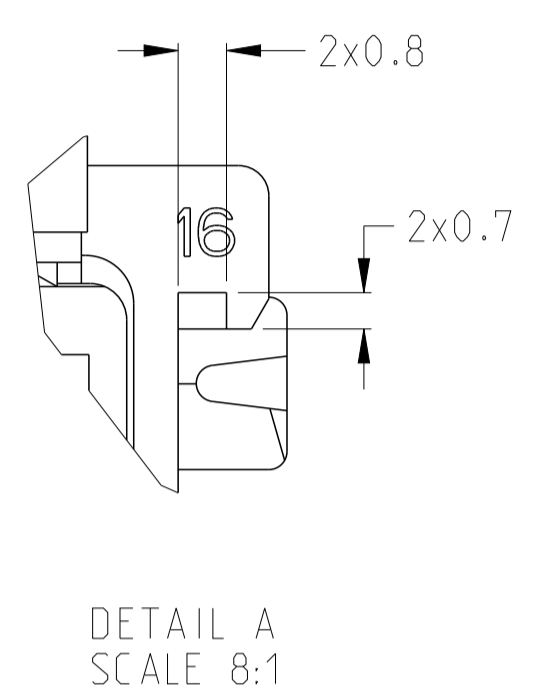
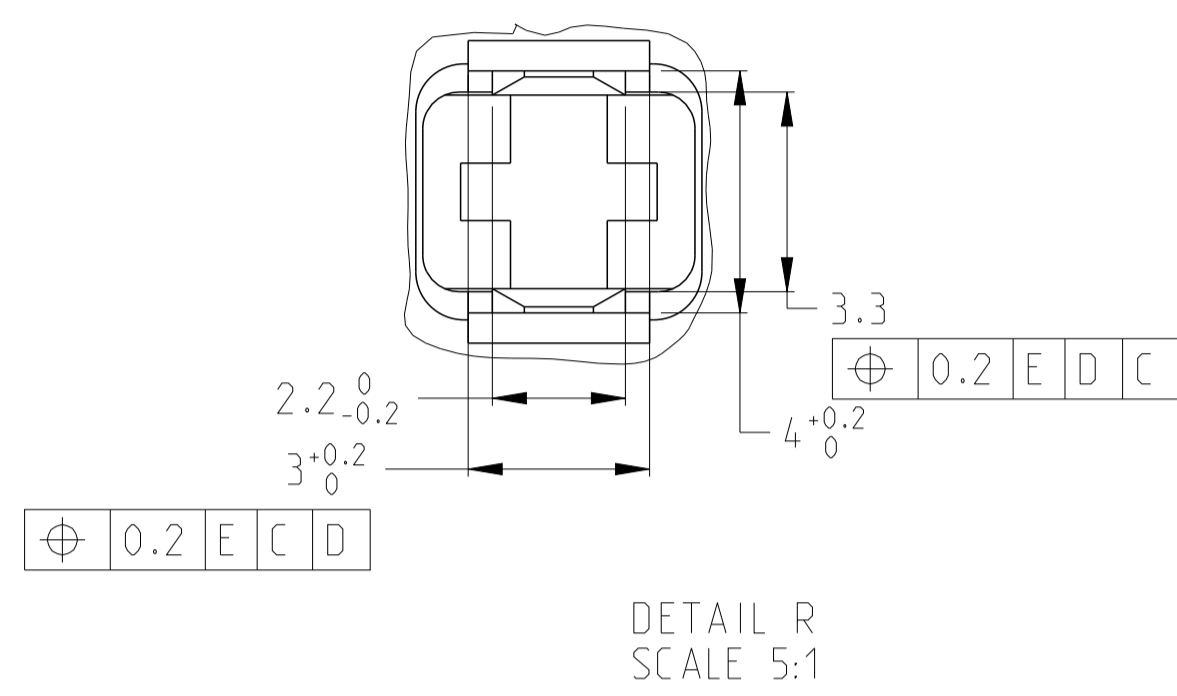
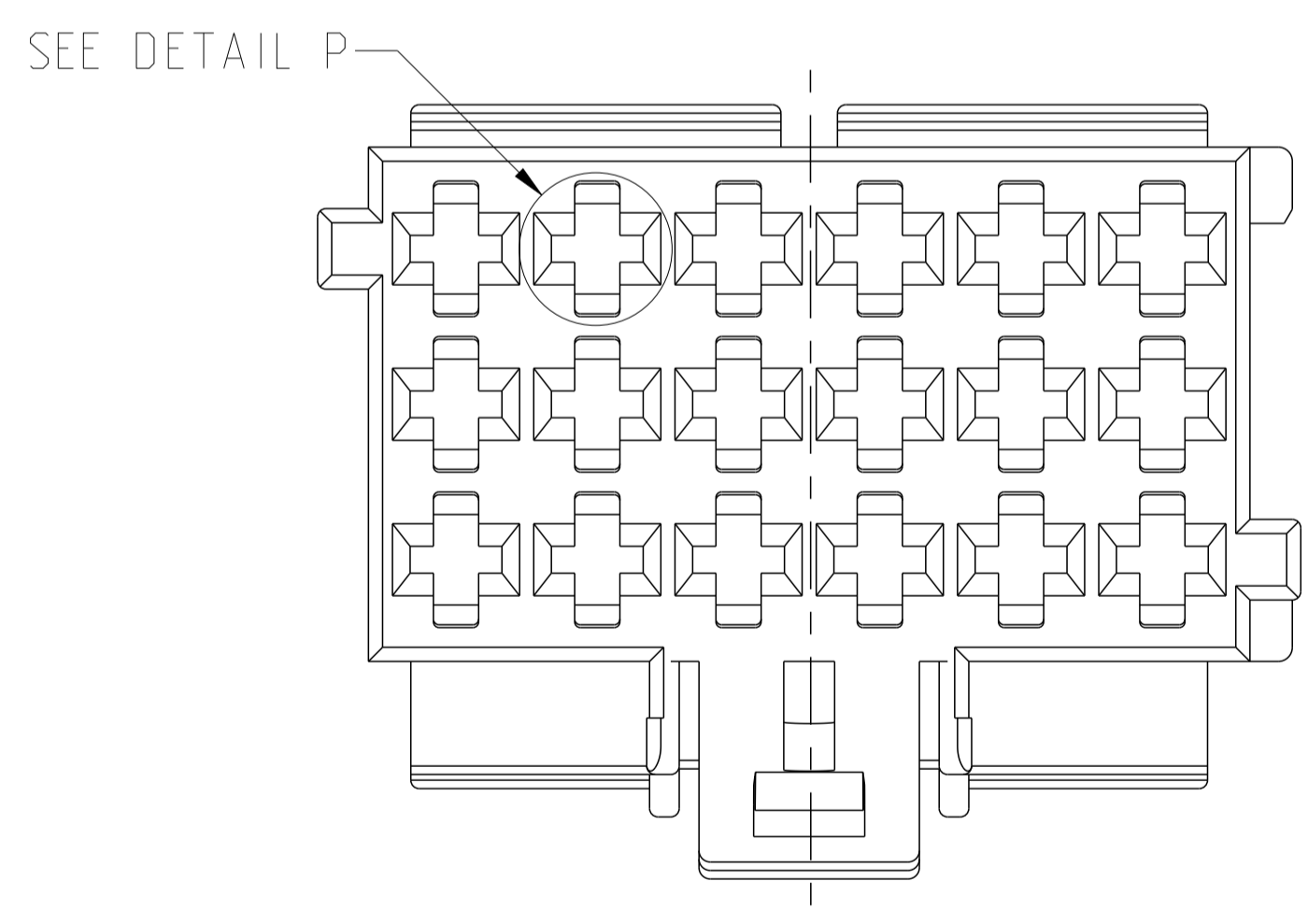
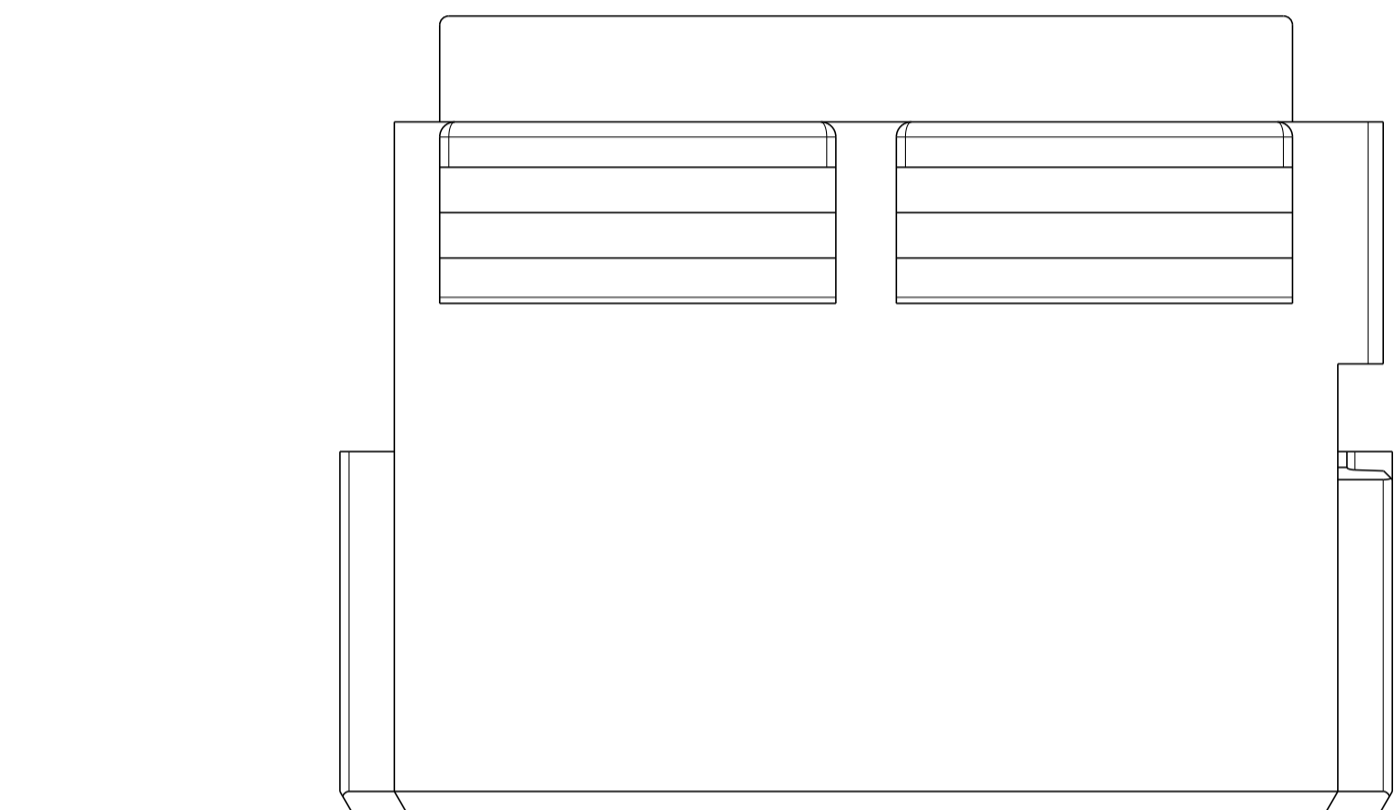
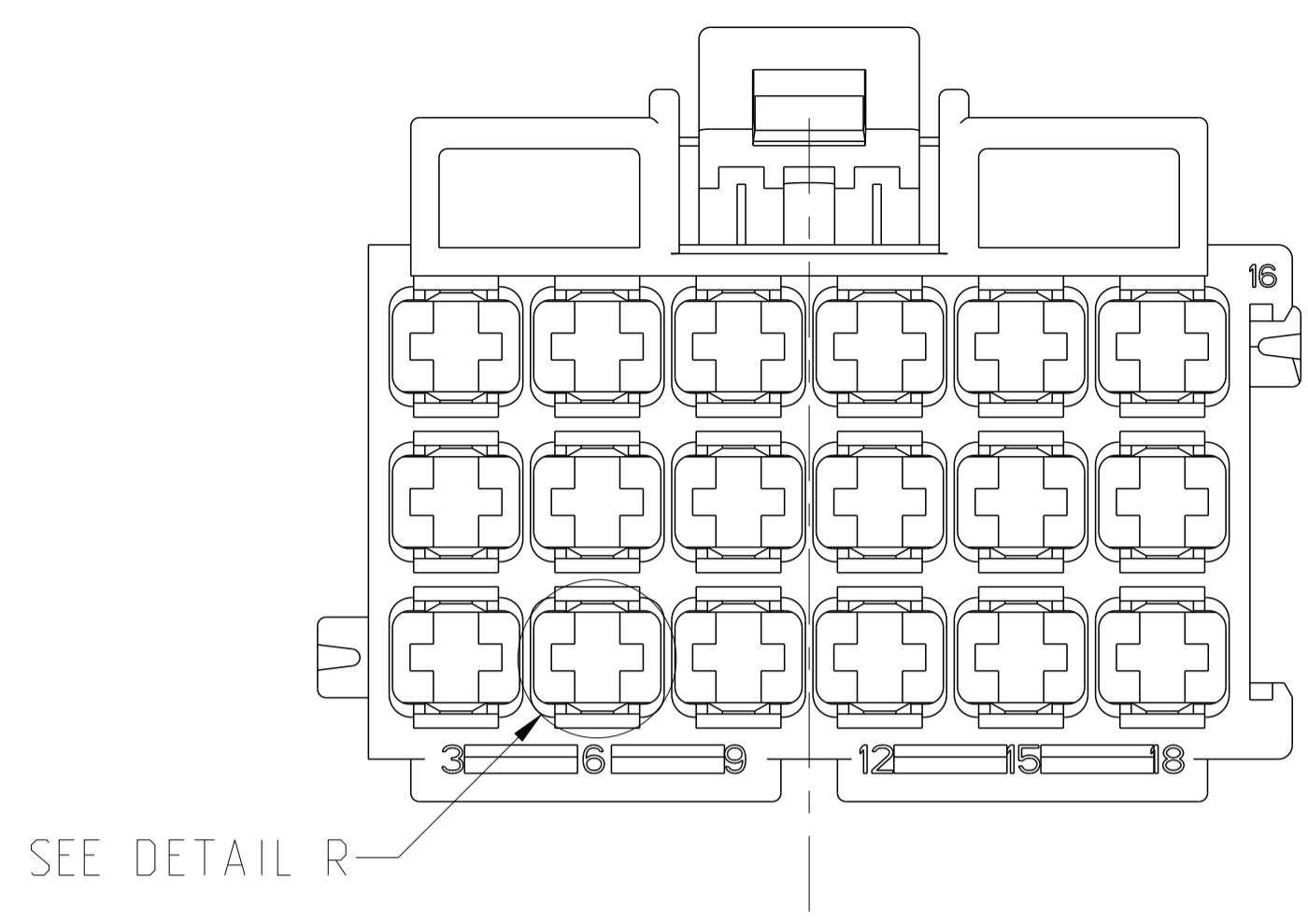


SCALE 2:1



THIS DRAWING IS A CONTROLLED DOCUMENT.		OWN: H.XU CHK: Z.ZHOU APVD: W.YUAN	04SEPT12 15NOV12 15NOV12	TE Connectivity NAME: AMP-MCP 2.8mm RECEPTACLE HOUSING .18POS
DIMENSIONS: mm	TOLERANCES UNLESS OTHERWISE SPECIFIED:	PRODUCT SPEC: 108-101234 APPLICATION SPEC: 116-101014 WEIGHT: 9.516g		
MATERIAL: PBT-GF15 1573359-4		FINISH:		RESTRICTED TO: -
CUSTOMER DRAWING				SCALE: 4:1 SHEET: 1 OF 2 REV: B

REVISIONS				
P	LTN	DESCRIPTION	DATE	APVD
-		SEE SHEET 1	-	-



- NOTE:
- 1. TE LOGO.
 - 2. MAKING DATE.
 - 3. PART REVISION, ACTUAL STATUS ACC. TO TABLE
 - 4. MATERIAL-MAKING
 - 5. CAVITY MARK.
 - 6. TE PART NUMBER
 - 7. EXCHANGABLE
 - 8. BURRS PERMITTED <= 0.2MM
 - 9. GENERAL TOL: ±0.2
 - 10. BURRS PERMITTED <= 0.5MM

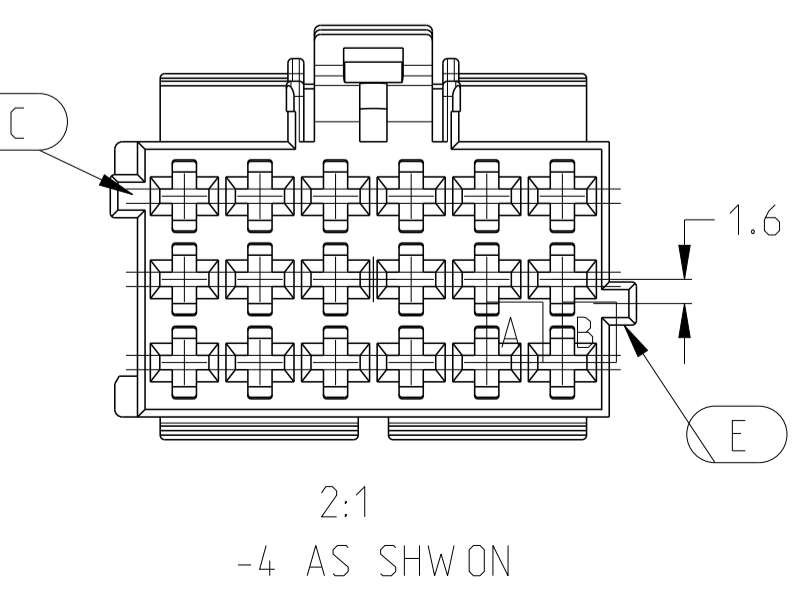
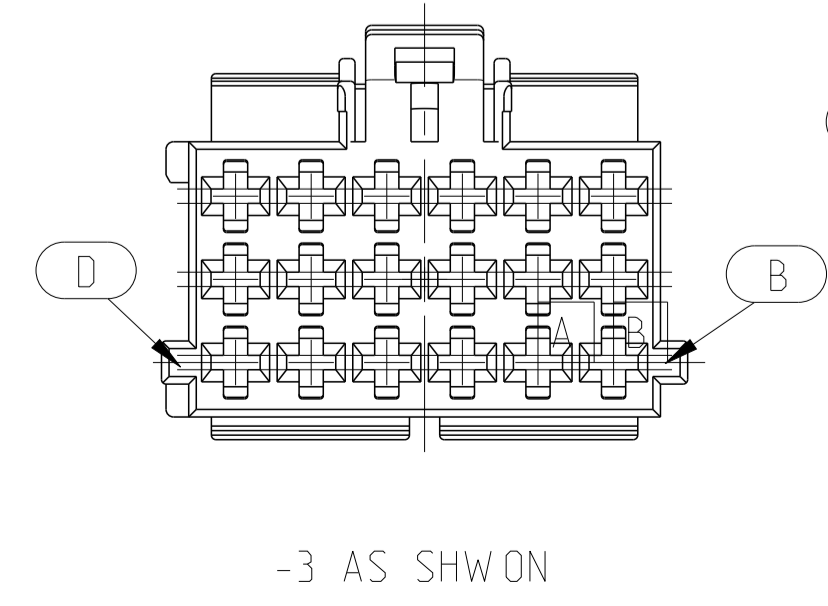
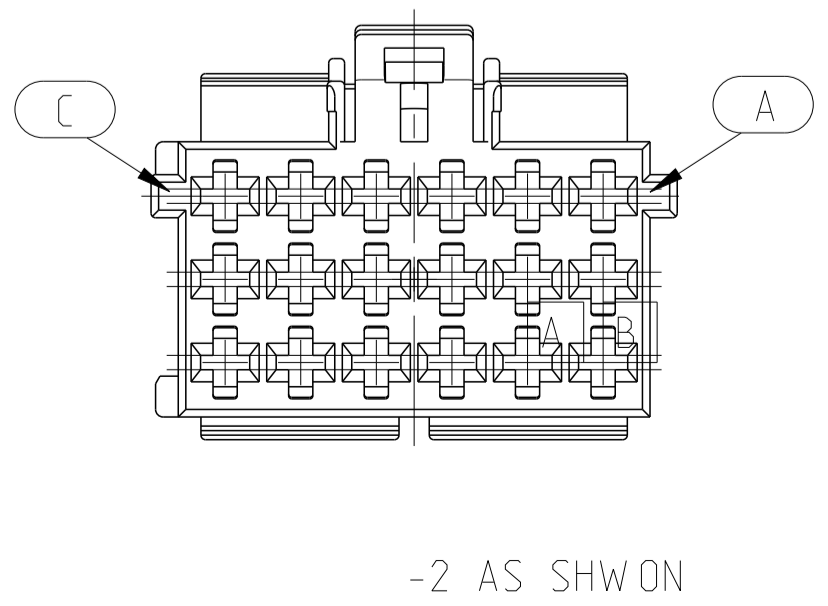
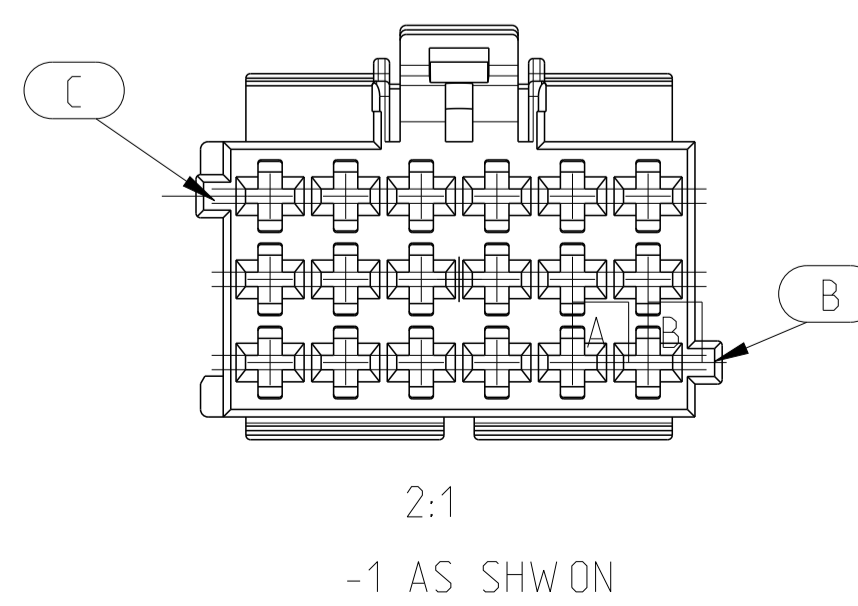
REALIZED CODINGS:

BASIC CODING A = RIBS B-C

CODING B = RIBS A-C

CODING C = RIBS B-D

CODING D = RIBS C-E



DESCRIPTION	COLOUR	WEIGHT	MATERIAL	TE P/N	PART REV	ITEM NO
MCP HOUSING, 18POS., CODING D	VIOLET	9.516g	PBT-GF15	-4	B	4
MCP HOUSING, 18POS., CODING C	BLUE	9.516g	PBT-GF15	-3	B	3
MCP HOUSING, 18POS., CODING B	NATURAL(WHITE)	9.516g	PBT-GF15	-2	B	2
MCP HOUSING, 18POS., CODING A	GREY	9.516g	PBT-GF15	-1	B	1

PART LIST

THIS DRAWING IS A CONTROLLED DOCUMENT.		OWN: H. XU	04/SEPT/2	TE TE Connectivity
DIMENSIONS: mm		CHK: Z. ZHOU	15/NOV/12	
TOLERANCES UNLESS OTHERWISE SPECIFIED:		APVD: W. YUAN	15/NOV/12	
1. PLC ±0.1 2. P.L.C ±0.1 3. P.L.C ±0.1 4. P.L.C ±0.1 ANGLES ±2°		NAME: AMP-MCP 2.8mm RECEPTACLE HOUSING .18POS	SIZE: 108-101234	
MATERIAL: PBT-GF15 1573359-4	WEIGHT: 9.516g	CAGE CODE: A1 00779	DRAWING NO: C=2137358	RESTRICTED TO: -
CUSTOMER DRAWING		SCALE: 4:1	SHEET: 2 OF 2	REV: B