



TE Internal #: 2141028-1  
 Module Components, Fuse Holder, Medium Fuse Fuse Type, 12 Fuses (Minimum), Wire-to-Device, 12 Position, Secondary Locking, UL 94HB, IP2X, Wire & Cable

[View on TE.com >](#)

Connectors > Automotive Connectors > Power Distribution Boxes > Module Components



Component Type: **Fuse Holder**

Fuse Type: **Medium Fuse**

Number of Fuses (Minimum): **12**

Connector System: **Wire-to-Device**

Number of Positions: **12**

### Features

#### Product Type Features

Component Type	Fuse Holder
Fuse Type	Medium Fuse
Connector System	Wire-to-Device
Sealable	No
Primary Locking Feature	Clean Body
Connector & Contact Terminates To	Wire & Cable

#### Configuration Features

Number of Fuses (Minimum)	12
Number of Positions	12

#### Electrical Characteristics

Operating Voltage	12 V
Nominal Voltage Architecture	12 V

#### Body Features

Secondary Locking	Yes
-------------------	-----

#### Mechanical Attachment

Connector Mounting Type	Cable Mount (Free-Hanging)
-------------------------	----------------------------

#### Usage Conditions

Operating Temperature Range	-40 – 85 °C[-40 – 185 °F]
-----------------------------	---------------------------



### Industry Standards

UL Flammability Rating	UL 94HB
IP Rating	IP2X

### Other

Coupling With Other TE Modules	Yes
--------------------------------	-----

### Product Compliance

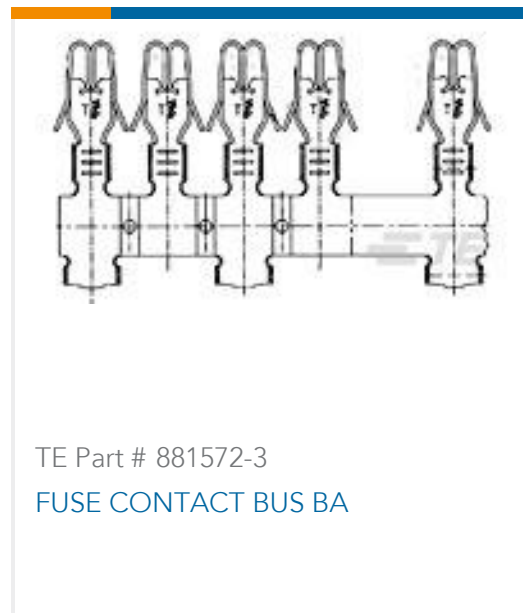
[For compliance documentation, visit the product page on TE.com>](#)

EU RoHS Directive 2011/65/EU	Compliant
EU ELV Directive 2000/53/EC	Compliant
China RoHS 2 Directive MIIT Order No 32, 2016	No Restricted Materials Above Threshold
EU REACH Regulation (EC) No. 1907/2006	Current ECHA Candidate List: JUNE 2022 (224) Candidate List Declared Against: JAN 2022 (223) SVHC > Threshold: Not Yet Reviewed
Halogen Content	Low Halogen - Br, Cl, F, I < 900 ppm per homogenous material. Also BFR/CFR/PVC Free
Solder Process Capability	Not reviewed for solder process capability

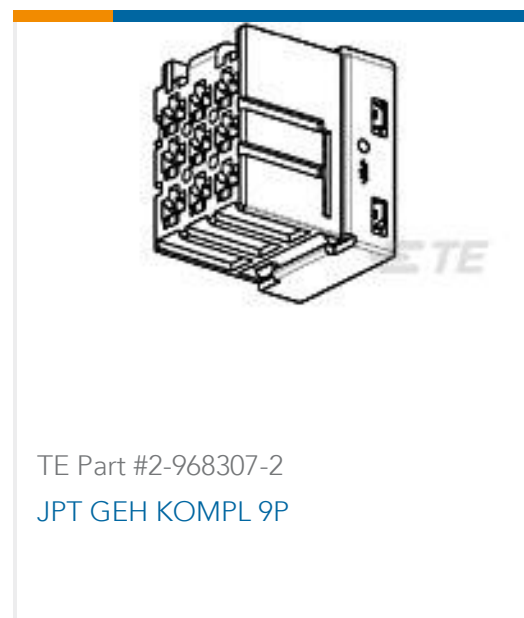
#### Product Compliance Disclaimer

This information is provided based on reasonable inquiry of our suppliers and represents our current actual knowledge based on the information they provided. This information is subject to change. The part numbers that TE has identified as EU RoHS compliant have a maximum concentration of 0.1% by weight in homogenous materials for lead, hexavalent chromium, mercury, PBB, PBDE, DBP, BBP, DEHP, DIBP, and 0.01% for cadmium, or qualify for an exemption to these limits as defined in the Annexes of Directive 2011/65/EU (RoHS2). Finished electrical and electronic equipment products will be CE marked as required by Directive 2011/65/EU. Components may not be CE marked. Additionally, the part numbers that TE has identified as EU ELV compliant have a maximum concentration of 0.1% by weight in homogenous materials for lead, hexavalent chromium, and mercury, and 0.01% for cadmium, or qualify for an exemption to these limits as defined in the Annexes of Directive 2000/53/EC (ELV). Regarding the REACH Regulation, the information TE provides on SVHC in articles for this part number is based on the latest European Chemicals Agency (ECHA) 'Guidance on requirements for substances in articles' posted at this URL: <https://echa.europa.eu/guidance-documents/guidance-on-reach>

### Compatible Parts



### Customers Also Bought



### Documents



### Product Drawings

#### FUSE BOX HSG,HARD WIRED

English

---

### CAD Files

#### Customer View Model

[ENG\\_CVM\\_CVM\\_2141028-1\\_A.2d\\_dxf.zip](#)

English

#### 3D PDF

3D

#### Customer View Model

[ENG\\_CVM\\_CVM\\_2141028-1\\_A.3d\\_igs.zip](#)

English

#### Customer View Model

[ENG\\_CVM\\_CVM\\_2141028-1\\_A.3d\\_stp.zip](#)

English

By downloading the CAD file I accept and agree to the [Terms and Conditions](#) of use.

---

### Datasheets & Catalog Pages

#### MFINITY Version AUT

English

#### MFINITY Modular Hard Wired Fuse and Relay Box

English

---

### Product Specifications

#### Application Specification

English