

2138846-1 ✓ ACTIVE

AMP | AMPSEAL 16

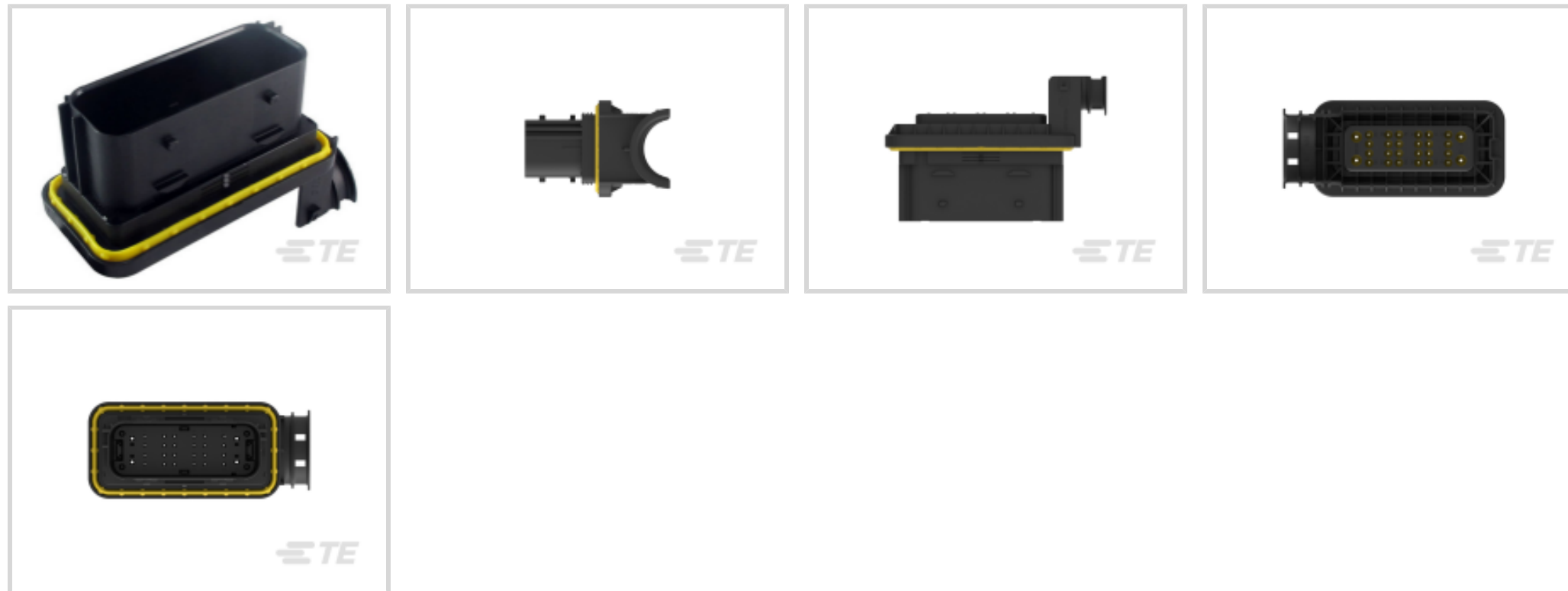
TE Internal #: 2138846-1

Housing for Male Terminals, Wire-to-Wire, 28 Position, .209 in [5.3 mm] Centerline, Sealable, Black, Panel Mount, AMPSEAL 16

[View on TE.com >](#)



Connectors > Automotive Connectors > Connector Housings > AMPSEAL 16 HYBRID LEVER HOUSINGS



Connector & Housing Type: **Housing for Male Terminals**

Connector System: **Wire-to-Wire**

Number of Positions: **28**

Centerline (Pitch): **5.3 mm [.209 in]**

Sealable: **Yes**

[All AMPSEAL 16 HYBRID LEVER HOUSINGS \(4\)](#)

Features

Product Type Features

| | |
|---------------------------|----------------------------|
| Connector & Housing Shape | Rectangular |
| Connector & Housing Type | Housing for Male Terminals |
| Connector System | Wire-to-Wire |
| Sealable | Yes |
| Hybrid Connector | Yes |
| Primary Locking Feature | Integrated in Housing |

Configuration Features

| | |
|---------------------|----|
| Number of Positions | 28 |
| Number of Rows | 4 |

Electrical Characteristics

| | |
|------------------------------|--|
| Operating Voltage | 550 VDC |
| Nominal Voltage Architecture | 12 V, 24 V, 42 V, 48 V, 80 V, 90 V, 125 V, 240 V, 500 V, 550 V |



Body Features

| | |
|-----------------------|--------|
| Cable Exit Angle | 90° |
| Body Material | PBT GF |
| Primary Product Color | Black |
| Connector Code | A |

Contact Features

| | |
|------------------------------|------------------|
| Contact Size | Size 12, Size 16 |
| Contact Current Rating (Max) | 13 A, 25 A |

Mechanical Attachment

| | |
|-----------------------------|------------------|
| Mounting Feature | Without |
| Terminal Position Assurance | Yes |
| Strain Relief | Add By Accessory |
| Mating Alignment Type | Keyed |
| Mating Alignment | With |
| Connector Mounting Type | Panel Mount |

Housing Features

| | |
|--------------------|-----------------|
| Centerline (Pitch) | 5.3 mm[.209 in] |
|--------------------|-----------------|

Dimensions

| | |
|--------------------|--------------------|
| Product Width | 72.75 mm[2.864 in] |
| Product Length | 111.25 mm[4.38 in] |
| Product Height | 48.45 mm[1.907 in] |
| Row-to-Row Spacing | 5.9 mm[.232 in] |

Usage Conditions

| | |
|-----------------------------|---|
| Operating Temperature (Max) | 70 °C, 75 °C, 80 °C, 85 °C, 90 °C, 100 °C, 105 °C, 110 °C, 120 °C, 125 °C[158 °F][167 °F][176 °F][185 °F][194 °F][212 °F][221 °F][230 °F][248 °F][257 °F] |
| Operating Temperature Range | -55 – 125 °C[-67 – 257 °F] |

Industry Standards

| | |
|------------------------|---------|
| UL Flammability Rating | UL 94HB |
|------------------------|---------|

Packaging Features

| | |
|--------------------|------|
| Packaging Quantity | 10 |
| Packaging Method | Tray |



Other

| | |
|--------------------------------------|-----|
| Serviceable | Yes |
| Connector Position Assurance Capable | No |

Product Compliance

[For compliance documentation, visit the product page on TE.com>](#)

| | |
|---|--|
| EU RoHS Directive 2011/65/EU | Compliant |
| EU ELV Directive 2000/53/EC | Compliant |
| China RoHS 2 Directive MIIT Order No 32, 2016 | No Restricted Materials Above Threshold |
| EU REACH Regulation (EC) No. 1907/2006 | Current ECHA Candidate List: JUNE 2022 (224) Candidate List Declared Against: JUL 2021 (219) SVHC > Threshold: Not Yet Reviewed |
| Halogen Content | Not Yet Reviewed for halogen content |
| Solder Process Capability | Not applicable for solder process capability |

Product Compliance Disclaimer

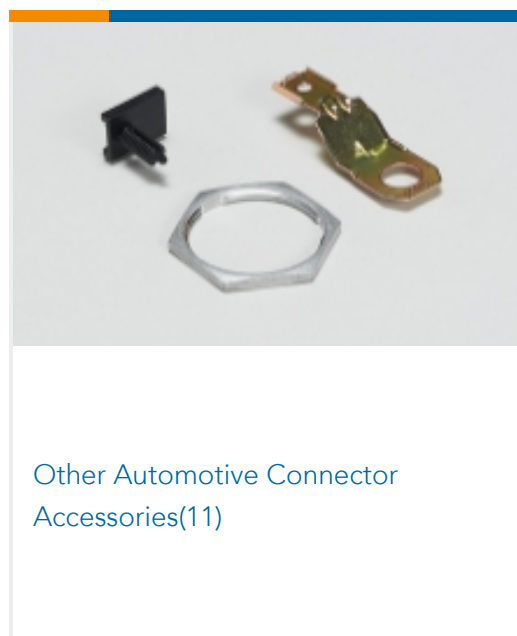
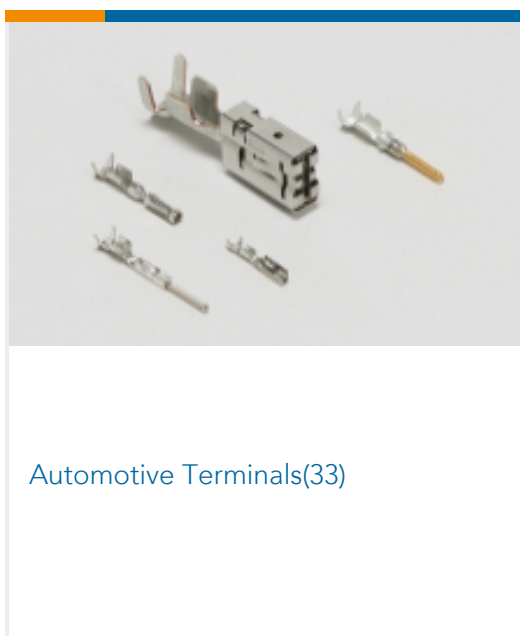
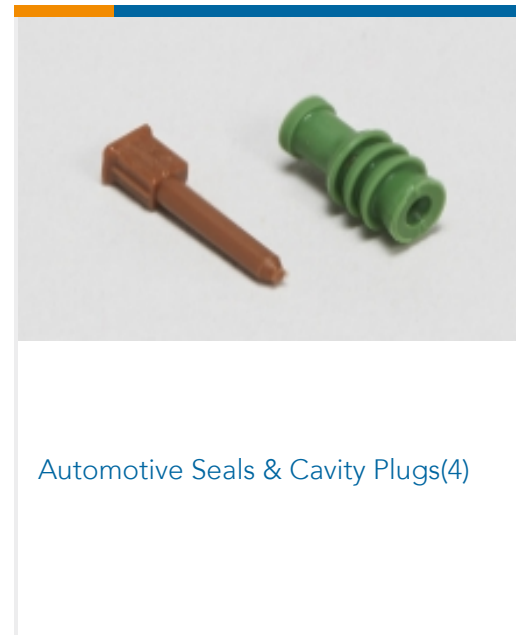
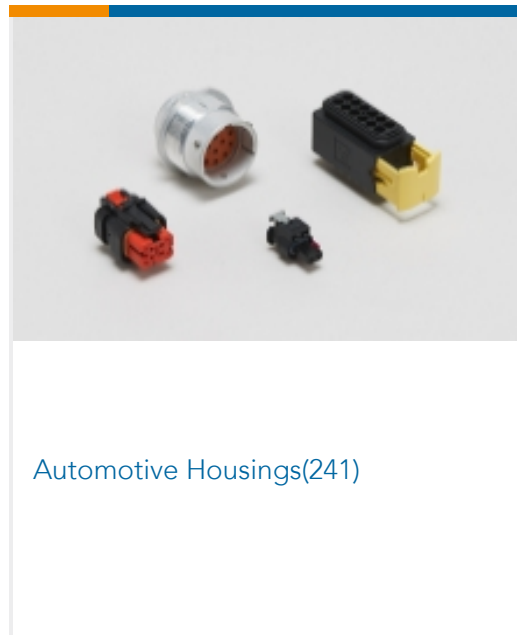
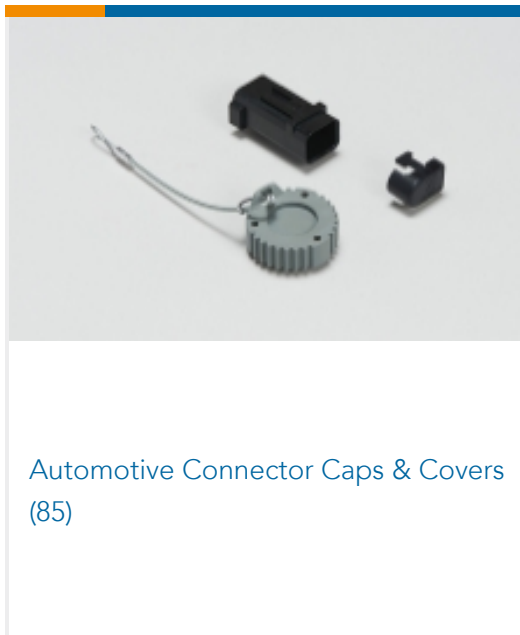
This information is provided based on reasonable inquiry of our suppliers and represents our current actual knowledge based on the information they provided. This information is subject to change. The part numbers that TE has identified as EU RoHS compliant have a maximum concentration of 0.1% by weight in homogenous materials for lead, hexavalent chromium, mercury, PBB, PBDE, DBP, BBP, DEHP, DIBP, and 0.01% for cadmium, or qualify for an exemption to these limits as defined in the Annexes of Directive 2011/65/EU (RoHS2). Finished electrical and electronic equipment products will be CE marked as required by Directive 2011/65/EU. Components may not be CE marked. Additionally, the part numbers that TE has identified as EU ELV compliant have a maximum concentration of 0.1% by weight in homogenous materials for lead, hexavalent chromium, and mercury, and 0.01% for cadmium, or qualify for an exemption to these limits as defined in the Annexes of Directive 2000/53/EC (ELV). Regarding the REACH Regulation, the information TE provides on SVHC in articles for this part number is based on the latest European Chemicals Agency (ECHA) 'Guidance on requirements for substances in articles' posted at this URL: <https://echa.europa.eu/guidance-documents/guidance-on-reach>

Compatible Parts

| | | | |
|---|--|---|---|
|  <p>TE Part # CAT-H991-CH8172 AMPSEAL 16 HYBRID LEVER HOUSINGS</p> |  <p>TE Part # CAT-H991-M8649 AMPSEAL 16 HYBRID LEVER MOUNTING</p> |  <p>TE Part # CAT-AM7801-T273 Contacts: Size 16, 13A</p> |  <p>TE Part # 2138853-1 WIRE EXIT COVER, AMPSEAL 16 HL</p> |
|---|--|---|---|



Also in the Series | AMPSEAL 16



Customers Also Bought





Documents

Product Drawings

[CAP ASSY, 28 POS, KEY A, AMPSEAL 16 HL](#)

English

CAD Files

[3D PDF](#)

3D

Customer View Model

[ENG_CVM_CVM_2138846-1_B.2d_dxf.zip](#)

English

Customer View Model

[ENG_CVM_CVM_2138846-1_B.3d_igs.zip](#)

English

Customer View Model

[ENG_CVM_CVM_2138846-1_B.3d_stp.zip](#)

English

By downloading the CAD file I accept and agree to the [Terms and Conditions](#) of use.

Datasheets & Catalog Pages

["AMPSEAL 16 HL" \(ICT\)](#)

English

[ICT Terminals and Connectors Catalogue](#)

English

[CONNECTOR SELECTOR](#)

English

Product Specifications

[Engineering Report](#)

English