

THIS DRAWING IS UNPUBLISHED.

RELEASED FOR PUBLICATION

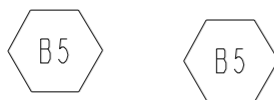
© COPYRIGHT BY -TE CONNECTIVITY

ALL RIGHTS RESERVED.

REVISIONS

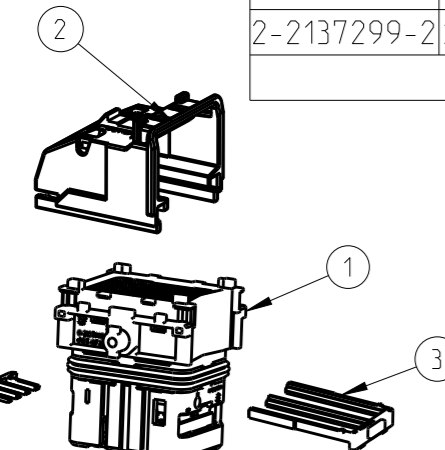
P	LTR	DESCRIPTION	DATE	DWN	APVD
	A	RELEASED	15SEP2010	G.Z	K.O
	B3	ECR-14-019034	04JAN2015	F.W	SY.W
	B4	ECR-15-017608	03DEC2015	L.D	SY.W
	B5	ECR-16-002830	28MAR2016	C.W	SY.W

NOTE: EQUAL QUANTITY OF X-2137299-X COMPONENTS TO BE PACKAGED TOGETHER IN SAME SHIPPING BOX.



2-2137299-2	2-2137299-1	1-2137299-2	1-2137299-1	2137299-9	2137299-8	2137299-7	2137299-6	2137299-5	2137299-4	2137299-3	2137299-2	2137299-1	COMPONENT PART NO.	DESCRIPTION	ITEM NO.
1	1	1	1	1	1	1	1	1	1	1	1	1	2050013-2	SHORT RETAINER	4
1	1	1	1	1	1	1	1	1	1	1	1	1	2050989-2	RETAINER,MQS	3
1	1	1	1	1	1	1	1	1	1	1	1	1	2137149-1	COVER MQS CB,90	2
			1										9-2278712-8	32P MIXED REC. HSG ASSY.CODE 5 LEVER LEFT	
								1					9-2137296-8	32P MIXED REC. HSG ASSY.CODE 5 LEVER RIGHT	
						1							9-2137296-9	32P MIXED REC. HSG ASSY.CODE 5 LEVER RIGHT	
1													9-2300050-9	32P MIXED REC. HSG ASSY.CODE 3 LEVER RIGHT	
	1												9-2300052-9	32P MIXED REC. HSG ASSY.CODE 3 LEVER LEFT	
												1	9-2137297-8	32P MIXED REC. HSG ASSY.CODE 2 LEVER LEFT	
									1				9-2137297-9	32P MIXED REC. HSG ASSY.CODE 2 LEVER LEFT	1
				1									9-2137152-9	32P MIXED REC. HSG ASSY.CODE 2 LEVER RIGHT	
											1		9-2137298-7	32P MIXED REC. HSG ASSY.CODE 1 LEVER LEFT	
										1			9-2137298-8	32P MIXED REC. HSG ASSY.CODE 1 LEVER LEFT	
								1					9-2137298-9	32P MIXED REC. HSG ASSY.CODE 1 LEVER LEFT	
		1											9-2137143-8	32P MIXED REC. HSG ASSY.CODE 1 LEVER RIHGT	
					1								9-2137143-9	32P MIXED REC. HSG ASSY.CODE 1 LEVER RIHGT	

PACKAGING PART NO. & QUANTITY



THIS DRAWING IS A CONTROLLED DOCUMENT.

DIMENSIONS: mm		TOLERANCES UNLESS OTHERWISE SPECIFIED:	
		0 PLC	±
		1 PLC	±0.5
		2 PLC	±0.13
		3 PLC	±0.013
MATERIAL		FINISH	
		4 PLC	
		ANGLES	
		±	

DWN	G.ZHAO	09SEP2010
CHK	Y.YANG	14SEP2010
APVD	K.ODA	15SEP2010
PRODUCT SPEC		
APPLICATION SPEC		
WEIGHT		
CUSTOMER DRAWING		

STE TE Connectivity

PACKAGE COMPONENT LIST
32POS MIXED RECEPTACLE HOUSING

SIZE	CAGE CODE	DRAWING NO	RESTRICTED TO
A3	00779	C=2137299	
SCALE		SHEET	REV
4:1		1 OF 1	B5