

TE Internal #: 215282-9

Automotive Terminals, Receptacle, Mating Tab Width .64 mm [.025 in], Tab Thickness .025 in [.64 mm], 26 – 22 AWG Wire Size, .13 – .35 mm² Wire Size

[View on TE.com >](#)



Terminals & Splices > Automotive Terminals



Terminal Type: **Receptacle**

Mating Tab Width: **.64 mm [.025 in]**

Mating Tab Thickness: **.64 mm [.025 in]**

Terminal Transmits: **0 – 24 A (Low Power)**

Wire Size: **26 – 22 AWG**

Features

Product Type Features

Receptacle Style	180°
Sealable	No
Primary Locking Feature	Locking Lance

Contact Features

Contact Size	.64mm
Contact Fabrication	Stamped & Formed
Typical Current Rating	3 A
Crimp Type	IDC
Terminal Type	Receptacle
Mating Tab Width	.64 mm[.025 in]
Mating Tab Thickness	.64 mm[.025 in]
Interface Plating	Tin (Sn)
Contact Termination Area Plating Material	Tin (Sn)

Termination Features

Termination Method to Wire & Cable	Crimp
Product Terminates To	Wire

Dimensions

Wire Size	.13 – .35 mm ²
Wire Size Search	22 AWG, 23 AWG, 24 AWG, 25 AWG, 26



AWG

Wire Insulation Diameter	.91 – 1.37 mm, 1.27 mm [.05 in]
--------------------------	---------------------------------

Usage Conditions

Insulation Option	Uninsulated
Operating Temperature (Max)	80 °C, 85 °C [176 °F] [185 °F]
Operating Temperature Range	-40 – 85 °C [-40 – 185 °F]

Packaging Features

Packaging Method	Reel
Packaging Quantity	12500

Other

Terminal Transmits	0 – 24 A (Low Power)
--------------------	----------------------

Product Compliance

[For compliance documentation, visit the product page on TE.com>](#)

EU RoHS Directive 2011/65/EU	Compliant
EU ELV Directive 2000/53/EC	Compliant
China RoHS 2 Directive MIIT Order No 32, 2016	No Restricted Materials Above Threshold
EU REACH Regulation (EC) No. 1907/2006	Current ECHA Candidate List: JUNE 2022 (224) Candidate List Declared Against: JAN 2022 (223) SVHC > Threshold: Not Yet Reviewed
Halogen Content	Low Halogen - Br, Cl, F, I < 900 ppm per homogenous material. Also BFR/CFR/PVC Free
Solder Process Capability	Not applicable for solder process capability

Product Compliance Disclaimer

This information is provided based on reasonable inquiry of our suppliers and represents our current actual knowledge based on the information they provided. This information is subject to change. The part numbers that TE has identified as EU RoHS compliant have a maximum concentration of 0.1% by weight in homogenous materials for lead, hexavalent chromium, mercury, PBB, PBDE, DBP, BBP, DEHP, DIBP, and 0.01% for cadmium, or qualify for an exemption to these limits as defined in the Annexes of Directive 2011/65/EU (RoHS2). Finished electrical and electronic equipment products will be CE marked as required by Directive 2011/65/EU. Components may not be CE marked. Additionally, the part numbers that TE has identified as EU ELV compliant have a maximum concentration of 0.1% by weight in homogenous materials for lead, hexavalent chromium, and mercury, and 0.01% for cadmium, or qualify for an exemption to these limits as defined in the Annexes of Directive 2000/53/EC (ELV). Regarding the REACH Regulation, the information TE provides on SVHC in articles for this part number is based on the latest European Chemicals Agency (ECHA) 'Guidance on requirements for substances in articles' posted at this URL: <https://echa.europa.eu/guidance-documents/guidance-on-reach>

Compatible Parts



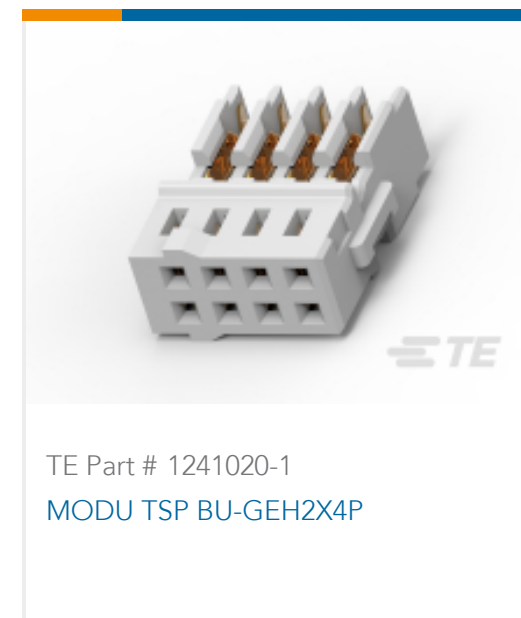
TE Part # CAT-M8793-CH8172
MQS, CONNECTOR HOUSING



TE Part # 962792-1
TAND SPRING BU-GH8P



TE Part # 966661-3
TSP/MOD STVERB2X16P



TE Part # 1241020-1
MODU TSP BU-GEH2X4P

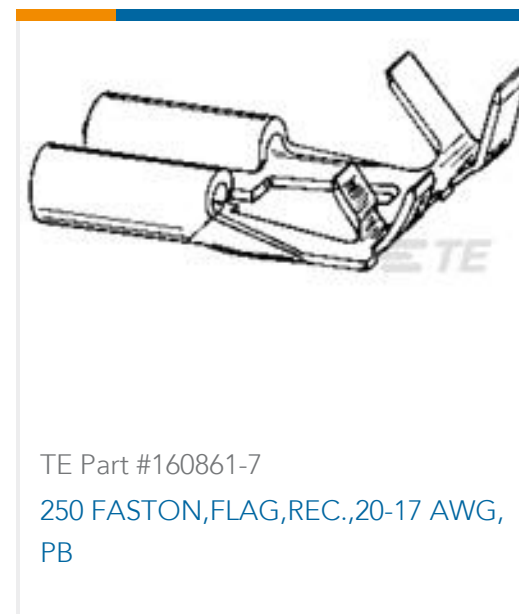
Customers Also Bought



TE Part #1-1473898-1
SIGNAL HEADER



TE Part #2237147-1
0.64III 8P 1ROW PLUG CONNECTOR



TE Part #160861-7
250 FASTON, FLAG, REC., 20-17 AWG,
PB



TE Part #3-1601072-2
.187 X .020 MULTI-BARB TAB SIA
PB



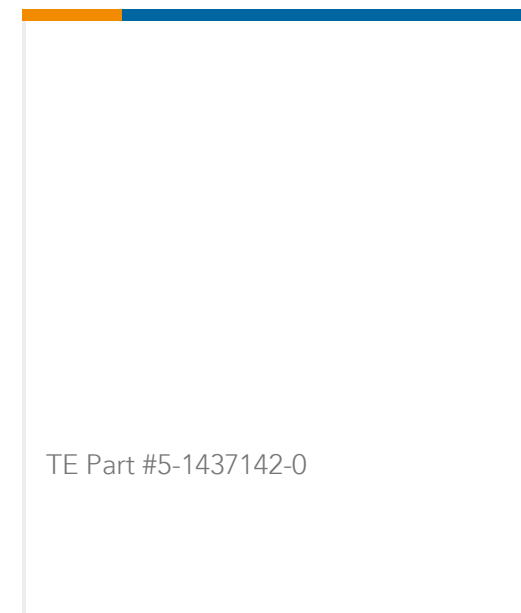
TE Part #7-2150223-7
OCEAN_2.0_SPARE_PART_KIT-
180F250F



TE Part #7-2151550-7
OC-110F140F-CRIMPTOOLKIT-ALI



TE Part #CP4904-000
ES2000-NO.1-C1-0-65MM-SH



TE Part #5-1437142-0

Documents

Product Drawings

MASS TERMINATION

English

CAD Files

Customer View Model

[ENG_CVM_215282-9_O1.3d_igs.zip](#)

English

Customer View Model

[ENG_CVM_215282-9_O1.3d_stp.zip](#)

English

Customer View Model

[ENG_CVM_215282-9_O1.2d_dxf.zip](#)

English

3D PDF



English

By downloading the CAD file I accept and agree to the [Terms and Conditions](#) of use.

[Product Specifications](#)

[Application Specification](#)

English