



AMP | AMP Type II

TE Internal #: 201330-1

Power Contacts, Contact, Gold, 24 – 20 AWG Wire Size, .2 – .6 mm<sup>2</sup>

Wire Size, Wire-to-Wire, 1 Position, Wire & Cable, Crimp, Signal,

Pin, AMP Type II

[View on TE.com >](#)

Connectors > Power Connectors > Power Contacts > TYPE II CONTACTS



Power Contact Type: **Contact**

Contact Mating Area Plating Material: **Gold**

Wire Size: **.2 – .6 mm<sup>2</sup>**

Connector System: **Wire-to-Wire**

[All TYPE II CONTACTS \(16\)](#)

### Features

#### Product Type Features

Power Contact Type	Contact
Connector System	Wire-to-Wire
Sealable	No
Connector & Contact Terminates To	Wire & Cable

#### Configuration Features

Number of Positions	1
---------------------	---

#### Electrical Characteristics

Test Current	13 A
--------------	------

#### Contact Features

Contact Mating Area Plating Material	Gold
Contact Current Rating (Max)	13 A
Contact Type	Pin
Contact Retention Within Housing	With
Mating Pin Diameter	1.57 mm[.062 in]
Contact Base Material	Brass
Contact Mating Area Plating Material Thickness	.76 μm[30 μin]
Contact Mating Area Plating Material Finish	Bright



Wire Contact Termination Area Plating Thickness	.76 µm[30 µin]
Wire Contact Termination Area Plating Material	Gold
Contact Orientation	Straight
Contact Underplating Material	Nickel
Contact Underplating Material Thickness	1.27 µm[50 µin]
Contact Size	16

### Termination Features

Termination Method to Wire & Cable	Crimp
------------------------------------	-------

### Mechanical Attachment

Contact Retention Type Within Housing	Snap-In
Wire Insulation Support	With

### Dimensions

Wire Size	.2 – .6 mm <sup>2</sup>
Accepts Wire Insulation Diameter Range	1.4 – 2.24 mm[.055 – .088 in]

### Usage Conditions

Operating Temperature Range	-55 – 105 °C[-55 – 302 °F]
-----------------------------	----------------------------

### Operation/Application

Circuit Application	Signal
---------------------	--------

### Identification Marking

Color Code	Yellow/Red
------------	------------

### Packaging Features

Packaging Method	Bag
Packaging Quantity	1000

### Other

Wire/Cable Type	Discrete Wire
For Use With	CPC Connectors, G Series Connectors, M Series Connectors
Comment	Extraction Tool No. 305183, Insertion Tool No. 200893-2 (for insulation diameters 1.78 [.07] or less)., Use turret TH502 (p/n 1-601967-6) with hand tool 601967-1.

### Product Compliance

For compliance documentation, visit the product page on [TE.com](https://www.te.com)>



EU RoHS Directive 2011/65/EU	Compliant with Exemptions
EU ELV Directive 2000/53/EC	Compliant with Exemptions
China RoHS 2 Directive MIIT Order No 32, 2016	Restricted Materials Above Threshold
EU REACH Regulation (EC) No. 1907/2006	<p>Current ECHA Candidate List: JUNE 2022 (224)</p> <p>Candidate List Declared Against: JAN 2022 (223)</p> <p>SVHC &gt; Threshold: Pb (3.7% in Component)</p> <p><b>Article Safe Usage Statements:</b> Do not eat, drink or smoke when using this product. Wash thoroughly after handling. Recycle if possible and dispose of the article by following all applicable governmental regulations relevant to your geographic location.</p>
Halogen Content	Low Halogen - Br, Cl, F, I < 900 ppm per homogenous material. Also BFR/CFR/PVC Free
Solder Process Capability	Not applicable for solder process capability

Product Compliance Disclaimer

This information is provided based on reasonable inquiry of our suppliers and represents our current actual knowledge based on the information they provided. This information is subject to change. The part numbers that TE has identified as EU RoHS compliant have a maximum concentration of 0.1% by weight in homogenous materials for lead, hexavalent chromium, mercury, PBB, PBDE, DBP, BBP, DEHP, DIBP, and 0.01% for cadmium, or qualify for an exemption to these limits as defined in the Annexes of Directive 2011/65/EU (RoHS2). Finished electrical and electronic equipment products will be CE marked as required by Directive 2011/65/EU. Components may not be CE marked. Additionally, the part numbers that TE has identified as EU ELV compliant have a maximum concentration of 0.1% by weight in homogenous materials for lead, hexavalent chromium, and mercury, and 0.01% for cadmium, or qualify for an exemption to these limits as defined in the Annexes of Directive 2000/53/EC (ELV). Regarding the REACH Regulation, the information TE provides on SVHC in articles for this part number is based on the latest European Chemicals Agency (ECHA) 'Guidance on requirements for substances in articles' posted at this URL: <https://echa.europa.eu/guidance-documents/guidance-on-reach>

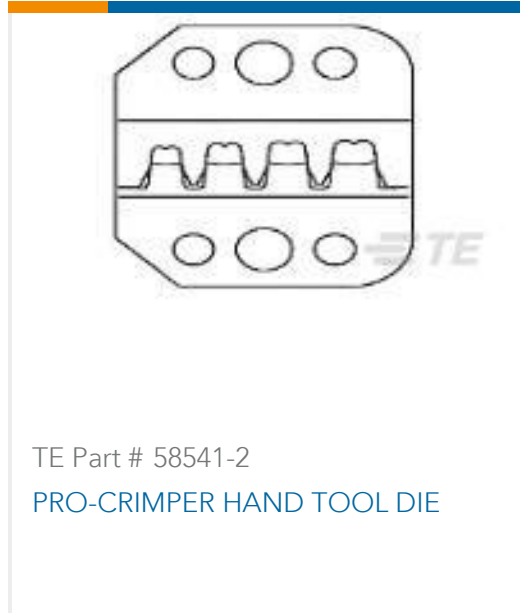
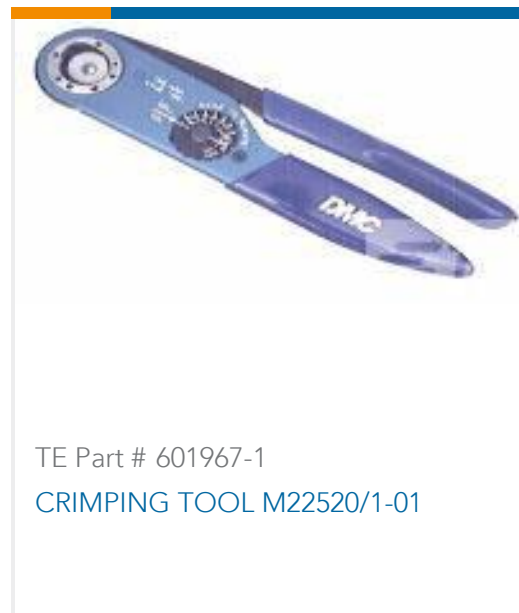
## Compatible Parts

TE Part # CAT-AM71-C83998C  
CMC SERIES 1

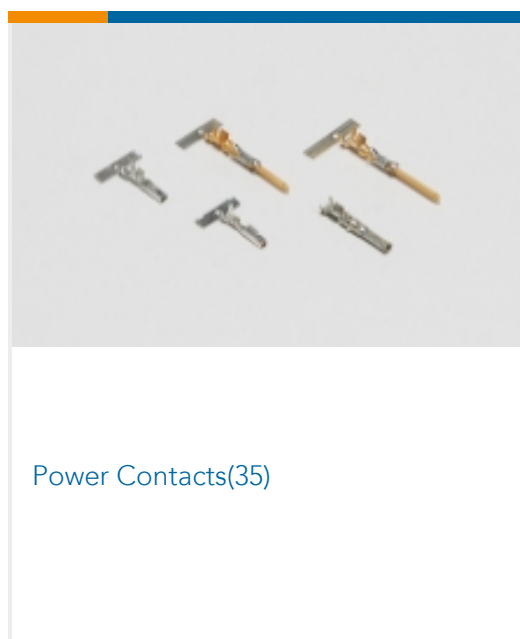
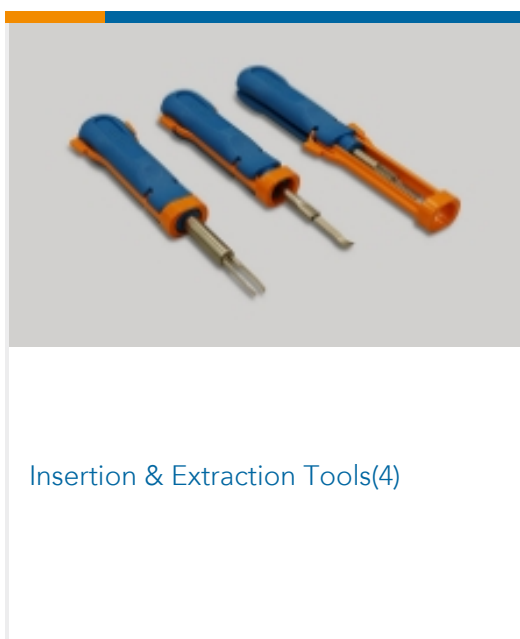
TE Part # CAT-AM71-C83998Y  
CPC SERIES 1 SEALED ONE-PIECE

TE Part # CAT-AM71-C83998J  
CPC SERIES 1

TE Part # CAT-AM71-C83998K  
CPC SERIES 6



Also in the Series | AMP Type II



Customers Also Bought





TE Part #52410  
PIDG SP SPD 22-16COMM22-18MIL8



TE Part #51864-9  
TERMINAL,PIDG R IR 14 10



TE Part #1-52929-0  
TERMINAL,PIDG SPR SPD 22-16 6



TE Part #207893-1  
CONTACT PIN ASSY.



TE Part #7-1393132-2  
P40P42A12P1-240=CONTACTORS

## Documents

### Product Drawings

#### CONTACT PIN ASSY.

English

### CAD Files

#### Customer View Model

[ENG\\_CVM\\_201330-1\\_W.3d\\_igs.zip](#)

English

#### Customer View Model

[ENG\\_CVM\\_201330-1\\_W.3d\\_stp.zip](#)

English

#### Customer View Model

[ENG\\_CVM\\_201330-1\\_W.2d\\_dxf.zip](#)

English

### 3D PDF

English

### 3D PDF

3D

#### Customer View Model

[ENG\\_CVM\\_CVM\\_201330-1\\_AB.2d\\_dxf.zip](#)

English

#### Customer View Model

[ENG\\_CVM\\_CVM\\_201330-1\\_AB.3d\\_igs.zip](#)

English

#### Customer View Model

[ENG\\_CVM\\_CVM\\_201330-1\\_AB.3d\\_stp.zip](#)

English



By downloading the CAD file I accept and agree to the [Terms and Conditions](#) of use.

### Datasheets & Catalog Pages

#### AMP Circular Connectors for Commercial Signal & Power Applications

English

#### Signal Contacts

English

#### M\_SERIES\_PIN\_AND\_SOCKET\_CONNECTORS

English

### Product Specifications

#### Application Specification

Japanese

#### Application Specification

English

#### Type II Screw Machine Contacts

Japanese

#### Application Specification

Japanese

### Product Environmental Compliance

#### TE Material Declaration

English

### Instruction Sheets

#### Instruction Sheet (U.S.)

Japanese

#### Instruction Sheet (U.S.)

English

#### Instruction Sheet (U.S.)

English

#### Application and Maintenance for Crimping Die Assemblies

English

#### Instruction Sheet (U.S.)

English

#### Instruction Sheet (U.S.)

English