

2102735-1 ✓ ACTIVE

MULTIGIG RT | MULTIGIG RT 2-R

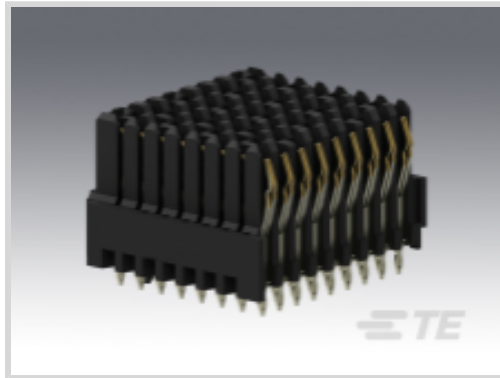
TE Internal #: 2102735-1

High Speed Backplane Connectors, Board-to-Board, 72 Position,
Mating Alignment, Guide Pin Mating Alignment Type, 9 Row, 8
Column, MULTIGIG RT 2-R

[View on TE.com >](#)



Connectors > PCB Connectors > Backplane Connectors > High Speed Connectors



Connector System: **Board-to-Board**

Number of Positions: **72**

Row-to-Row Spacing: **1.8 mm [.07 in]**

Mating Alignment: **With**

Mating Alignment Type: **Guide Pin**

Features

Product Type Features

Applied to Printed Circuit Board Type	Backplane
Connector System	Board-to-Board
PCB Connector Assembly Type	PCB Mount Receptacle
Shroud Style	Unshrouded
Connector & Contact Terminates To	Printed Circuit Board

Configuration Features

Number of Positions	72
Number of Rows	9
Number of Columns	8
Backplane Architecture	Traditional Backplane
PCB Mount Orientation	Vertical
Guide Location	Left

Contact Features

Contact Current Rating (Max)	1.5 A
------------------------------	-------

Mechanical Attachment

Mating Alignment	With
Mating Alignment Type	Guide Pin



Connector Mounting Type	Board Mount
-------------------------	-------------

Housing Features

Number of Shrouded Sides	0
Centerline (Pitch)	1.8 mm[.07 in]

Dimensions

Row-to-Row Spacing	1.8 mm[.07 in]
--------------------	----------------

Usage Conditions

Operating Temperature Range	-55 – 125 °C[-67 – 257 °F]
-----------------------------	----------------------------

Operation/Application

Circuit Application	Power & Signal
---------------------	----------------

Product Compliance

For compliance documentation, visit the product page on [TE.com](#)>

EU RoHS Directive 2011/65/EU	Not Compliant
EU ELV Directive 2000/53/EC	Not Compliant
China RoHS 2 Directive MIIT Order No 32, 2016	Restricted Materials Above Threshold
EU REACH Regulation (EC) No. 1907/2006	Current ECHA Candidate List: JUNE 2022 (224) Candidate List Declared Against: JAN 2022 (223) SVHC > Threshold: Pb (13% in Component Part) Article Safe Usage Statements: Do not eat, drink or smoke when using this product. Wash thoroughly after handling. Recycle if possible and dispose of the article by following all applicable governmental regulations relevant to your geographic location.
Halogen Content	Low Halogen - Br, Cl, F, I < 900 ppm per homogenous material. Also BFR/CFR/PVC Free
Solder Process Capability	Not applicable for solder process capability

Product Compliance Disclaimer

This information is provided based on reasonable inquiry of our suppliers and represents our current actual knowledge based on the information they provided. This information is subject to change. The part numbers that TE has identified as EU RoHS compliant have a maximum concentration of 0.1% by weight in homogenous materials for lead, hexavalent chromium, mercury, PBB, PBDE, DBP, BBP, DEHP, DIBP, and 0.01% for cadmium, or qualify for an exemption to these limits as defined in the Annexes of Directive 2011/65/EU (RoHS2). Finished electrical and electronic equipment products will be CE marked as required by Directive 2011/65/EU. Components may not be CE marked. Additionally, the part numbers that TE has identified as EU ELV compliant have a maximum concentration of 0.1% by weight in homogenous materials for lead, hexavalent chromium, and mercury, and 0.01% for cadmium, or qualify for an exemption to these limits as defined in the Annexes of Directive 2000/53/EC (ELV). Regarding the REACH Regulation, the information TE provides on SVHC in articles for this part number is based on the latest European Chemicals Agency (ECHA) 'Guidance on requirements for substances in articles' posted at this URL: <https://echa.europa.eu/guidance-documents/guidance-on-reach>

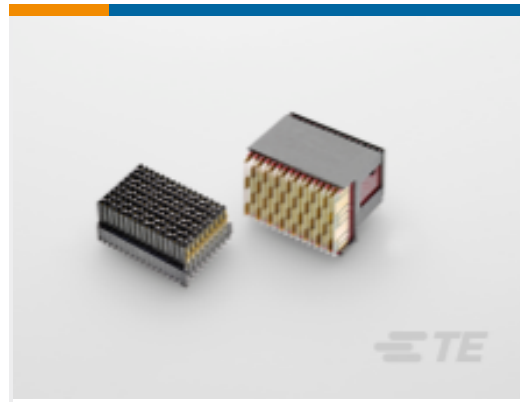
Compatible Parts



TE Part # 2000676-1
Keyed Guide Pin, Machined, Vita 46



TE Part # 2000713-1
RA Keyed Guide Mod, Vita 46, Machined



TE Part # 2302785-1
RA PLUG ASSY, 7ROW, CENTER, VPX, MG RT3

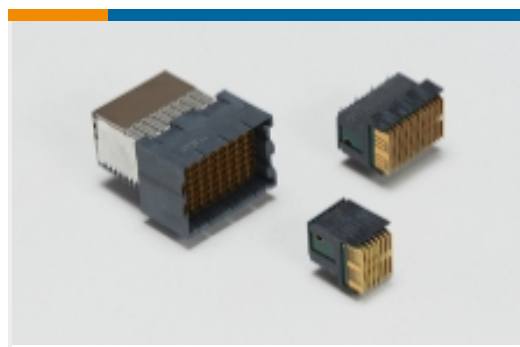


TE Part # 2302317-1
RA ASSY, 7 Row, Cent DP, MULTIGIG RT 2-S

Also in the Series | MULTIGIG RT 2-R

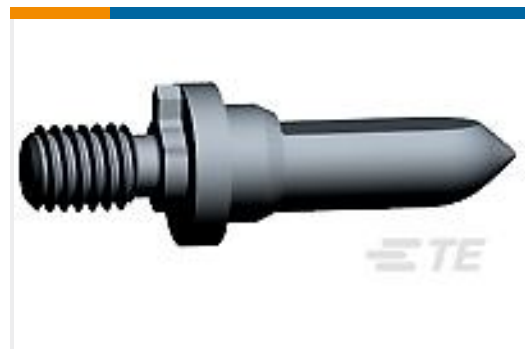


Backplane Guide Hardware(11)



High Speed Backplane Connectors(21)

Customers Also Bought



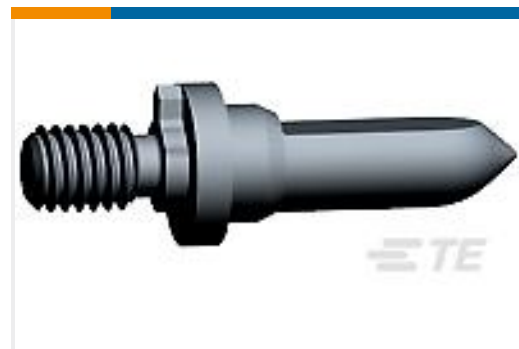
TE Part #2000676-1
Keyed Guide Pin, Machined, Vita 46



TE Part #2102771-1
DC, 7Row, Center, MULTIGIG RT 2R



TE Part #1-1469491-3
MULTIGIG RT GUIDE PIN, 9MM 4.20



TE Part #2000676-3
Keyed Guide Pin, Machined, Vita 46



TE Part #2302789-1
VERTRECCASSY, CENTER, MULTIGIG RT3



TE Part #2302790-1
VERTRECCASSY, RIGHTEND, MULTIGIG RT3



TE Part #2102768-1
BP, Center, RTM, MULTIGIG RT 2R



TE Part #2102847-1
DC, 7Row, Center, MULTIGIG RT 2R



Documents

Product Drawings

[BP, Half Left End, MULTIGIG RT 2R](#)

English

CAD Files

[3D PDF](#)

3D

[Customer View Model](#)

[ENG_CVM_CVM_2102735-1_D.2d_dxf.zip](#)

English

[Customer View Model](#)

[ENG_CVM_CVM_2102735-1_D.3d_igs.zip](#)

English

[Customer View Model](#)

[ENG_CVM_CVM_2102735-1_D.3d_stp.zip](#)

English

By downloading the CAD file I accept and agree to the [Terms and Conditions](#) of use.

Datasheets & Catalog Pages

[SOSA Aligned Interconnect Solutions](#)

English

[MULTIGIG RT 2-R Ruggedized Connectors](#)

English

[MULTIGIG RT 3 and RT 2-S Connectors](#)

English

Product Specifications

[Electrical Performance Report](#)

English

Product Environmental Compliance

[Product Compliance](#)

English

[Product Compliance](#)

English

2102735-1

High Speed Backplane Connectors, Board-to-Board, 72 Position, Mating Alignment,
Guide Pin Mating Alignment Type, 9 Row, 8 Column, MULTIGIG RT 2-R

