



Connectors > Power Connectors > Circular Power > Circular Power Connectors > CMC SERIES 1



Connector Product Type: **Housing**

Operating Voltage: **600 VDC**

Wire Size: **.05 – .2 mm²**

Connector System: **Wire-to-Wire**

[All CMC SERIES 1 \(24\)](#)

Features

Product Type Features

Connector Product Type	Housing
Connector System	Wire-to-Wire
Sealable	No
Connector & Contact Terminates To	Wire & Cable
Connector & Housing Type	Plug
Circular Connector Shell Type	Metal-Shell

Configuration Features

Reverse Numbering	Without
Number of Positions	7
Number of Power Positions	0
Keying	A
Number of Signal Positions	7

Electrical Characteristics

Operating Voltage	600 VAC
-------------------	---------

Contact Features

Reverse Gender	Yes
Contact Type	Pin



Contact Current Rating (Max)	13 A
------------------------------	------

Contact Protection	With
--------------------	------

Termination Features

Termination Method to Wire & Cable	Crimp & Solder
------------------------------------	----------------

Mechanical Attachment

Screw & Hole Thread Size	7/8-20 UNEF-2A
--------------------------	----------------

Mating Alignment	With
------------------	------

Mating Retention	With
------------------	------

Panel Mount Feature	Without
---------------------	---------

Mating Alignment Type	Keyed
-----------------------	-------

Mating Retention Type	Threaded Coupling
-----------------------	-------------------

Housing Features

Housing Plating Material	Nickel
--------------------------	--------

Body Orientation	Straight
------------------	----------

Housing Color	Black
---------------	-------

Housing Material	Thermoplastic
------------------	---------------

Circular Connector Shell Size	14
-------------------------------	----

Dimensions

Wire Size	.05 – .2 mm ²
-----------	--------------------------

Accepts Wire Insulation Diameter Range	2.67 mm [.105 in]
--	-------------------

Usage Conditions

Operating Temperature Range	-55 – 105 °C [-67 – 221 °F]
-----------------------------	-----------------------------

Fluid Resistance	None
------------------	------

Operation/Application

Circuit Application	Power & Signal
---------------------	----------------

Shielded	No
----------	----

Industry Standards

UL Flammability Rating	UL 94V-0
------------------------	----------

VDE Tested	No
------------	----

Packaging Features

Packaging Method	Carton
------------------	--------

Packaging Quantity	12
--------------------	----

Product Compliance

[For compliance documentation, visit the product page on TE.com>](#)

EU RoHS Directive 2011/65/EU	Compliant
EU ELV Directive 2000/53/EC	Compliant
China RoHS 2 Directive MIIT Order No 32, 2016	No Restricted Materials Above Threshold
EU REACH Regulation (EC) No. 1907/2006	Current ECHA Candidate List: JUNE 2022 (224) Candidate List Declared Against: JAN 2022 (223) SVHC > Threshold: Not Yet Reviewed
Halogen Content	Not Low Halogen - contains Br or Cl > 900 ppm.
Solder Process Capability	Not applicable for solder process capability

Product Compliance Disclaimer


This information is provided based on reasonable inquiry of our suppliers and represents our current actual knowledge based on the information they provided. This information is subject to change. The part numbers that TE has identified as EU RoHS compliant have a maximum concentration of 0.1% by weight in homogenous materials for lead, hexavalent chromium, mercury, PBB, PBDE, DBP, BBP, DEHP, DIBP, and 0.01% for cadmium, or qualify for an exemption to these limits as defined in the Annexes of Directive 2011/65/EU (RoHS2). Finished electrical and electronic equipment products will be CE marked as required by Directive 2011/65/EU. Components may not be CE marked. Additionally, the part numbers that TE has identified as EU ELV compliant have a maximum concentration of 0.1% by weight in homogenous materials for lead, hexavalent chromium, and mercury, and 0.01% for cadmium, or qualify for an exemption to these limits as defined in the Annexes of Directive 2000/53/EC (ELV). Regarding the REACH Regulation, the information TE provides on SVHC in articles for this part number is based on the latest European Chemicals Agency (ECHA) 'Guidance on requirements for substances in articles' posted at this URL: <https://echa.europa.eu/guidance-documents/guidance-on-reach>

Compatible Parts

 <p>TE Part # CAT-AM71-C83998C CMC SERIES 1</p>	 <p>TE Part # CAT-AM71-T98 TYPE II CONTACTS</p>	 <p>TE Part # CAT-AM71-T98E TYPE III CONTACTS LP</p>	 <p>TE Part # CAT-AM71-T98D TYPE III CONTACTS LP EMEA</p>
--	---	---	--




TE Part # CAT-AM71-T98A
TYPE III CONTACTS LP



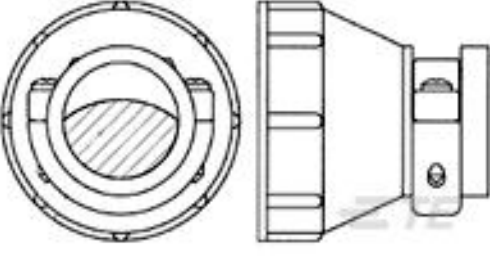
TE Part # CAT-AM71-T98G
TYPE III CONTACTS LP HIGH CURRENT



TE Part # CAT-AM71-T98B
TYPE III CONTACTS STRIP



TE Part # CAT-AM71-T98F
TYPE III CONTACTS STRIP HIGH CURRENT




TE Part # 208945-5
SZ 14 UNASSM KIT, CMC



TE Part # 91542-1
CCII TYPE III+ PIN SKT 24-22 ASSY



TE Part # 91515-1
CCII TYPE III+ MNL PIN SKT 30-20 ASSY



TE Part # 91519-1
CCII TYPE III+ PIN SKT 18-14 ASSY



TE Part # 91505-1
CCII TYPE III+ 24-16 ASSY



TE Part # 58495-1
PRO CRIMPER ASSY MULTIMATE



TE Part # 91523-1
CCII TYPE III+ PIN SKT 24-16 ASSY



TE Part # 91521-1
CCII TYPE III+ PIN SKT 18-14 ASSY



TE Part # 193846-1
SKT ASSY.



TE Part # 201613-1
CONTACT SOCKET ASSY.




TE Part # 601967-1
CRIMPING TOOL M22520/1-01




TE Part # 201328-1
CONTACT SOCKET ASSY.


Also in the Series | AMP CPC




Circular Connector Adapters(7)



Circular Connector Boots & Strain Relief(6)



Circular Connector Caps & Covers(16)



Circular Connector Hardware(3)



Circular Connector Keying Plugs(2)



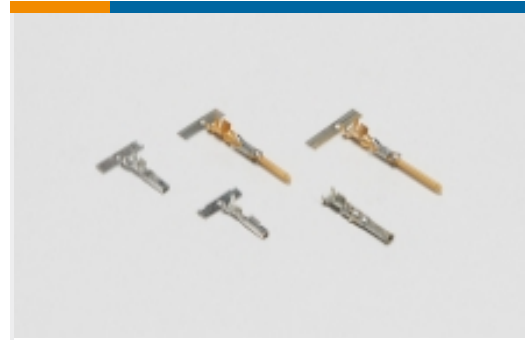
Circular Connector Seals(36)



Circular Power Connectors(516)



Insertion & Extraction Tools(1)



Power Contacts(6)



Sealing Sleeves(2)



Unscreened Circular Connector Backshells & Clamps(56)

Customers Also Bought



TE Part #3-6609107-3
PS0SXSS6A=C1079



TE Part #52922
TERMINAL,PIDG SPR SPD 26-22 4



TE Part #1-2308298-1
QL-SET FOR VAR. E LATCH PIN WITH GUIDE 1



TE Part #3-644465-6
06P MTA156 CONN ASSY 18AWG ORA



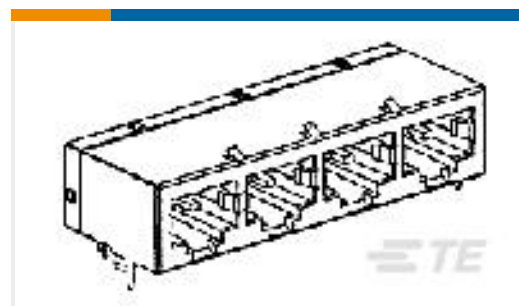
TE Part #3-641438-4
04P MTA156 PSTD CONN ASSY WHT



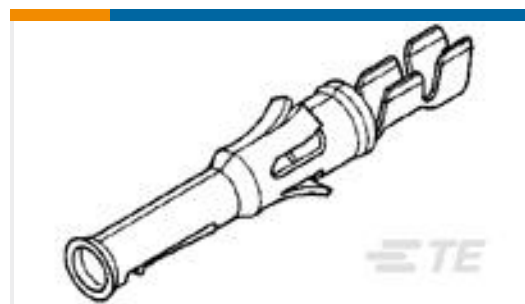
TE Part #5-103948-3
4X4 MTE SHRD PIN SR LATCH .100



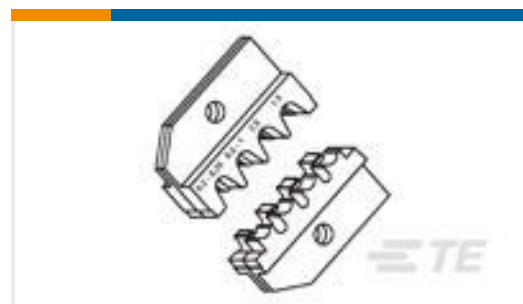
TE Part #4-1393104-7
KRPA-11DG-6=KRPA



TE Part #5558524-1
MJ,1X4,R/A,8P,PNL GND,CAT5 NT



TE Part #66590-1
TYPE VI SKT CONT,M-MATE,LP



TE Part #539746-2
DIE UMNL

Documents



Product Drawings

CMC PLUG ASSEMBLY,SZ 14

English

CAD Files

3D PDF

3D

Customer View Model

[ENG_CVM_CVM_208716-1_P.2d_dxf.zip](#)

English

Customer View Model

[ENG_CVM_CVM_208716-1_P.3d_igs.zip](#)

English

Customer View Model

[ENG_CVM_CVM_208716-1_P.3d_stp.zip](#)

English

3D PDF

English

Customer View Model

[ENG_CVM_208716-1_J.2d_dxf.zip](#)

English

Customer View Model

[ENG_CVM_208716-1_J.3d_igs.zip](#)

English

Customer View Model

[ENG_CVM_208716-1_J.3d_stp.zip](#)

English

By downloading the CAD file I accept and agree to the [Terms and Conditions](#) of use.

Datasheets & Catalog Pages

AMP Circular Connectors for Commercial Signal & Power Applications Continued

English

Product Specifications

Application Specification

English

Product Environmental Compliance

Product Compliance

English

Product Compliance

English

Instruction Sheets

Instruction Sheet (U.S.)

English



[Agency Approvals](#)

[UL Report](#)

English