

207467-1 ✓ ACTIVE

AMPLIMITE | AMPLIMITE Kit

TE Internal #: 207467-1

D-Sub Backshells & Clamps, Cable Clamp Kit, Box and Lid, 9  
Position, Size 1, Cable Exit Angle 180° (In-Line) / 90° (Right Angle),  
AMPLIMITE Kit

[View on TE.com >](#)



Connectors > D-Shaped Connectors > D-Sub Accessories > D-Sub Backshells & Clamps



D-Shaped Connector Accessories: **Cable Clamp Kit**

Cable Clamp Type: **Box and Lid**

Number of Positions: **9**

Compatible With Connector Shell Size: **1**

Shielded: **No**

## Features

### Product Type Features

Grommets	Without
D-Shaped Connector Accessories	Cable Clamp Kit
Sealable	No
Connector & Contact Terminates To	Wire & Cable

### Configuration Features

Number of Positions	9
---------------------	---

### Body Features

Shield Plating Material	None
Cable Clamp Material	Thermoplastic
Color	Black
Cable Clamp Type	Box and Lid
Cable Exit Angle	180° (In-Line), 90° (Right Angle)

### Mechanical Attachment

Screw & Hole Thread Size	None
--------------------------	------



### Dimensions

Cable Insulation Diameter Range	4.06 mm[.16 in]
---------------------------------	-----------------

### Operation/Application

Compatible With Connector Shell Size	1
Shielded	No

### Packaging Features

Packaging Quantity	1
Packaging Method	Individual

### Other

Comment	All parts are packaged unassembled., Cable diameter is adjustable by changing cable support gates. Use the flat side of cable support gates for discrete wire, and the semicircle side for jacketed cable.
---------	------------------------------------------------------------------------------------------------------------------------------------------------------------------------------------------------------------

### Product Compliance

[For compliance documentation, visit the product page on TE.com>](#)

EU RoHS Directive 2011/65/EU	Compliant
EU ELV Directive 2000/53/EC	Compliant
China RoHS 2 Directive MIIT Order No 32, 2016	No Restricted Materials Above Threshold
EU REACH Regulation (EC) No. 1907/2006	Current ECHA Candidate List: JUNE 2022 (224) Candidate List Declared Against: JAN 2022 (223) SVHC > Threshold: Not Yet Reviewed
Halogen Content	Not Low Halogen - contains Br or Cl > 900 ppm.
Solder Process Capability	Not applicable for solder process capability

#### Product Compliance Disclaimer

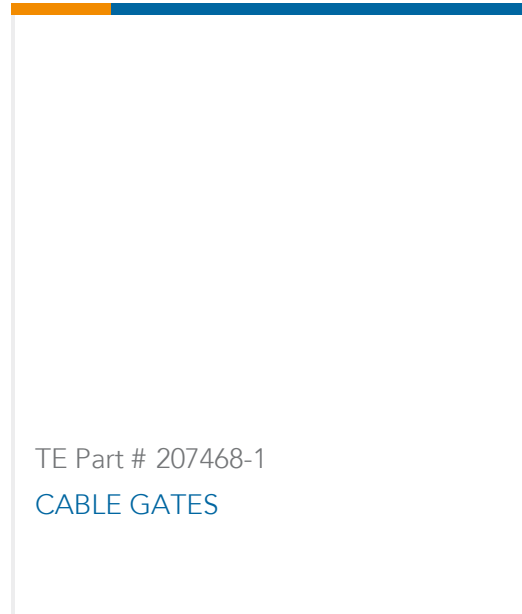
This information is provided based on reasonable inquiry of our suppliers and represents our current actual knowledge based on the information they provided. This information is subject to change. The part numbers that TE has identified as EU RoHS compliant have a maximum concentration of 0.1% by weight in homogenous materials for lead, hexavalent chromium, mercury, PBB, PBDE, DBP, BBP, DEHP, DIBP, and 0.01% for cadmium, or qualify for an exemption to these limits as defined in the Annexes of Directive 2011/65/EU (RoHS2). Finished electrical and electronic equipment products will be CE marked as required by Directive 2011/65/EU. Components may not be CE marked. Additionally, the part numbers that TE has identified as EU ELV compliant have a maximum concentration of 0.1% by weight in homogenous materials for lead, hexavalent chromium, and mercury, and 0.01% for cadmium, or qualify for an exemption to these limits as defined in the Annexes of Directive 2000/53/EC (ELV). Regarding the REACH Regulation, the information TE provides on SVHC in articles for this part number is based on the latest European Chemicals Agency (ECHA) 'Guidance on

requirements for substances in articles' posted at this URL: <https://echa.europa.eu/guidance-documents/guidance-on-reach>

## Compatible Parts

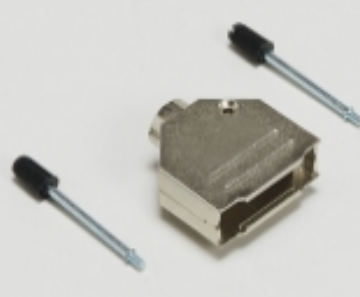


TE Part # 205204-4  
CRIMP SNAP PLUG ASSY, SIZE 1



TE Part # 207468-1  
CABLE GATES

## Also in the Series | AMPLIMITE Kit




D-Sub Backshells & Clamps(135)



D-Sub Contact Accessories(1)



D-Sub Covers(3)



D-Sub Locking & Mounting(122)

## Customers Also Bought



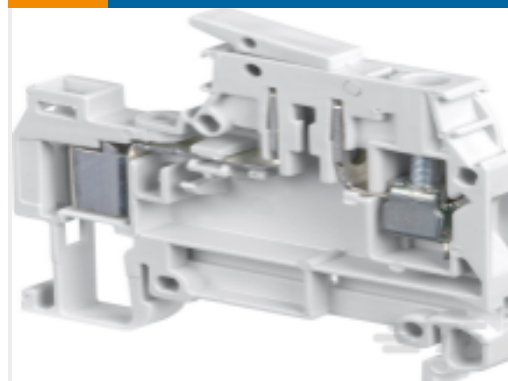
TE Part #644038-6  
06P MTA100 CONN ASSY RED 15AU



TE Part #201910-1  
JACKSCREW KIT



TE Part #2329384-4  
PB OFF/ON FC GRE M1 TERM IP68  
500MM L



TE Part #1SNA199107R2400  
D4/6.SN.ADO



TE Part #1210A-100G-3L  
100PSIG LONG BOARD MNT  
PRESSURE SENSOR

## Documents

[Product Drawings](#)  
[CABLE CLAMP KIT, SZ 1](#)



English

---

### CAD Files

Customer View Model

[ENG\\_CVM\\_CVM\\_207467-1\\_B.2d\\_dxf.zip](#)

English

### 3D PDF

3D

Customer View Model

[ENG\\_CVM\\_CVM\\_207467-1\\_B.3d\\_igs.zip](#)

English

Customer View Model

[ENG\\_CVM\\_CVM\\_207467-1\\_B.3d\\_stp.zip](#)

English

By downloading the CAD file I accept and agree to the [Terms and Conditions](#) of use.

---

### Datasheets & Catalog Pages

[AMPLIMITE Subminiature D Connectors - Cable Connectors](#)

English

[AMPLIMITE Cable Connectors and Shielding Hardware Kits QRG](#)

English

---

### Product Specifications

Product Specification

English

---

### Product Environmental Compliance

[MD\\_207467-1\\_0806201251](#)

English

[MD\\_207467-1\\_0806201251](#)

English

---

### Instruction Sheets

Instruction Sheet (U.S.)

English