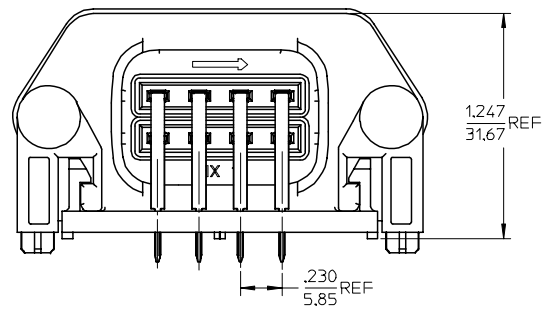
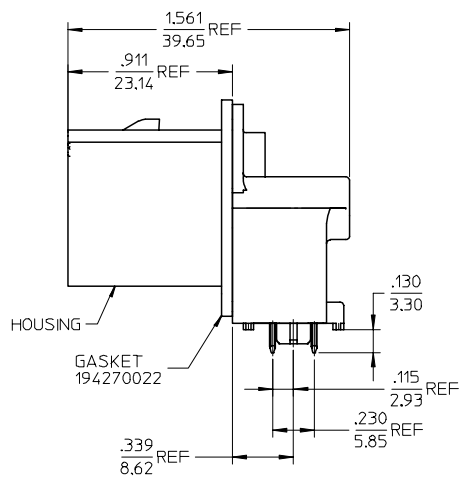
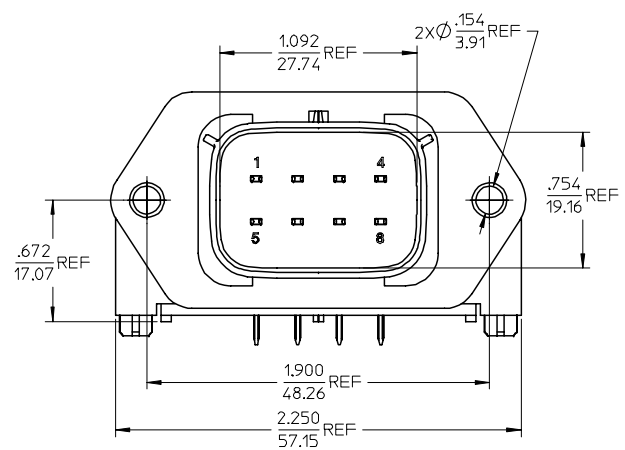


RECOMMENDED PCB LAYOUT COMPONENTS SIDE TOLERANCES ARE NON-ACCUMULATIVE



- NOTES:
- MATERIALS:
HOUSING: POLYESTER (PBT), GLASS FILLED, UL94 V-0,
COLOR: BLACK
TERMINALS: COPPER ALLOY
 - FINISHES: 1. TIN ONLY: 100MIN TIN OVER 50MIN NICKEL
2. TIN/GOLD: 30MIN SELECT GOLD (CONTACT MATING AREA),
100MIN SELECT TIN (PCB TAIL AREA) OVER 50MIN NICKEL OVERALL.
 - PRODUCT SPECIFICATION: PS-19427-001.
 - PACKAGING SPECIFICATION: PK-19427-001.
 - MATES WITH: 19418 SERIES RECEPTACLE ASSEMBLIES.
 - RECOMMENDED MOUNTING HARDWARE: (2) #10 X .62/18.9 LONG PLASTIC
THREAD CUTTING SCREWS. RECOMMENDED TORQUE 15-17 IN-LBS.
SUGGESTED SOURCE: ITW SHAKEPROOF INDUSTRIAL BOSSCREW OR EQUIVALENT.

REVISED REV	EFC NO: ETC2006-0028 DRAWN: JPAWLICK 2005/10/10 CHKD: JPAWLICK 2005/10/11 APPR: RDEROSS 2005/10/11	DESCRIPTION	QUALITY SYMBOLS =0 =0	GENERAL TOLERANCES (UNLESS SPECIFIED)		DIMENSION STYLE IN/MM		SCALE 2:1	DESIGN UNITS INCH	MATERIAL NO. 194270017	TERMINAL PLATING TIN
				4 PLACES ± --- ± ---	3 PLACES ± --- ± .015	2 PLACES ± 0.38 ± ---	1 PLACE ± --- ± ---	ANGULAR ± 1 °	DRAWN BY BRUPERT	DATE 04/07/28	TITLE 8 WAY RIGHT ANGLE HEADER ASSEMBLY
DRAFT WHERE APPLICABLE MUST REMAIN WITHIN DIMENSIONS				SEE CHART		MATERIAL NO. RDEROSS 04/07/28		MATERIAL NO. SD-19427-022		SHEET NO. 1 OF 1	
THIS DRAWING CONTAINS INFORMATION THAT IS PROPRIETARY TO MOLEX INCORPORATED AND SHOULD NOT BE USED WITHOUT WRITTEN PERMISSION											