



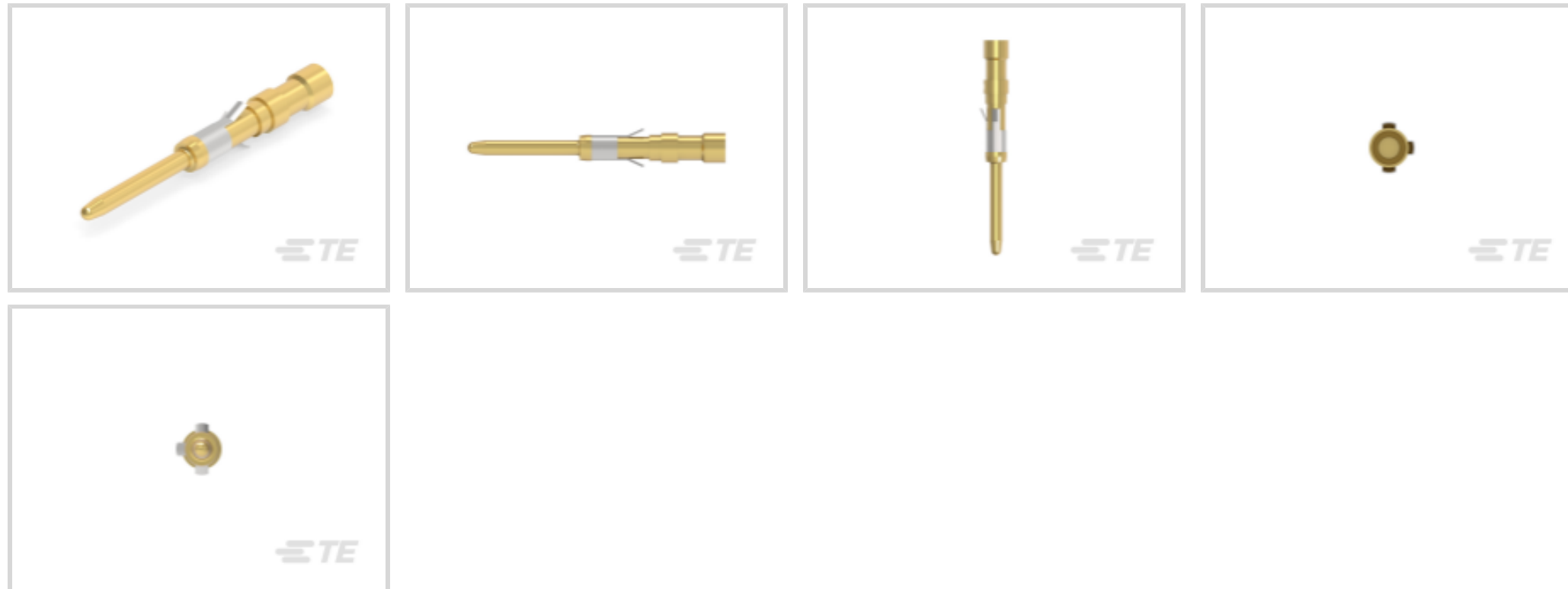
AMP | AMP Type II

TE Internal #: 202507-1

Power Contacts, Contact, Gold, 18 – 16 AWG Wire Size, .8 – 1.4 mm² Wire Size, Wire-to-Wire, 1 Position, Wire & Cable, Crimp, Signal, Pin, AMP Type II

[View on TE.com >](#)

Connectors > Power Connectors > Power Contacts > TYPE II CONTACTS



Power Contact Type: **Contact**

Contact Mating Area Plating Material: **Gold**

Wire Size: **.8 – 1.4 mm²**

Connector System: **Wire-to-Wire**

[All TYPE II CONTACTS \(16\)](#)

Features

Product Type Features

Power Contact Type	Contact
Connector System	Wire-to-Wire
Sealable	No
Connector & Contact Terminates To	Wire & Cable

Configuration Features

Number of Positions	1
---------------------	---

Electrical Characteristics

Test Current	13 A
--------------	------

Contact Features

Contact Mating Area Plating Material	Gold
Contact Current Rating (Max)	13 A
Contact Type	Pin
Contact Retention Within Housing	With



Mating Pin Diameter	1.57 mm[.062 in]
Contact Base Material	Brass
Contact Mating Area Plating Material Thickness	.76 μm[30 μin]
Contact Mating Area Plating Material Finish	Bright
Wire Contact Termination Area Plating Thickness	.76 μm[30 μin]
Wire Contact Termination Area Plating Material	Gold
Wire Contact Termination Area Plating Material Finish	Matte
Contact Orientation	Straight
Contact Underplating Material	Nickel
Contact Underplating Material Thickness	1.27 μm[50 μin]
Contact Size	16

Termination Features

Termination Method to Wire & Cable	Crimp
------------------------------------	-------

Mechanical Attachment

Contact Retention Type Within Housing	Snap-In
Wire Insulation Support	With

Dimensions

Wire Size	.8 – 1.4 mm ²
Accepts Wire Insulation Diameter Range	2.03 – 2.67 mm[.08 – .105 in]

Usage Conditions

Operating Temperature Range	-55 – 105 °C[-55 – 302 °F]
-----------------------------	----------------------------

Operation/Application

Circuit Application	Signal
---------------------	--------

Packaging Features

Packaging Method	Bag
Packaging Quantity	950

Other

Wire/Cable Type	Discrete Wire
For Use With	CPC Connectors, G Series Connectors, M Series Connectors
Comment	Use turret TH502 (p/n 1-601967-6) with hand tool 601967-1.



Product Compliance

[For compliance documentation, visit the product page on TE.com>](#)

EU RoHS Directive 2011/65/EU	Compliant with Exemptions
EU ELV Directive 2000/53/EC	Compliant with Exemptions
China RoHS 2 Directive MIIT Order No 32, 2016	Restricted Materials Above Threshold
EU REACH Regulation (EC) No. 1907/2006	Current ECHA Candidate List: JUNE 2022 (224) Candidate List Declared Against: JAN 2022 (223) SVHC > Threshold: Pb (2.5% in Component) Article Safe Usage Statements: Do not eat, drink or smoke when using this product. Wash thoroughly after handling. Recycle if possible and dispose of the article by following all applicable governmental regulations relevant to your geographic location.
Halogen Content	Low Halogen - Br, Cl, F, I < 900 ppm per homogenous material. Also BFR/CFR/PVC Free
Solder Process Capability	Not applicable for solder process capability

Product Compliance Disclaimer

This information is provided based on reasonable inquiry of our suppliers and represents our current actual knowledge based on the information they provided. This information is subject to change. The part numbers that TE has identified as EU RoHS compliant have a maximum concentration of 0.1% by weight in homogenous materials for lead, hexavalent chromium, mercury, PBB, PBDE, DBP, BBP, DEHP, DIBP, and 0.01% for cadmium, or qualify for an exemption to these limits as defined in the Annexes of Directive 2011/65/EU (RoHS2). Finished electrical and electronic equipment products will be CE marked as required by Directive 2011/65/EU. Components may not be CE marked. Additionally, the part numbers that TE has identified as EU ELV compliant have a maximum concentration of 0.1% by weight in homogenous materials for lead, hexavalent chromium, and mercury, and 0.01% for cadmium, or qualify for an exemption to these limits as defined in the Annexes of Directive 2000/53/EC (ELV). Regarding the REACH Regulation, the information TE provides on SVHC in articles for this part number is based on the latest European Chemicals Agency (ECHA) 'Guidance on requirements for substances in articles' posted at this URL: <https://echa.europa.eu/guidance-documents/guidance-on-reach>

Compatible Parts

<p>TE Part # CAT-AM71-C83998C CMC SERIES 1</p>	<p>TE Part # CAT-AM71-C83998Y CPC SERIES 1 SEALED ONE-PIECE</p>	<p>TE Part # CAT-AM71-C83998J CPC SERIES 1</p>	<p>TE Part # CAT-AM71-C83998K CPC SERIES 6</p>
--	---	--	--





TE Part # 200893-2
INSERTION TOOL CONT



TE Part # 539972-1
EXTRACTION TOOL



TE Part # 305183
EXTRACT TOOL TYPE 2 20-16



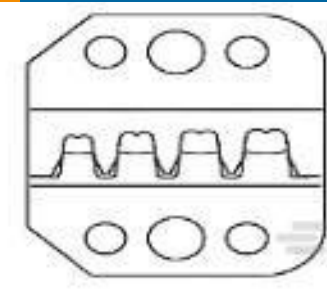
TE Part # 601967-1
CRIMPING TOOL M22520/1-01



TE Part # 58541-1
PRO-CRIMPER HAND TOOL & DIE



TE Part # 91539-1
CCII TYPE II SKT 22-14 2x18 ASSY




TE Part # 58541-2
PRO-CRIMPER HAND TOOL DIE




TE Part # 1-601967-6
POSITIONER TYPE II CONTACTS

Also in the Series | AMP Type II



Insertion & Extraction Tools(4)



Power Contacts(35)

Customers Also Bought



TE Part #201570-1
CONTACT PIN ASSY.



TE Part #TAD14141111-007
M12D4-MS-PVC TYPE B-10.0M



TE Part #1423162-2
7022AB=RLY,STD,OFF,2P,120VAC,5



TE Part #643234-1
06P UMNL HDR ASSY R/A 94VO



TE Part #3-2213772-5
AV22 SPL 5A MOVE RING LED GREEN 24V



TE Part #35112
TERMINAL, PIDG R 12-10 3/8



TE Part #208131-1
CPC RECPT ASSEMBLY, SIZE 13-9



TE Part #324058
TERMINAL, T-N R 1/0 1/2



Documents

Product Drawings

[CONTACT PIN ASSY.](#)

English

CAD Files

[3D PDF](#)

3D

Customer View Model

[ENG_CVM_CVM_202507-1_J.2d_dxf.zip](#)

English

Customer View Model

[ENG_CVM_CVM_202507-1_J.3d_igs.zip](#)

English

Customer View Model

[ENG_CVM_CVM_202507-1_J.3d_stp.zip](#)

English

Customer View Model

[ENG_CVM_202507-1_F.3d_igs.zip](#)

English

Customer View Model

[ENG_CVM_202507-1_F.3d_stp.zip](#)

English

Customer View Model

[ENG_CVM_202507-1_F.2d_dxf.zip](#)

English

[3D PDF](#)

English

By downloading the CAD file I accept and agree to the [Terms and Conditions](#) of use.

Datasheets & Catalog Pages

[AMP Circular Connectors for Commercial Signal & Power Applications](#)

English

[Signal Contacts](#)

English

[M_SERIES_PIN_AND_SOCKET_CONNECTORS](#)



English

Product Specifications

[Application Specification](#)

Japanese

[Application Specification](#)

English

Product Environmental Compliance

[TE Material Declaration](#)

English

Instruction Sheets

[Instruction Sheet \(U.S.\)](#)

Japanese

[Instruction Sheet \(U.S.\)](#)

English