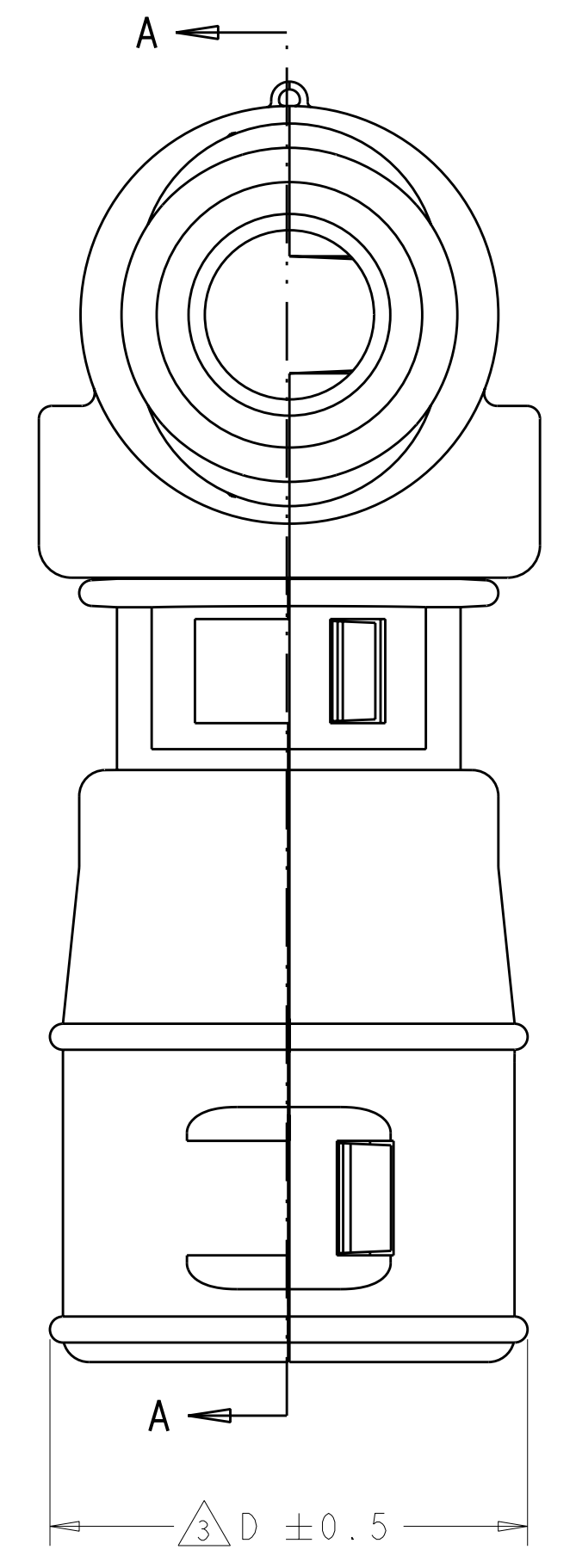
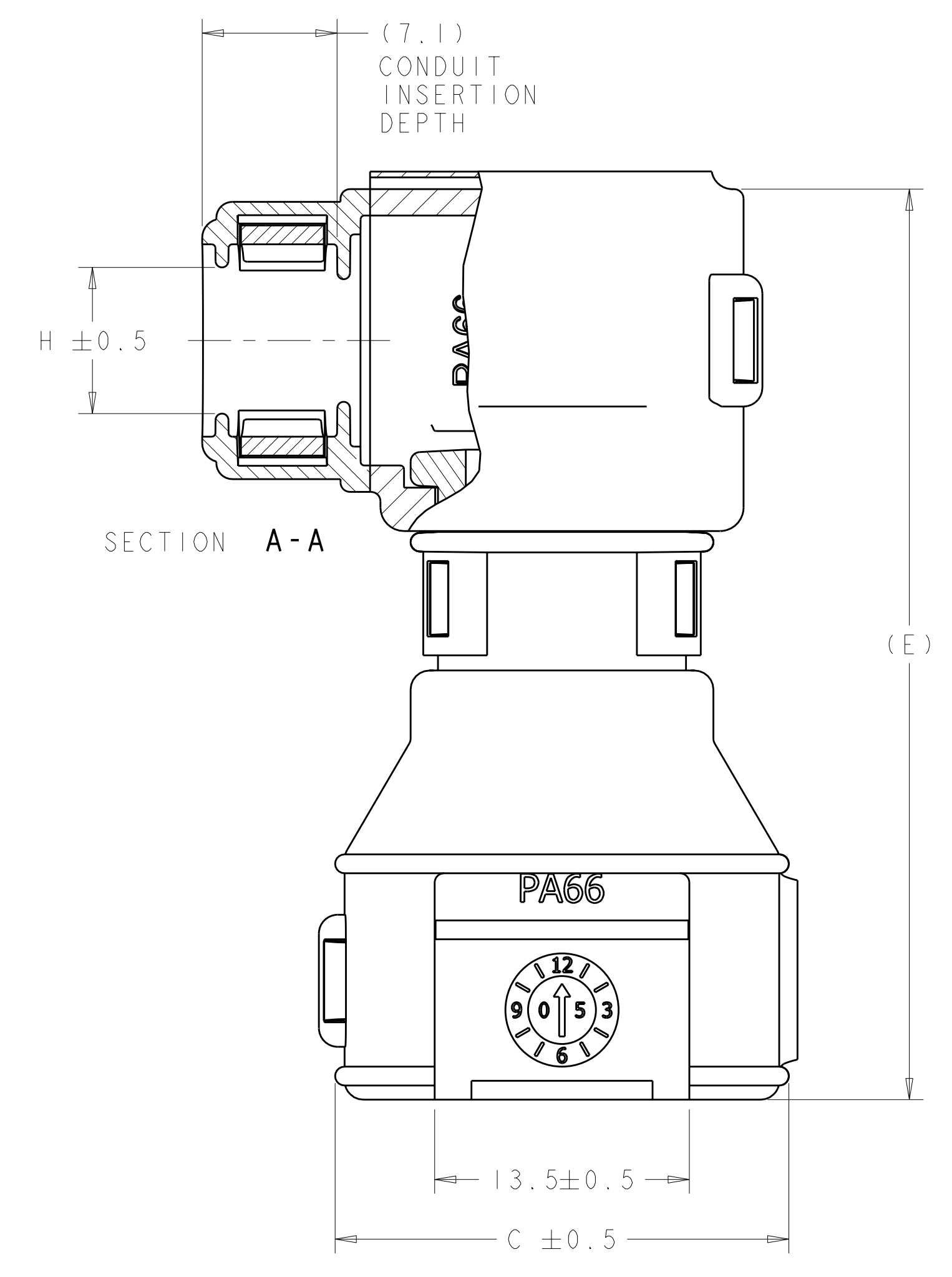
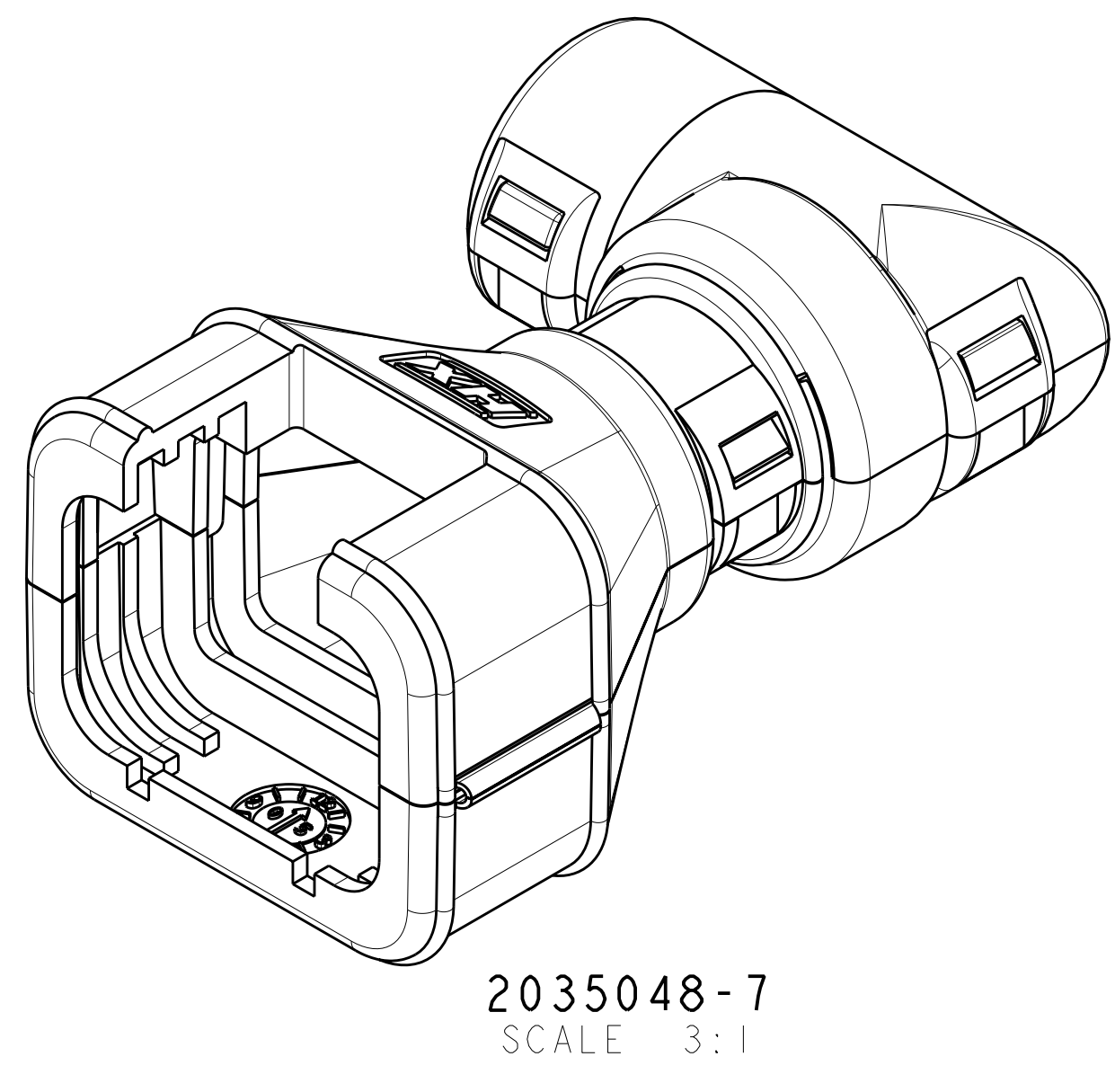
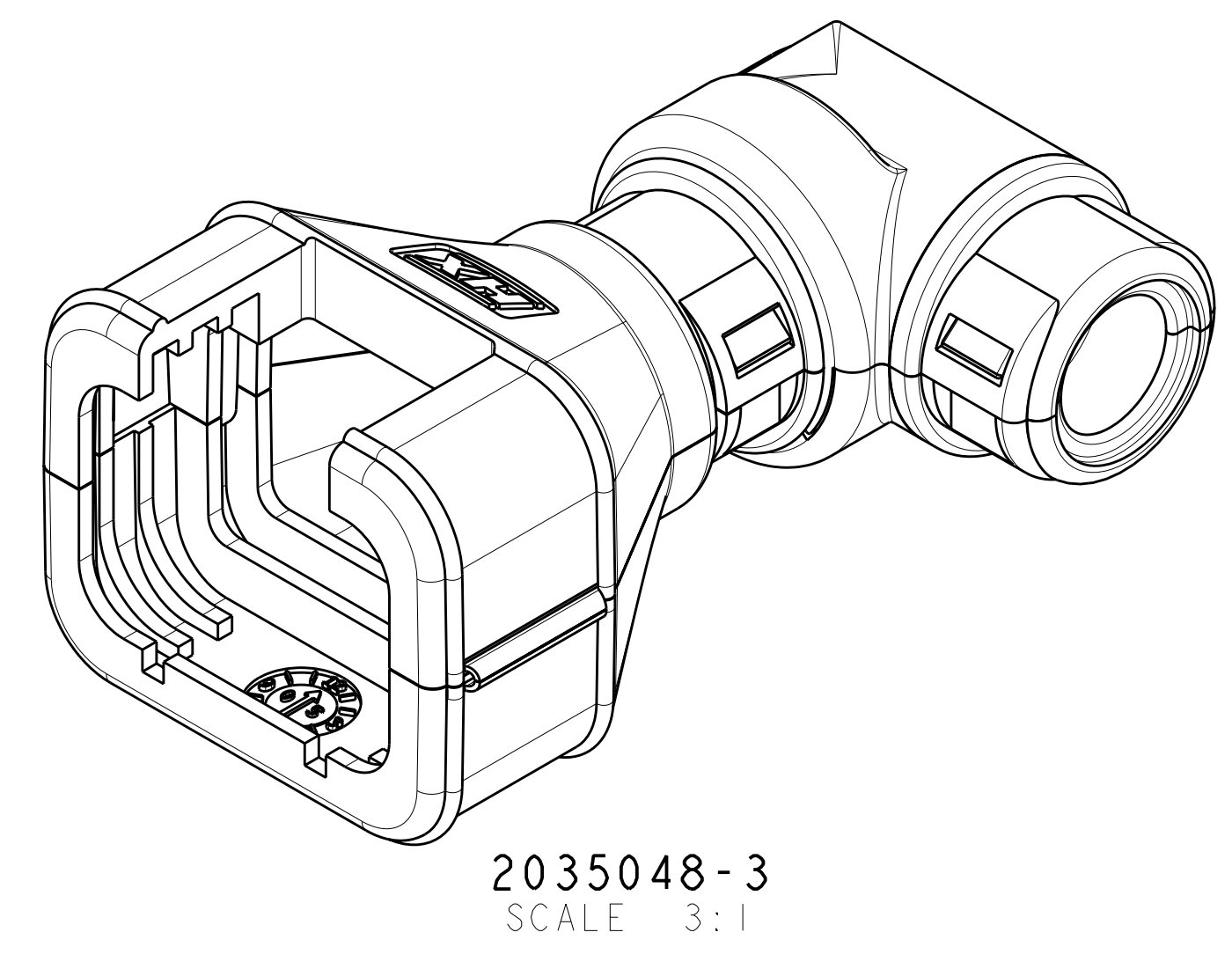
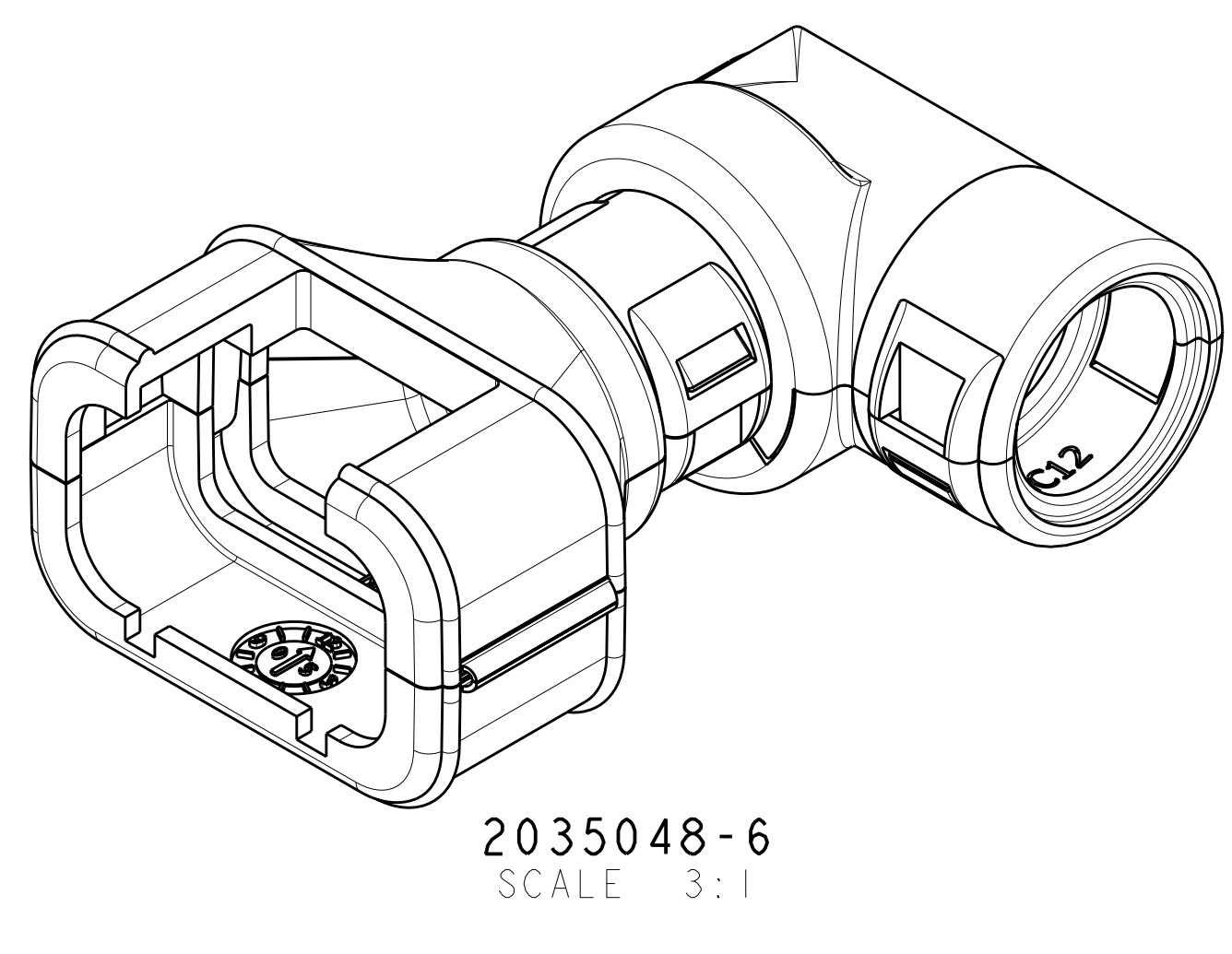
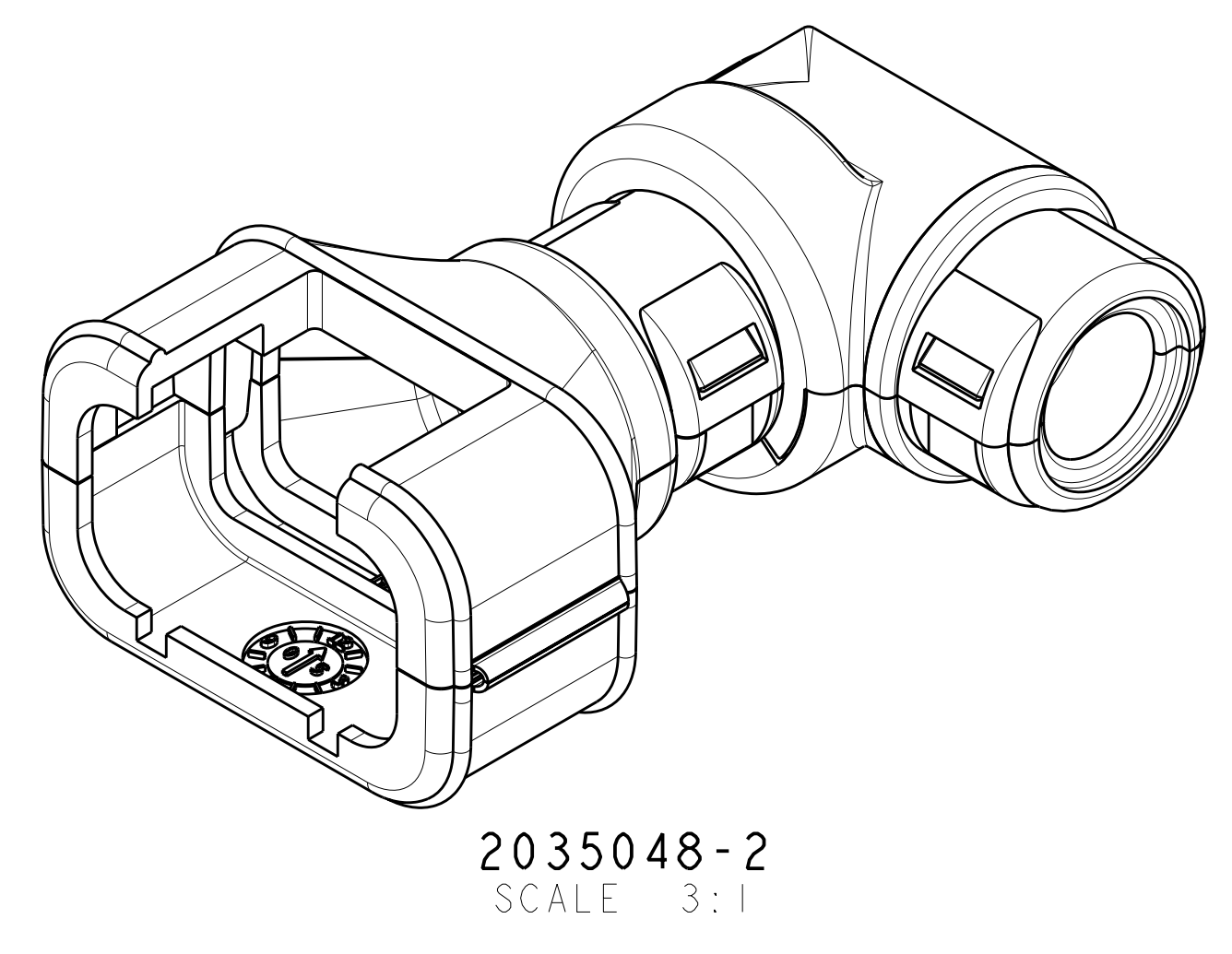
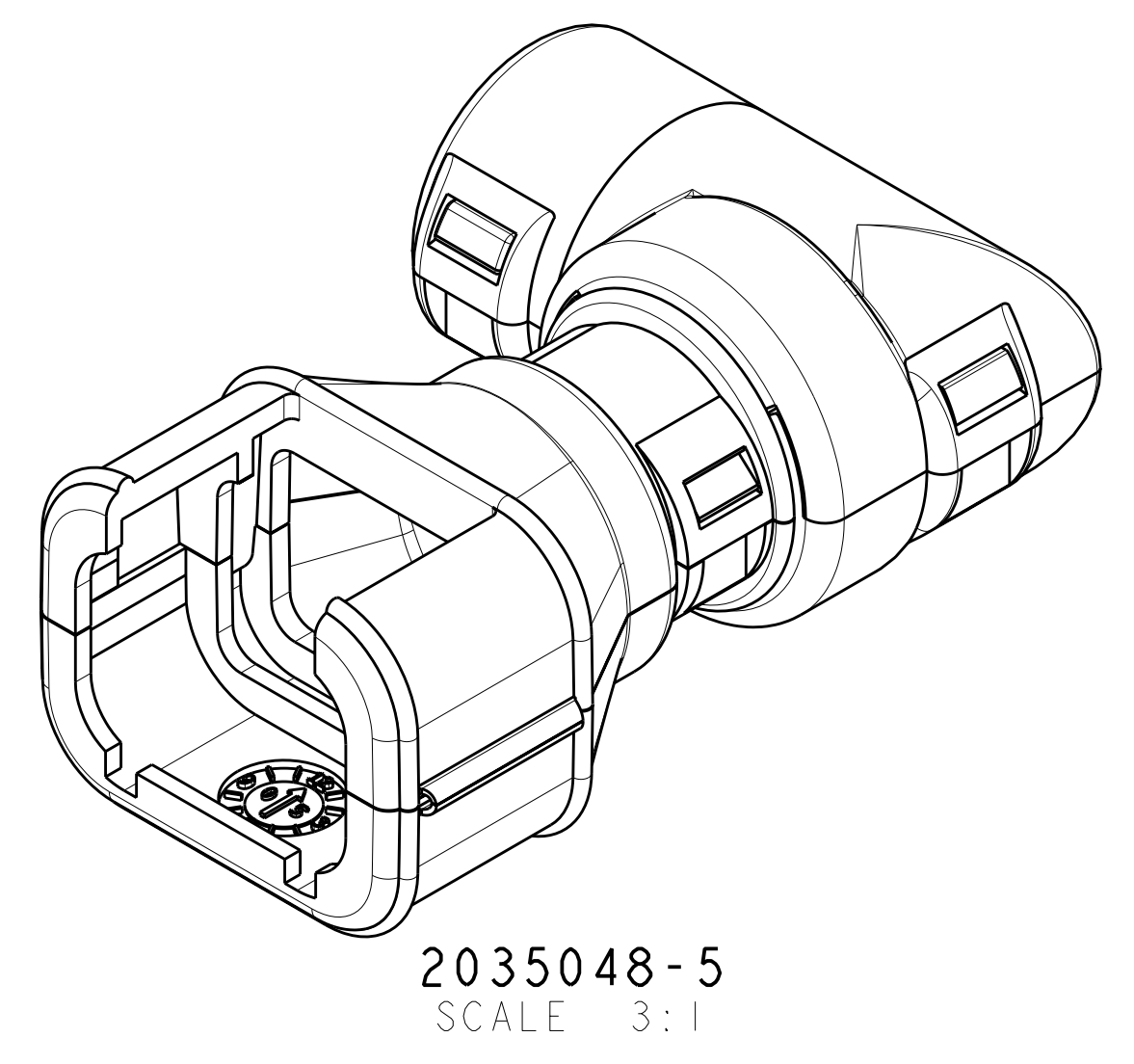
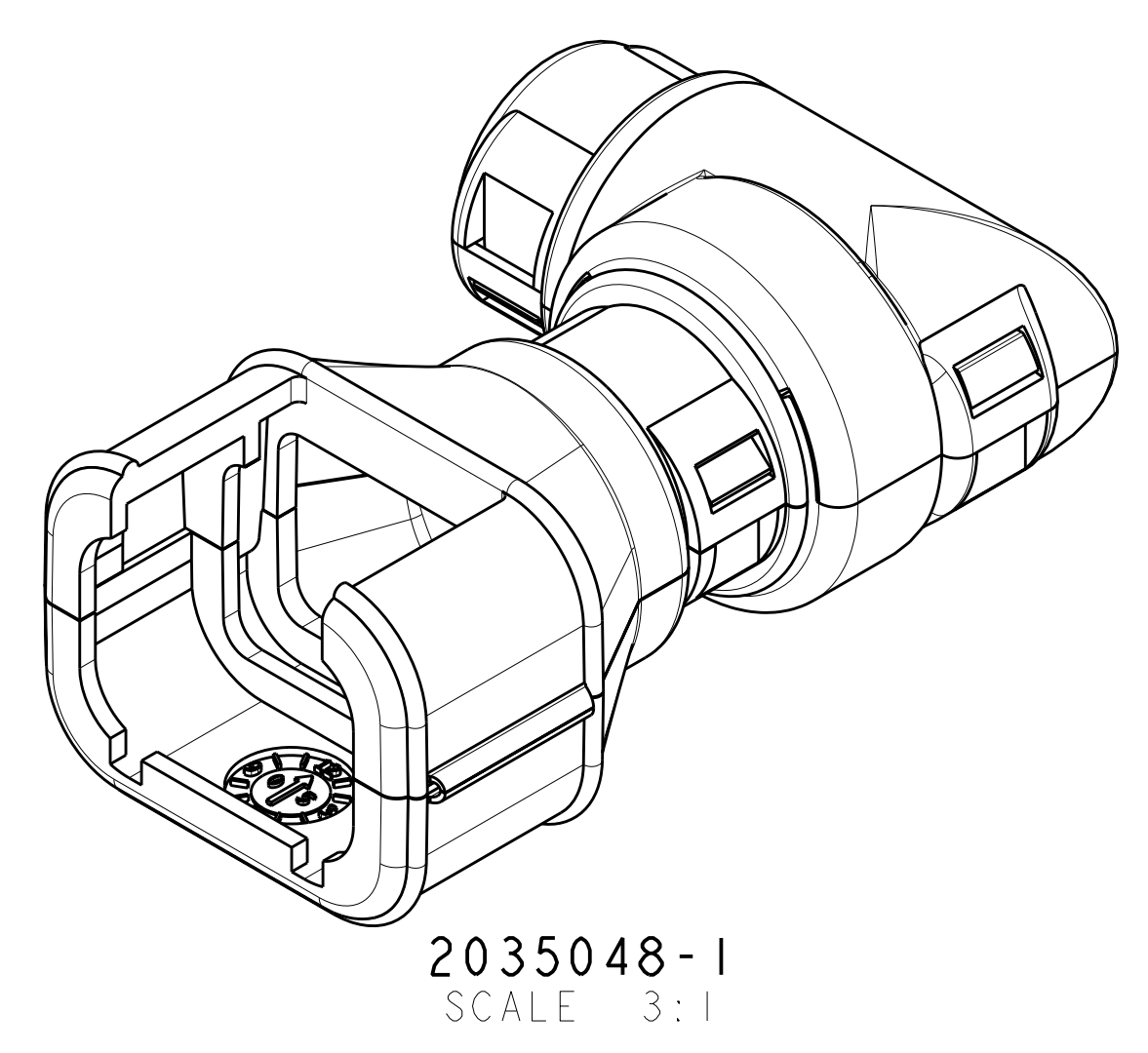


| LOC | DIST | REV | DATE | BY | APPV |
|-----|------|-----|-----------|----|------|
| FX | 00 | | | | |
| B | | | 16APR2009 | DD | RB |
| C | | | 30SEP2011 | DD | RB |

- ⚠ BACKSHELL IS NOT CURRENTLY TOOLED FOR PRODUCTION.
- 2. ELBOW DESIGN ALLOWS FOR 360° EXIT ROTATION.
- ⚠ DIMENSION TO BE MEASURED WHEN THE COVER IS CLOSED.



| TE PART NUMBER | ASSY POSN | NOMINAL CONDUIT SIZE | | NOMINAL DIMENSIONS | | | |
|----------------|-----------|------------------------|-----|--------------------|------|------|------|
| | | NC | NW | C | D | (E) | H |
| 2035048-1 | 2 | 08 | 7.5 | 23.9 | 18.3 | 48.3 | 7.8 |
| 2035048-2 | 3 | 08 | 7.5 | 28.5 | 18.3 | 48.3 | 7.8 |
| 2035048-3 | 4 | 08 | 7.5 | 29.1 | 23.6 | 52.3 | 7.8 |
| 2035048-4 | 6 | ⚠ NOT CURRENTLY TOOLED | | | | | |
| 2035048-5 | 2 | 12 | 10 | 23.9 | 18.3 | 48.3 | 11.0 |
| 2035048-6 | 3 | 12 | 10 | 28.5 | 18.3 | 48.3 | 11.0 |
| 2035048-7 | 4 | 12 | 10 | 29.1 | 23.6 | 52.3 | 11.0 |
| 2035048-8 | 6 | ⚠ NOT CURRENTLY TOOLED | | | | | |
| 2035048-9 | 8 | ⚠ NOT CURRENTLY TOOLED | | | | | |

| | | | | | |
|--|------|------------------|-----------|-----------|--|
| THIS DRAWING IS A CONTROLLED DOCUMENT. | | DWN | J. MARKEY | 28MAR2008 | TE Connectivity BACKSHELL, AMPSEAL 16, 90 DEGREE EXIT |
| DIMENSIONS: mm | | CHK | J. MARKEY | 28MAR2008 | |
| TOLERANCES UNLESS OTHERWISE SPECIFIED: | | APVD | J. MARKEY | 28MAR2008 | NAME |
| 0 PLC | ± | PRODUCT SPEC | | | SIZE |
| 1 PLC | ±0.5 | APPLICATION SPEC | | | CAGE CODE |
| 2 PLC | ± | WEIGHT | | | DRAWING NO |
| 3 PLC | ± | CUSTOMER DRAWING | | | RESTRICTED TO |
| 4 PLC | ± | SCALE 4:1 | | | SHEET 1 OF 1 |
| 5 PLC | ± | REV C | | | |
| 6 PLC | ± | | | | |
| 7 PLC | ± | | | | |
| 8 PLC | ± | | | | |
| ANGLES | ± | | | | |
| FINISH | - | | | | |
| MATERIAL NYLON 6/6 | | | | | |