

2-967616-1 ✓ ACTIVE

AMP | MQS

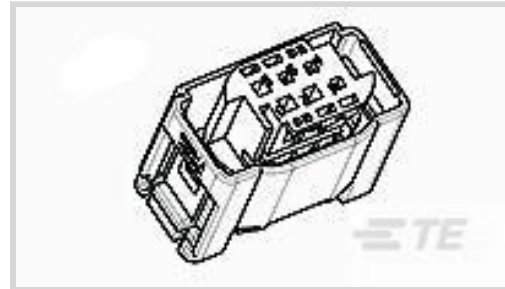
TE Internal #: 2-967616-1

Housing for Female Terminals, Wire-to-Wire / Wire-to-Board / Wire-to-Device, 6 Position, 2.54 mm Centerline, Sealable, Gray, Signal, MQS

[View on TE.com >](#)



Connectors > Automotive Connectors > Connector Housings > MQS, CONNECTOR HOUSING



Connector & Housing Type: **Housing for Female Terminals**

Mating Tab Width: **.63 mm [ .025 in ]**

Connector System: **Wire-to-Board, Wire-to-Device, Wire-to-Wire**

Number of Positions: **6**

Centerline (Pitch): **2.54 mm**

[All MQS, CONNECTOR HOUSING \(557\)](#)

## Features

### Product Type Features

Connector & Housing Shape	Rectangular
Connector & Housing Type	Housing for Female Terminals
Connector System	Wire-to-Board, Wire-to-Device, Wire-to-Wire
Sealable	Yes
Hybrid Connector	No
Primary Locking Feature	On the Terminal

### Configuration Features

Number of Positions	6
Number of Rows	2

### Electrical Characteristics

Operating Voltage	50 VDC
Nominal Voltage Architecture	12 V, 24 V, 42 V, 48 V

### Body Features

Cable Exit Angle	180°
Body Material	PBT GF
Primary Product Color	Gray



Connector Code	B
----------------	---

### Contact Features

Contact Size	.63mm
Contact Type	Receptacle
Mating Tab Width	.63 mm[.025 in]

### Mechanical Attachment

Terminal Position Assurance	Yes
Strain Relief	Without
Mating Alignment Type	Keyed
Mating Alignment	With
Connector Mounting Type	Cable Mount (Free-Hanging)

### Housing Features

Centerline (Pitch)	2.54 mm
--------------------	---------

### Dimensions

Product Width	17 mm[.669 in]
Product Height	24 mm[.945 in]
Row-to-Row Spacing	6 mm[.236 in]

### Usage Conditions

Operating Temperature (Max)	70 °C, 75 °C, 80 °C, 85 °C, 90 °C, 100 °C, 105 °C, 110 °C, 120 °C[158 °F][167 °F][176 °F][185 °F][194 °F][212 °F][221 °F][230 °F][248 °F]
Operating Temperature Range	-40 – 120 °C[-40 – 248 °F]

### Operation/Application

Circuit Application	Signal
---------------------	--------

### Packaging Features

Packaging Quantity	1100
Packaging Method	Bag

### Other

Serviceable	Yes
Connector Position Assurance Capable	No

## Product Compliance




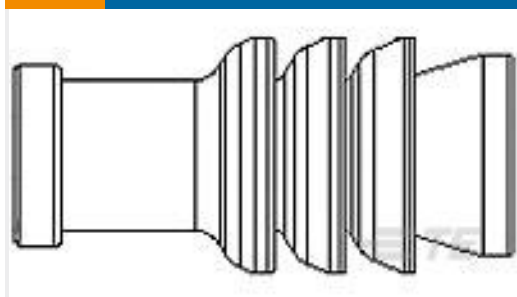
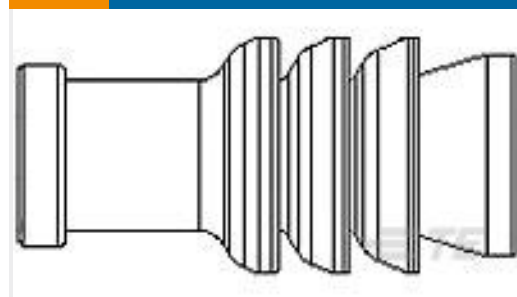
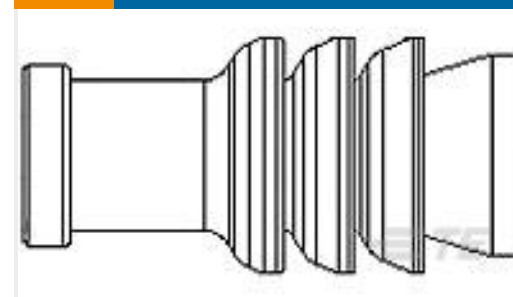


[For compliance documentation, visit the product page on TE.com>](#)

EU RoHS Directive 2011/65/EU	Compliant
EU ELV Directive 2000/53/EC	Compliant
China RoHS 2 Directive MIIT Order No 32, 2016	No Restricted Materials Above Threshold
EU REACH Regulation (EC) No. 1907/2006	Current ECHA Candidate List: JUNE 2022 (224) Candidate List Declared Against: JAN 2022 (223) SVHC > Threshold: Not Yet Reviewed
Halogen Content	Not Low Halogen - contains Br or Cl > 900 ppm.
Solder Process Capability	Not applicable for solder process capability

Product Compliance Disclaimer

This information is provided based on reasonable inquiry of our suppliers and represents our current actual knowledge based on the information they provided. This information is subject to change. The part numbers that TE has identified as EU RoHS compliant have a maximum concentration of 0.1% by weight in homogenous materials for lead, hexavalent chromium, mercury, PBB, PBDE, DBP, BBP, DEHP, DIBP, and 0.01% for cadmium, or qualify for an exemption to these limits as defined in the Annexes of Directive 2011/65/EU (RoHS2). Finished electrical and electronic equipment products will be CE marked as required by Directive 2011/65/EU. Components may not be CE marked. Additionally, the part numbers that TE has identified as EU ELV compliant have a maximum concentration of 0.1% by weight in homogenous materials for lead, hexavalent chromium, and mercury, and 0.01% for cadmium, or qualify for an exemption to these limits as defined in the Annexes of Directive 2000/53/EC (ELV). Regarding the REACH Regulation, the information TE provides on SVHC in articles for this part number is based on the latest European Chemicals Agency (ECHA) 'Guidance on requirements for substances in articles' posted at this URL: <https://echa.europa.eu/guidance-documents/guidance-on-reach>

## Compatible Parts

 <p>TE Part # 1-967587-3 6POS MQS TAB SEALED COD A</p>	 <p>TE Part # 967056-1 MQS BLINDSTOPFEN4MM</p>	 <p>TE Part # 967067-1 MQS SGL WIRE SEAL</p>	 <p>TE Part # 967067-2 MQS EINZELLEITDICHT</p>
 <p>TE Part # CAT-M8793-T273 MQS, RECEPTACLE AND TAB</p>	 <p>TE Part # 1241637-1 6pos MQS .63 header 90deg</p>	 <p>TE Part # 1897096-2 WIRE COVER FOR MQS SLD 6P CONN'R</p>	

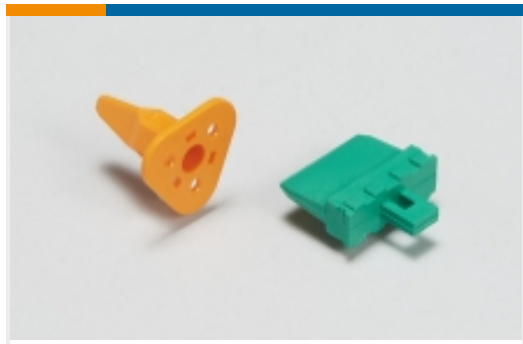
## Also in the Series | MQS



Automotive Connector Caps & Covers (132)



Automotive Connector EMC Shielding (2)



Automotive Connector Locks & Position Assurance(29)



Automotive Housings(489)



Automotive Seals & Cavity Plugs(26)



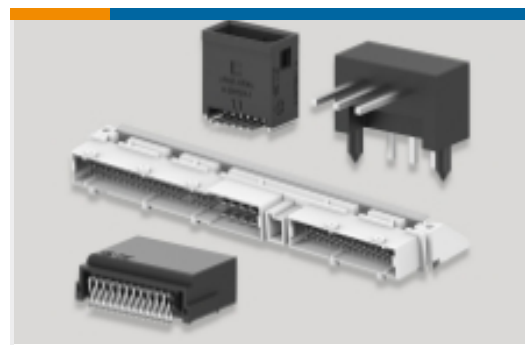
Automotive Terminals(96)



Insertion & Extraction Tools(42)



Other Automotive Connector Accessories(13)



PCB Headers & Receptacles(207)

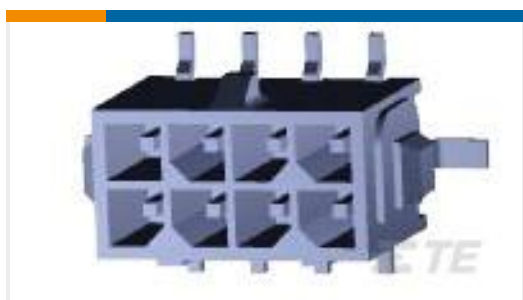
## Customers Also Bought



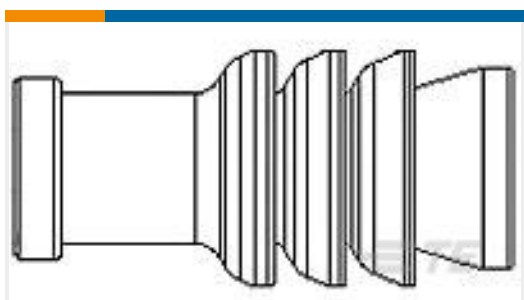
TE Part #6-2176070-6  
3521 5K1 1% 2W



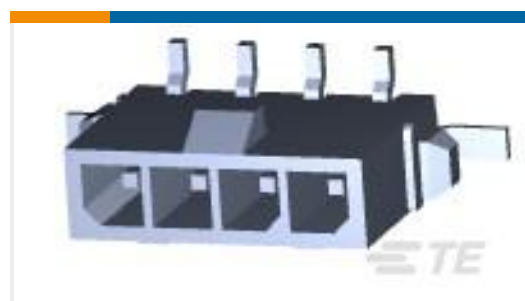
TE Part #2-1445096-2  
MICRO MNL HDR ASSY SINGLE ROW



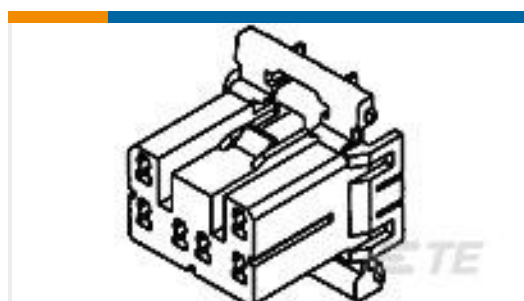
TE Part #3-794637-8  
08P MICRO MNL ASSY,VRT,SMT LF



TE Part #967056-1  
MQS BLINDSTOPFEN4MM



TE Part #2-1445087-4  
MICRO MNL HDR ASSY S/ROW AU LF



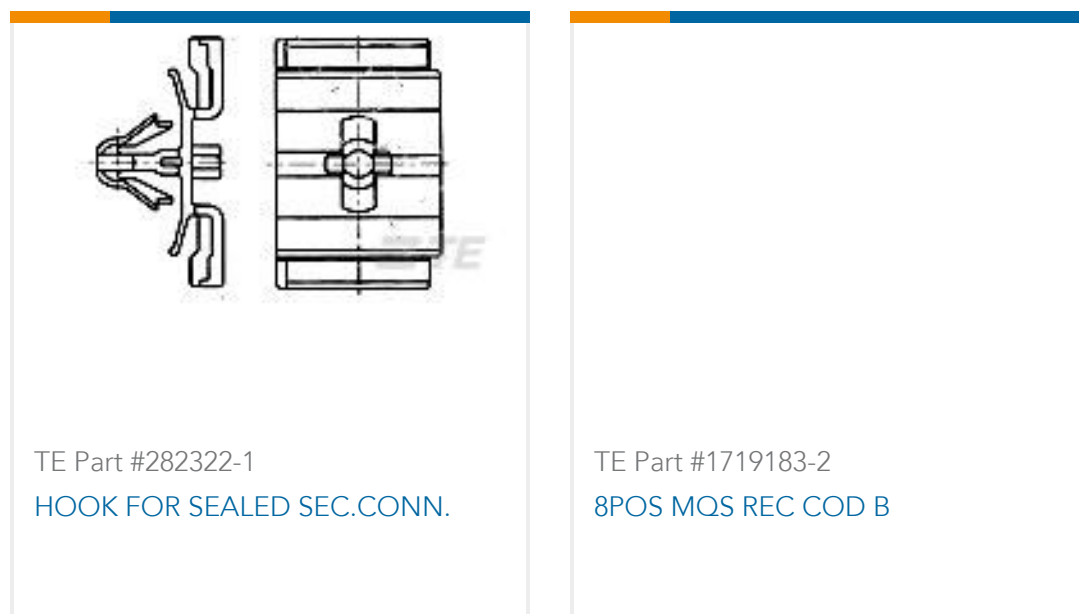
TE Part #174465-1  
070 MULTILOCK 10P B DOUBLE



TE Part #2-967587-3  
6POS MQS TAB SEALED COD B



TE Part #2-1445091-4  
MICRO MNL HDR ASSY S/ROW AU LF



## Documents

### Product Drawings

#### 6POS MQS REC SEALED COD B

English

### CAD Files

#### Customer View Model

[ENG\\_CVM\\_CVM\\_2-967616-1\\_F.2d\\_dxf.zip](#)

English

#### 3D PDF

3D

#### Customer View Model

[ENG\\_CVM\\_CVM\\_2-967616-1\\_F.3d\\_igs.zip](#)

English

#### Customer View Model

[ENG\\_CVM\\_CVM\\_2-967616-1\\_F.3d\\_stp.zip](#)

English

By downloading the CAD file I accept and agree to the [Terms and Conditions](#) of use.

### Datasheets & Catalog Pages

#### Micro Quadlok Interconnection System (MQS)

English

### Product Specifications

#### Application Specification

English

[CONNEXIONS ETANCHES 2,3,4,6,8 ET 12 POSITIONS Micro Quadlock System Micro Twinleaf](#)

English

#### Application Specification

English

[SHROUDED CONNECTION, 6 POS.](#)

English

#### Application Specification

English