



AMP | AMP Metrimate

TE Internal #: 208404-1

Rectangular Connector Housings, Wire-to-Board, 10 Position, .2 in [5.08 mm] Centerline, 1 Row, Nylon 6/6, Plug, Socket, AMP Metrimate

[View on TE.com >](#)

Connectors > Rectangular Connectors > Rectangular Connector Housings



Connector System: **Wire-to-Board**

Number of Positions: **10**

Centerline (Pitch): **5.08 mm [.2 in]**

Row-to-Row Spacing: **5.08 mm [.2 in]**

Number of Rows: **1**

Features

Product Type Features

Insertion Force Type	Normal
Connector System	Wire-to-Board
Connector & Housing Type	Plug
Sealable	No
Connector & Contact Terminates To	Printed Circuit Board
Connector Type	Housing
Product Type	Connector
Wire/Cable Type	Discrete Wire
Wire Type	Stranded

Configuration Features

Number of Positions	10
Number of Rows	1

Electrical Characteristics

Operating Voltage	600 VDC
-------------------	---------



Contact Features

Contact Layout	Inline
Contact Type	Socket
Contact Current Rating (Max)	14 A

Mechanical Attachment

Panel Mount Feature	Without
Connector Mounting Type	Cable Mount (Free-Hanging)

Housing Features

Centerline (Pitch)	5.08 mm[.2 in]
Housing Material	Nylon 6/6
Housing Color	Black

Dimensions

Row-to-Row Spacing	5.08 mm[.2 in]
Width	9.14 mm

Usage Conditions

Operating Temperature Range	-55 – 130 °C[-67 – 266 °F]
-----------------------------	----------------------------

Operation/Application

Circuit Application	Power & Signal
For Use With	Header

Industry Standards

Agency/Standard	CSA, UL
CSA File Number	LR16455
VDE Tested	Yes
UL File Number	E28476
UL Flammability Rating	UL 94V-0
UL Rating	Certified, Recognized

Packaging Features

Packaging Quantity	100
Packaging Method	Box

Product Compliance

[For compliance documentation, visit the product page on TE.com>](#)

EU RoHS Directive 2011/65/EU	Compliant
EU ELV Directive 2000/53/EC	Compliant
China RoHS 2 Directive MIIT Order No 32, 2016	No Restricted Materials Above Threshold
EU REACH Regulation (EC) No. 1907/2006	Current ECHA Candidate List: JUNE 2022 (224) Candidate List Declared Against: JAN 2022 (223) SVHC > Threshold: Not Yet Reviewed
Halogen Content	Not Low Halogen - contains Br or Cl > 900 ppm.
Solder Process Capability	Not applicable for solder process capability

Product Compliance Disclaimer

This information is provided based on reasonable inquiry of our suppliers and represents our current actual knowledge based on the information they provided. This information is subject to change. The part numbers that TE has identified as EU RoHS compliant have a maximum concentration of 0.1% by weight in homogenous materials for lead, hexavalent chromium, mercury, PBB, PBDE, DBP, BBP, DEHP, DIBP, and 0.01% for cadmium, or qualify for an exemption to these limits as defined in the Annexes of Directive 2011/65/EU (RoHS2). Finished electrical and electronic equipment products will be CE marked as required by Directive 2011/65/EU. Components may not be CE marked. Additionally, the part numbers that TE has identified as EU ELV compliant have a maximum concentration of 0.1% by weight in homogenous materials for lead, hexavalent chromium, and mercury, and 0.01% for cadmium, or qualify for an exemption to these limits as defined in the Annexes of Directive 2000/53/EC (ELV). Regarding the REACH Regulation, the information TE provides on SVHC in articles for this part number is based on the latest European Chemicals Agency (ECHA) 'Guidance on requirements for substances in articles' posted at this URL: <https://echa.europa.eu/guidance-documents/guidance-on-reach>

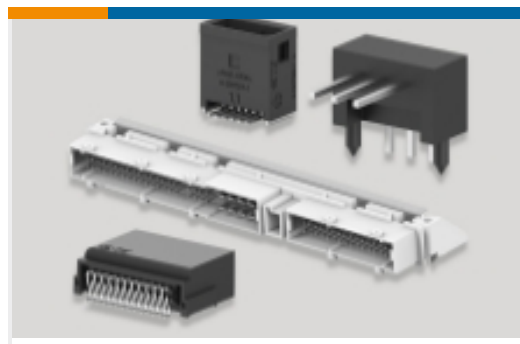
Compatible Parts

 <p>TE Part # 207654-1 KEYING PLUG</p>	 <p>TE Part # 3-208403-2 PIN HDR ASSY,10P,MMATE LF</p>	 <p>TE Part # 3-208403-3 PIN HDR ASSY,10P,MMATE LF</p>	 <p>TE Part # 3-208403-4 PIN HDR ASSY,10P,MMATE LF</p>
---	--	---	---

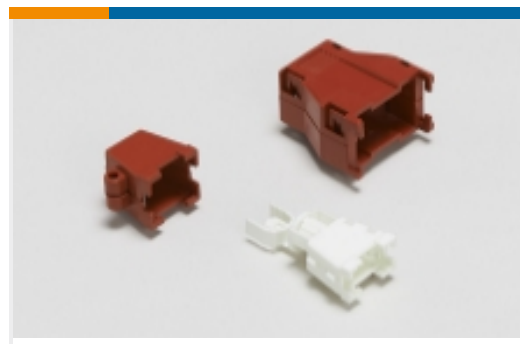
Also in the Series | **AMP Metrimate**



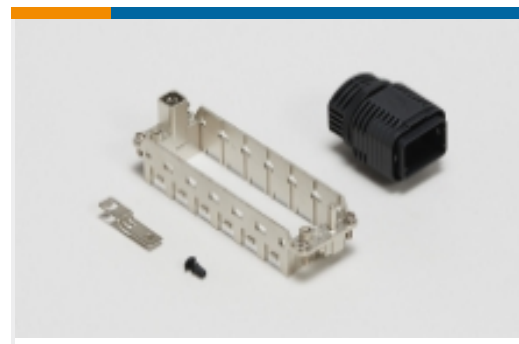
Insertion & Extraction Tools(1)



PCB Headers & Receptacles(83)



Rectangular Boots & Strain Relief(5)



Rectangular Connector Hardware(3)



Rectangular Connector Housings(35)



Rectangular Connector Keying Plugs(1)



Rectangular Contact Inserts(4)



Rectangular Power Connectors(2)



Standard Rectangular Connectors(5)

Customers Also Bought



TE Part #4-641210-2
12P MTA156 HDR FLRA FB 30AU LF



TE Part #194002-1
PIN ASSY..070



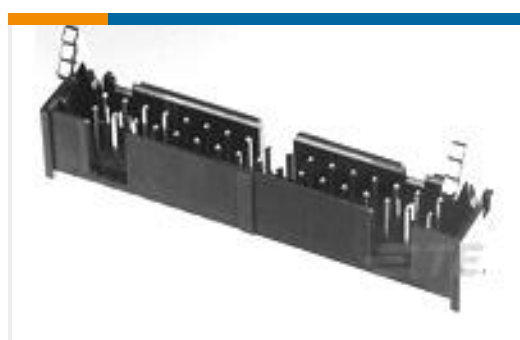
TE Part #1-640389-3
13P MTA156 HDR ASSY SQ R/A F/L



TE Part #1-644752-7
17P MTA156 HDR ASSY SQ STR F/L



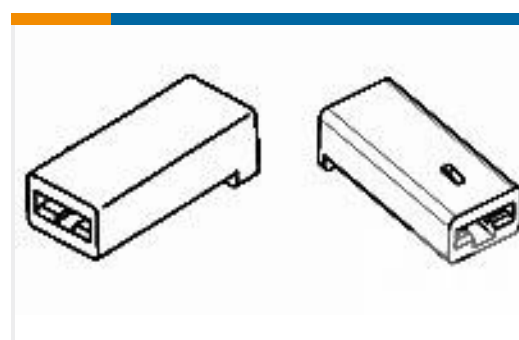
TE Part #5-2176328-5
CRGP 1206 330K 1%



TE Part #104313-1
010 LOPRO HDR SP 30DP LATCH



TE Part #4-640426-7
17P MTA156 CONN ASSY 18AWG ORA



TE Part #480054-5
FF 250 REC HSG 1P NYLON RED

Documents



Product Drawings

[PLUG,10 POSN,IN-LINE METRIC](#)

English

CAD Files

[3D PDF](#)

3D

Customer View Model

[ENG_CVM_CVM_208404-1_AF.2d_dxf.zip](#)

English

Customer View Model

[ENG_CVM_CVM_208404-1_AF.3d_igs.zip](#)

English

Customer View Model

[ENG_CVM_CVM_208404-1_AF.3d_stp.zip](#)

English

Customer View Model

[ENG_CVM_208404-1_C.3d_igs.zip](#)

English

Customer View Model

[ENG_CVM_208404-1_C.3d_stp.zip](#)

English

Customer View Model

[ENG_CVM_208404-1_C.2d_dxf.zip](#)

English

[3D PDF](#)

English

By downloading the CAD file I accept and agree to the [Terms and Conditions](#) of use.

Product Specifications

[Application Specification](#)

English

[Application Specification](#)

English

[METRIMATE Self-Locking Connectors](#)

Japanese

[Application Specification](#)

Japanese

Product Environmental Compliance

[TE Material Declaration](#)

English

[MD_208404-1_012020152118_dmtec](#)

English

[MD_208404-1_012020152118_dmtec](#)



English

[Agency Approvals](#)

[UL Report](#)

English