

2-520083-2 ✓ ACTIVE

Ultra-Fast | Ultra-Fast 110

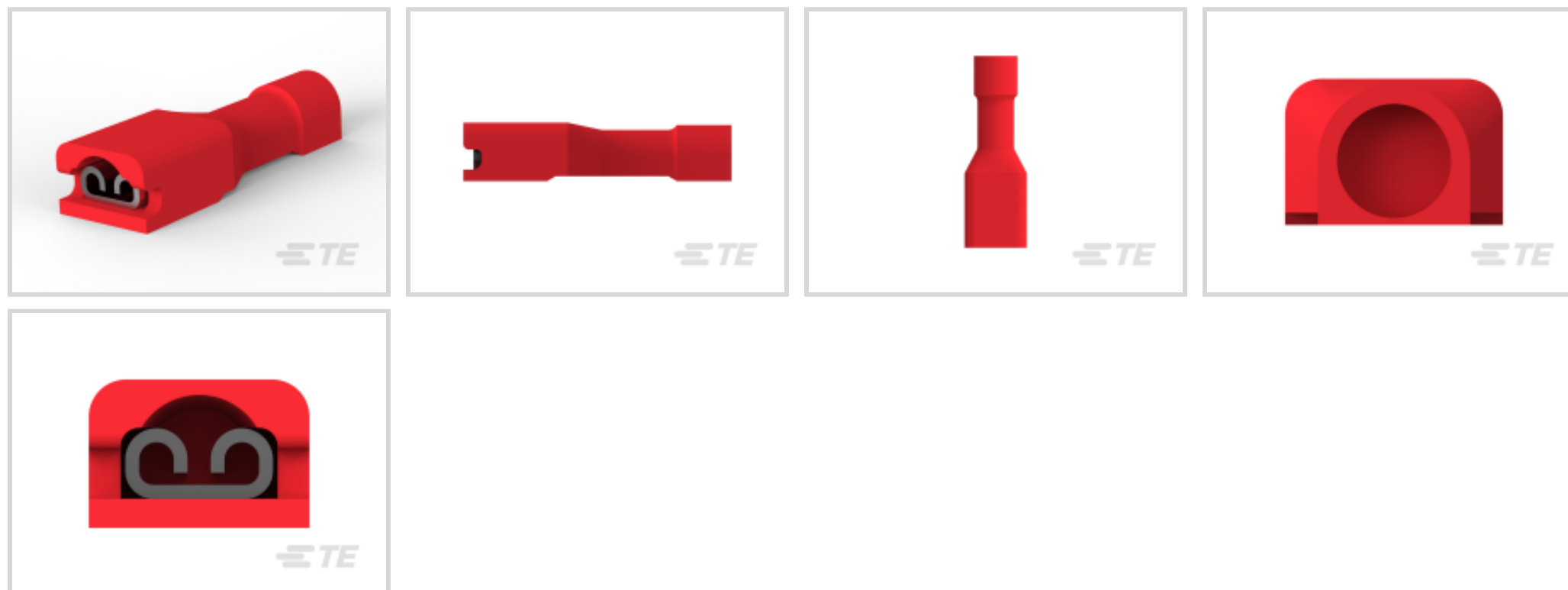
TE Internal #: 2-520083-2

Quick Disconnects, Receptacle, 22 – 18 AWG Wire Size, .32 – .82 mm<sup>2</sup> Wire Size, Mating Tab Width .125 in / .11 in [2.8 mm / 3.18 mm], Ultra-Fast 110

[View on TE.com >](#)



Terminals & Splices > Quick Disconnects



Quick Disconnect Terminal Type: **Receptacle**

Wire Size: .32 – .82 mm<sup>2</sup>

Mating Tab Width: 2.8 mm, 3.18 mm [ .11 in, .125 in ]

Mating Tab Thickness: .51 mm [ .02 in ]

## Features

### Product Type Features

|                 |              |
|-----------------|--------------|
| Terminates To   | Wire & Cable |
| Wire/Cable Type | Regular Wire |
| Wire Stop       | Yes          |
| Insertion Force | Normal       |
| Sealable        | No           |

### Configuration Features

|                     |        |
|---------------------|--------|
| Connection Capacity | Single |
|---------------------|--------|

### Electrical Characteristics

|               |       |
|---------------|-------|
| Voltage (Max) | 600 V |
|---------------|-------|

### Body Features

|                     |       |
|---------------------|-------|
| Insulation Material | Nylon |
|---------------------|-------|

### Contact Features

|                                |                                   |
|--------------------------------|-----------------------------------|
| Quick Disconnect Terminal Type | Receptacle                        |
| Mating Tab Width               | 2.8 mm, 3.18 mm [.11 in][.125 in] |



|                           |                |
|---------------------------|----------------|
| Mating Tab Thickness      | .51 mm[.02 in] |
| Terminal Orientation      | Straight       |
| Contact Base Material     | Brass          |
| Terminal Plating Material | Tin            |
| Crimp Type                | F-Crimp        |
| Barrel Type               | Closed         |

### Mechanical Attachment

|                         |        |
|-------------------------|--------|
| Mating Retention Type   | Dimple |
| Wire Insulation Support | With   |

### Dimensions

|  |                           |
|--|---------------------------|
| Accepts Wire Insulation Diameter Range | 3.05 mm[.12 in]           |
| Receptacle Terminal Stock Thickness    | .41 mm[.016 in]           |
| Overall Length                         | 18.67 mm[.735 in]         |
| Wire Size                              | .32 – .82 mm <sup>2</sup> |

### Usage Conditions

|                             |                            |
|-----------------------------|----------------------------|
| Insulation Option           | Uninsulated                |
| Operating Temperature Range | -40 – 110 °C[-40 – 230 °F] |

### Industry Standards

|                        |          |
|------------------------|----------|
| UL Flammability Rating | UL 94V-2 |
| UL Rating              | Listed   |

### Packaging Features

|                    |            |
|--------------------|------------|
| Packaging Quantity | 3000       |
| Packaging Method   | Strip/Reel |

### Other

|              |     |
|--------------|-----|
| Barrel Color | Red |
|--------------|-----|

### Product Compliance

[For compliance documentation, visit the product page on TE.com>](#)

|   |   |
|---|---|
| EU RoHS Directive 2011/65/EU                  | Compliant                               |
| EU ELV Directive 2000/53/EC                   | Compliant                               |
| China RoHS 2 Directive MIIT Order No 32, 2016 | No Restricted Materials Above Threshold |
| EU REACH Regulation (EC) No. 1907/2006        |   |



Current ECHA Candidate List: JUNE 2022 (224)  
 Candidate List Declared Against: JUNE 2022 (224)  
 Does not contain REACH SVHC

Halogen Content

Low Halogen - Br, Cl, F, I < 900 ppm per homogenous material. Also BFR/CFR/PVC Free

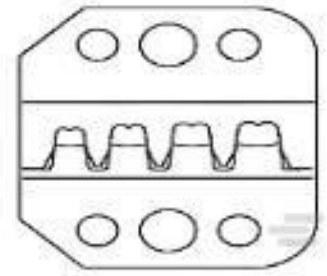
Solder Process Capability

Not applicable for solder process capability

Product Compliance Disclaimer

This information is provided based on reasonable inquiry of our suppliers and represents our current actual knowledge based on the information they provided. This information is subject to change. The part numbers that TE has identified as EU RoHS compliant have a maximum concentration of 0.1% by weight in homogenous materials for lead, hexavalent chromium, mercury, PBB, PBDE, DBP, BBP, DEHP, DIBP, and 0.01% for cadmium, or qualify for an exemption to these limits as defined in the Annexes of Directive 2011/65/EU (RoHS2). Finished electrical and electronic equipment products will be CE marked as required by Directive 2011/65/EU. Components may not be CE marked. Additionally, the part numbers that TE has identified as EU ELV compliant have a maximum concentration of 0.1% by weight in homogenous materials for lead, hexavalent chromium, and mercury, and 0.01% for cadmium, or qualify for an exemption to these limits as defined in the Annexes of Directive 2000/53/EC (ELV). Regarding the REACH Regulation, the information TE provides on SVHC in articles for this part number is based on the latest European Chemicals Agency (ECHA) 'Guidance on requirements for substances in articles' posted at this URL: <https://echa.europa.eu/guidance-documents/guidance-on-reach>

## Compatible Parts



TE Part # 58628-2  
PROCIMP DIESET 26-14 ULTRAFAST



TE Part # 58628-1  
PROCIMP T&D 26-14 ULTRAFAST



TE Part # 90390-3  
DIES ULTRA-FAST FASTON 22-18 DIE SET



TE Part # 2-2151698-2  
OCEAN\_2.0\_APPLICATOR-S-FA-1760



TE Part # 2151698-2  
OCEAN\_2.0\_APPLICATOR-S-FA-1760



TE Part # 7-2151698-2  
OCEAN\_2.0\_APPLICATOR-S-FA-1760



TE Part # 7-2151698-7  
OCEAN\_2.0\_SPARE\_PART\_KIT-1760

Also in the Series | **Ultra-Fast 110**

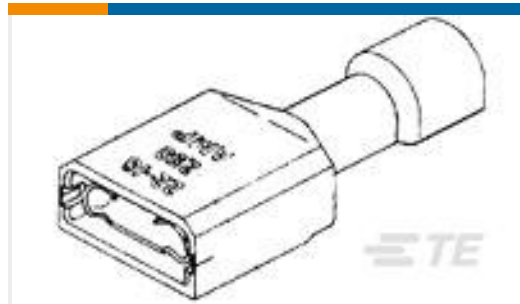


Quick Disconnects(14)

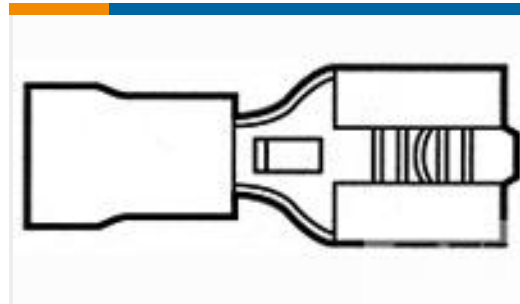
## Customers Also Bought



TE Part #8-320882-1  
PIDG R 22-16 COMM 22-18 MIL 4



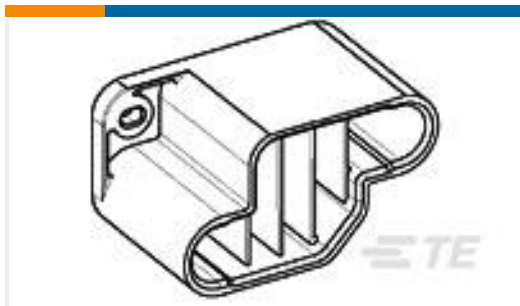
TE Part #3-350815-2  
ULTRA-FAST 187 ASY REC 16-14 AWG TPBR



TE Part #696018-2  
RCPT,PIDG FASTON 22-18 205,LIF



TE Part #5-1879352-7  
RR02 5% 68R AMMO



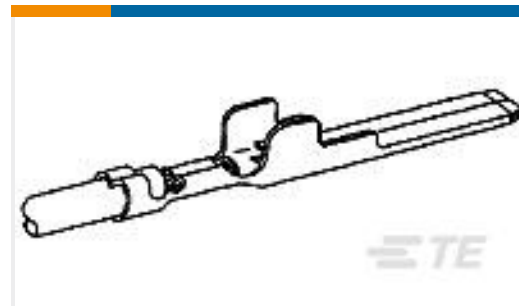
TE Part #1337362-1  
10P DRAWER CONN. TAB HSG.



TE Part #3-2299282-2  
POD-LOK 250 STR. AWG 18-14 PTPBR GF



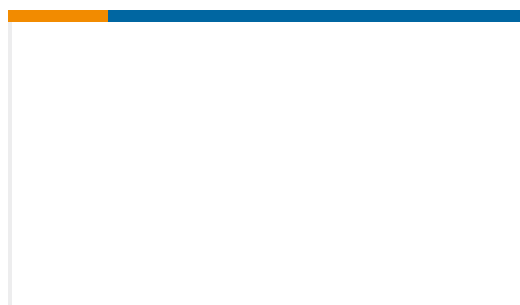
TE Part #2-520181-2  
ULTRA-FAST 187 ASY REC 22-18 AWG TPBR



TE Part #179322-3  
HYBRID MINI DRAWER TAB CONT.#2



TE Part #3-2299280-2  
POD-LOK 250 FLAG AWG 16-14 PTPBR GF



TE Part #1478380-1  
SEALED DOUBLE BREAK MICROSWITCH

## Documents

### Product Drawings

[ULTRA-FAST .110/.125 ASY REC 22-18 TPBR](#)

English

### CAD Files

[3D PDF](#)

[3D](#)

### Customer View Model

[ENG\\_CVM\\_CVM\\_2-520083-2\\_V.2d\\_dxf.zip](#)



English

**Customer View Model**

[ENG\\_CVM\\_CVM\\_2-520083-2\\_V.3d\\_igs.zip](#)

English

**Customer View Model**

[ENG\\_CVM\\_CVM\\_2-520083-2\\_V.3d\\_stp.zip](#)

English

By downloading the CAD file I accept and agree to the [Terms and Conditions](#) of use.

---

**Datasheets & Catalog Pages**

**Ultra-Fast and Ultra Fast Plus**

English

---

**Product Specifications**

**Application Specification**

English

**Application Specification**

English

---

**Product Environmental Compliance**

**MD\_2-520083-2\_032620181242\_dmtec**

English

**MD\_2-520083-2\_032620181242\_dmtec**

English

---

**Agency Approvals**

**UL**

English