



LUMAWISE

TE Internal #: 2058302-2

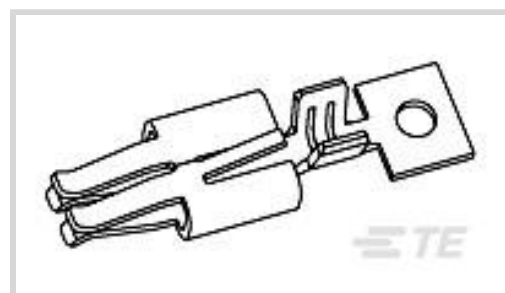
Connector Contact, Socket, Wire-to-Board, 1 Position, 22 – 18

AWG Wire Size, Tin, Loose Piece, Wire & Cable, 5 A, Power, Cable

Mount (Free-Hanging)

[View on TE.com >](#)

Connectors > PCB Connectors > Wire-to-Board Connectors > Wire-to-Board Connector Contacts

Contact Type: **Socket**Connector System: **Wire-to-Board**Number of Positions: **1**Wire Size: **22 – 18 AWG**Contact Mating Area Plating Material: **Tin****Features****Product Type Features**

Connector System	Wire-to-Board
Sealable	No
Connector & Contact Terminates To	Wire & Cable

Configuration Features

Compatible With Wire & Cable Type	Discrete Wire
Number of Positions	1

Contact Features

Mating Tab Width	3 mm[.118 in]
Mating Tab Thickness	.4 mm[.016 in]
Contact Mating Area Plating Material Finish	Matte
Contact Length	11.9 mm[.468 in]
Contact Type	Socket
Contact Mating Area Plating Material	Tin
Contact Current Rating (Max)	5 A

Termination Features

Termination Method to Wire & Cable	Crimp
------------------------------------	-------

Mechanical Attachment

Connector Mounting Type	Cable Mount (Free-Hanging)
-------------------------	----------------------------



Dimensions

Wire Size	22 – 18 AWG
-----------	-------------

Usage Conditions

Operating Temperature Range	-40 – 105 °C
-----------------------------	--------------

Operation/Application

Circuit Application	Power
---------------------	-------

Industry Standards

Glow Wire Rating	Standard Part - Not Glow Wire
------------------	-------------------------------

Packaging Features

Packaging Method	Loose Piece
------------------	-------------

Product Compliance

[For compliance documentation, visit the product page on TE.com>](#)

EU RoHS Directive 2011/65/EU	Compliant
EU ELV Directive 2000/53/EC	Compliant
China RoHS 2 Directive MIIT Order No 32, 2016	No Restricted Materials Above Threshold
EU REACH Regulation (EC) No. 1907/2006	Current ECHA Candidate List: JUNE 2022 (224) Candidate List Declared Against: JAN 2022 (223) SVHC > Threshold: Not Yet Reviewed
Halogen Content	Low Halogen - Br, Cl, F, I < 900 ppm per homogenous material. Also BFR/CFR/PVC Free
Solder Process Capability	Reflow solder capable to 260°C

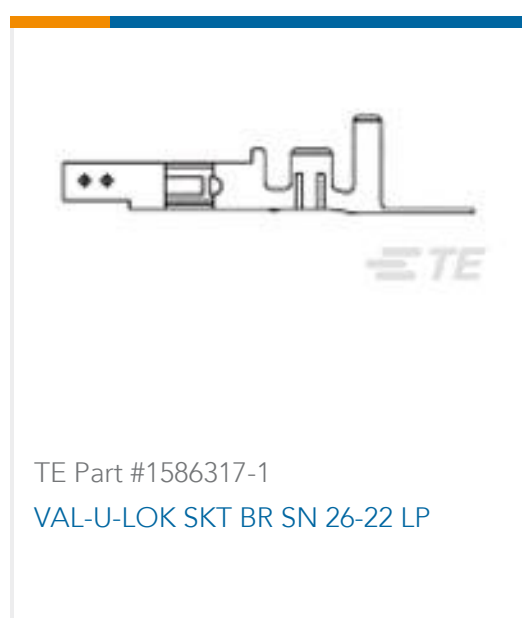
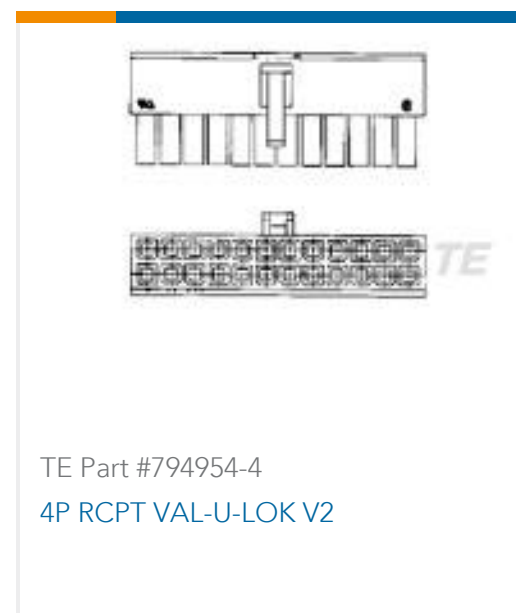
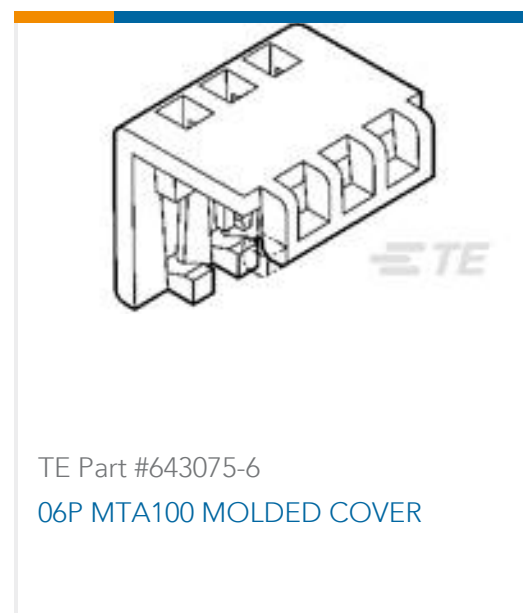
Product Compliance Disclaimer

This information is provided based on reasonable inquiry of our suppliers and represents our current actual knowledge based on the information they provided. This information is subject to change. The part numbers that TE has identified as EU RoHS compliant have a maximum concentration of 0.1% by weight in homogenous materials for lead, hexavalent chromium, mercury, PBB, PBDE, DBP, BBP, DEHP, DIBP, and 0.01% for cadmium, or qualify for an exemption to these limits as defined in the Annexes of Directive 2011/65/EU (RoHS2). Finished electrical and electronic equipment products will be CE marked as required by Directive 2011/65/EU. Components may not be CE marked. Additionally, the part numbers that TE has identified as EU ELV compliant have a maximum concentration of 0.1% by weight in homogenous materials for lead, hexavalent chromium, and mercury, and 0.01% for cadmium, or qualify for an exemption to these limits as defined in the Annexes of Directive 2000/53/EC (ELV). Regarding the REACH Regulation, the information TE provides on SVHC in articles for this part number is based on the latest European Chemicals Agency (ECHA) 'Guidance on requirements for substances in articles' posted at this URL: <https://echa.europa.eu/guidance-documents/guidance-on-reach>

Compatible Parts



Customers Also Bought



Documents

Product Drawings

Socket Contact, Loose Piece

English

Datasheets & Catalog Pages

HERMAPHRODITIC_WIRE-TO-BOARD_AND_BOARD-TO-BOARD

HERMAPHRODITIC_WIRE-TO-BOARD_AND_BOARD-TO-BOARD



English

[Product Specifications](#)

[Application Specification](#)

English