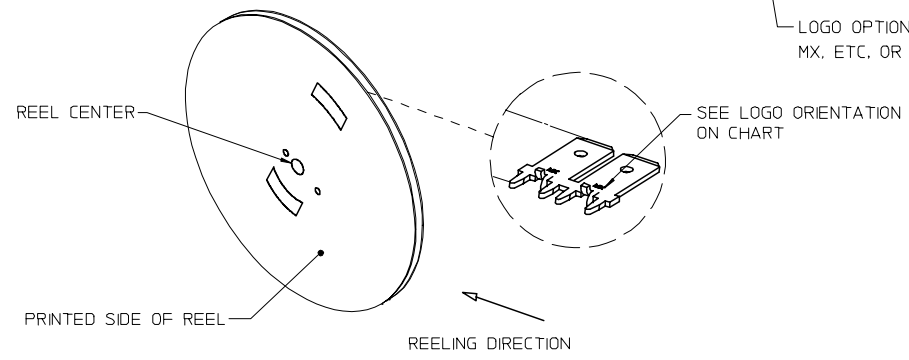
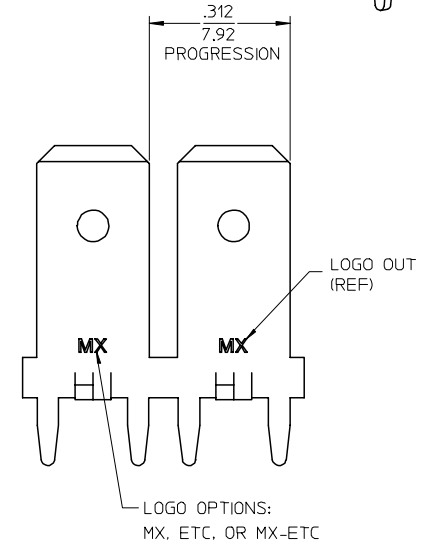
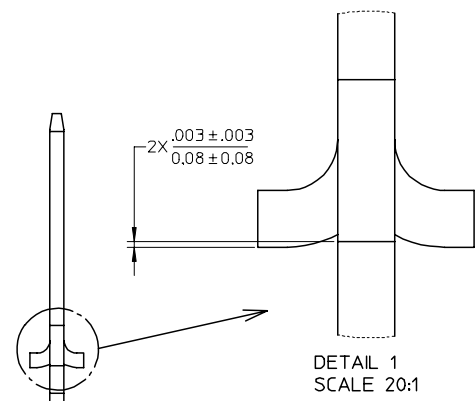
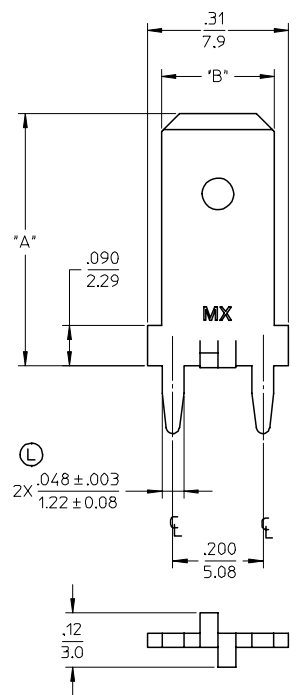
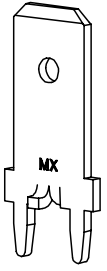
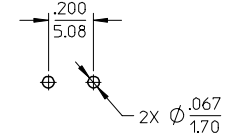


MATERIAL NUMBER	ENGINEERING NUMBER	CARRIER	LOGO ORIENTATION	DIMENSION 'A'	DIMENSION 'B'	MIN. PARTS PER REEL
197054003	19705-4003	STRIP	IN	.560/14.22	.250/6.35	5,000
197054103	19705-4103	STRIP	IN	.560/14.22	.187/4.75	
197054105	19705-4105	STRIP	OUT	.560/14.22	.187/4.75	
197054203	19705-4203	STRIP	IN	.405/10.29	.250/6.35	10,000
197054204	19705-4204	STRIP	OUT	.405/10.29	.250/6.35	
197054001	19705-4001	LOOSE	-	.560/14.22	.250/6.35	-
197054101	19705-4101	LOOSE	-	.560/14.22	.187/4.75	-
197054201	19705-4201	LOOSE	-	.405/10.29	.250/6.35	-

RECOMMENDED PCB HOLE LAYOUT



- NOTES:
1. BARE EDGES PERMISSIBLE AT CARRIER CUT OFF.
 2. MATERIAL: BRASS C26000 (.032/0.81) THICK.
 3. TAB CONFORMS TO NEMA SPECIFICATIONS.
 4. ALL DIMENSIONS AND NOTES REFERENCE UNLESS OTHERWISE NOTED.
 5. PLATING: MATTE TIN OVER NICKEL 150µ IN/3.81 µ mm MINIMUM THICKNESS OVER NICKEL 50µ IN/1.25µ mm MINIMUM THICKNESS.
 6. 24" DIAMETER REEL WITH A 1.25" DIAMETER CENTER HOLE.
 7. PART IS RoHS COMPLIANT

TOLERANCE REDUCED EC NO: ETC2007-0434 DRAWN/HELD: 2007/05/25 CHKD: JMACNEIL 2007/06/04 APPR: JMACNEIL 2007/06/05	QUALITY SYMBOLS ▽=0 ▽=0	GENERAL TOLERANCES (UNLESS SPECIFIED)		DIMENSION STYLE		SCALE	DESIGN UNITS	THIRD ANGLE PROJECTION
		mm	INCH	IN/MM	DATE	5:1	INCH	☉
		4 PLACES	± --- ± ---	DRAWN BY	EDB	DATE	11/08/96	QUICK DISCONNECT PCB MOUNTABLE .250 & .187 X .032 TAB
		3 PLACES	± --- ± .005	CHECKED BY	JH	DATE	11/08/96	
		2 PLACES	± 0.13 ± .01	APPROVED BY	RWD	DATE	11/08/96	MOLEX INCORPORATED
		1 PLACE	± 0.25 ± ---	MATERIAL NO.		DOCUMENT NO.	SD-19705-400	
		ANGULAR ±1/2°		SEE CHART				SHEET NO. 1 OF 1
		DRAFT WHERE APPLICABLE MUST REMAIN WITHIN DIMENSIONS		THIS DRAWING CONTAINS INFORMATION THAT IS PROPRIETARY TO MOLEX INCORPORATED AND SHOULD NOT BE USED WITHOUT WRITTEN PERMISSION				