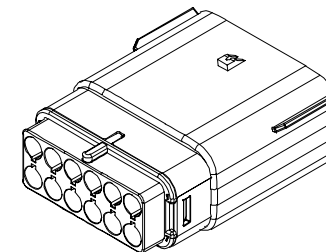
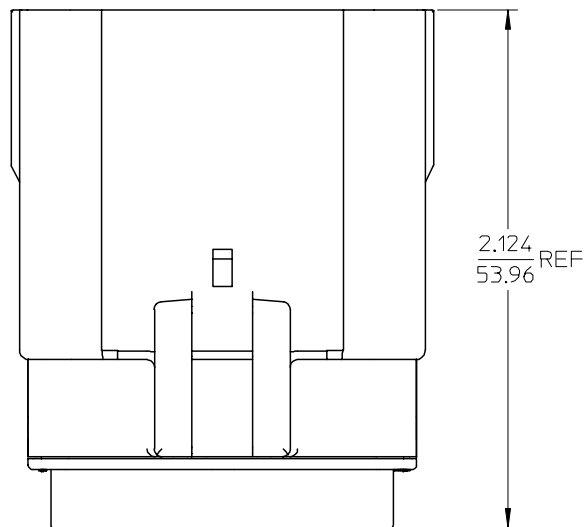
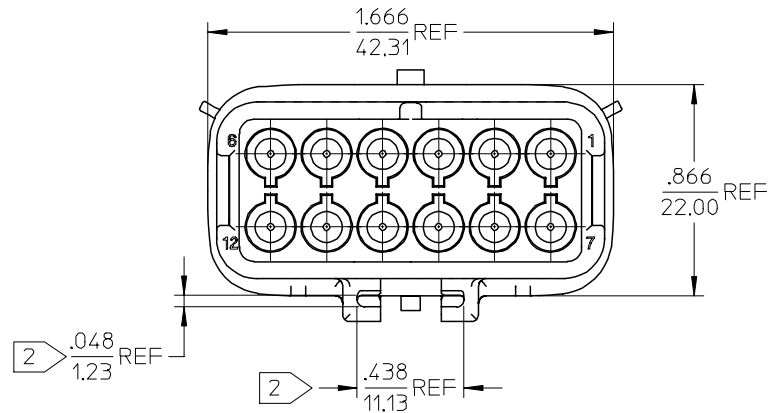
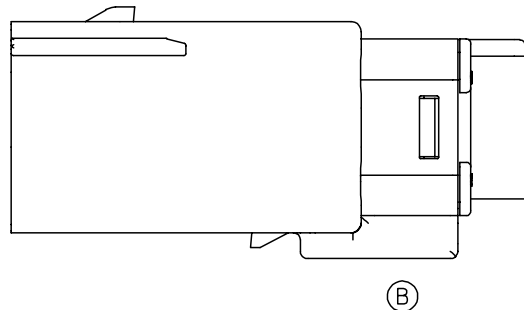
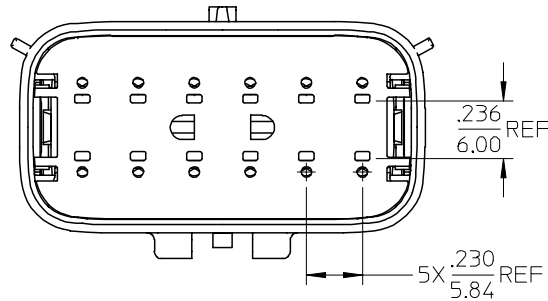


10 9 8 7 6 5 4 3 2 19419



ASSEMBLED VIEW
SCALE 1:1

194190018	12	16-14
194190017	12	22-18
MATERIAL NUMBER	CIRCUIT SIZE	UL WIRE AWG

NOTES:

- ASSEMBLY PACKAGED PER PK-19419-001.
- MOUNTING SLOT DIMENSIONS.
- USE CONNECTOR WITH MALE CRIMP TERMINAL: SERIES 19417.

EC NO: ETC2004-0202 DRWN: DMYRICK 2004/06/03 CHKD: JPAWLICK 2004/06/03 APPR: JPAWLICK 2004/06/03	QUALITY SYMBOLS	GENERAL TOLERANCES (UNLESS SPECIFIED)		SCALE 2:1	DESIGN UNITS INCH	THIRD ANGLE PROJECTION	REVISE ON CAD ONLY	
	DESCRIPTION ▼ = 0 ▽ = 0	4 PLACES	mm	INCH	DIMENSION STYLE IN/MM		TITLE 12 WAY PLUG ASSEMBLY	
		3 PLACES	± ---	± ---	DRAWN BY DMYRICK	DATE 03/11/20	MATERIAL NO. SEE CHART	
		2 PLACES	± 0.38	± ---	CHECKED BY JPAWLICK	DATE 03/11/20	DOCUMENT NO. SD-19419-006	SHEET NO. 1 OF 1
	1 PLACE	± ---	± ---	APPROVED BY RDEROSS	DATE 03/11/20	MUST REMAIN WITHIN DIMENSIONS		
		ANGULAR ± 1 °		THIS DRAWING CONTAINS INFORMATION THAT IS PROPRIETARY TO MOLEX INCORPORATED AND SHOULD NOT BE USED WITHOUT WRITTEN PERMISSION				

8 7 6 5 4 3 2 1