



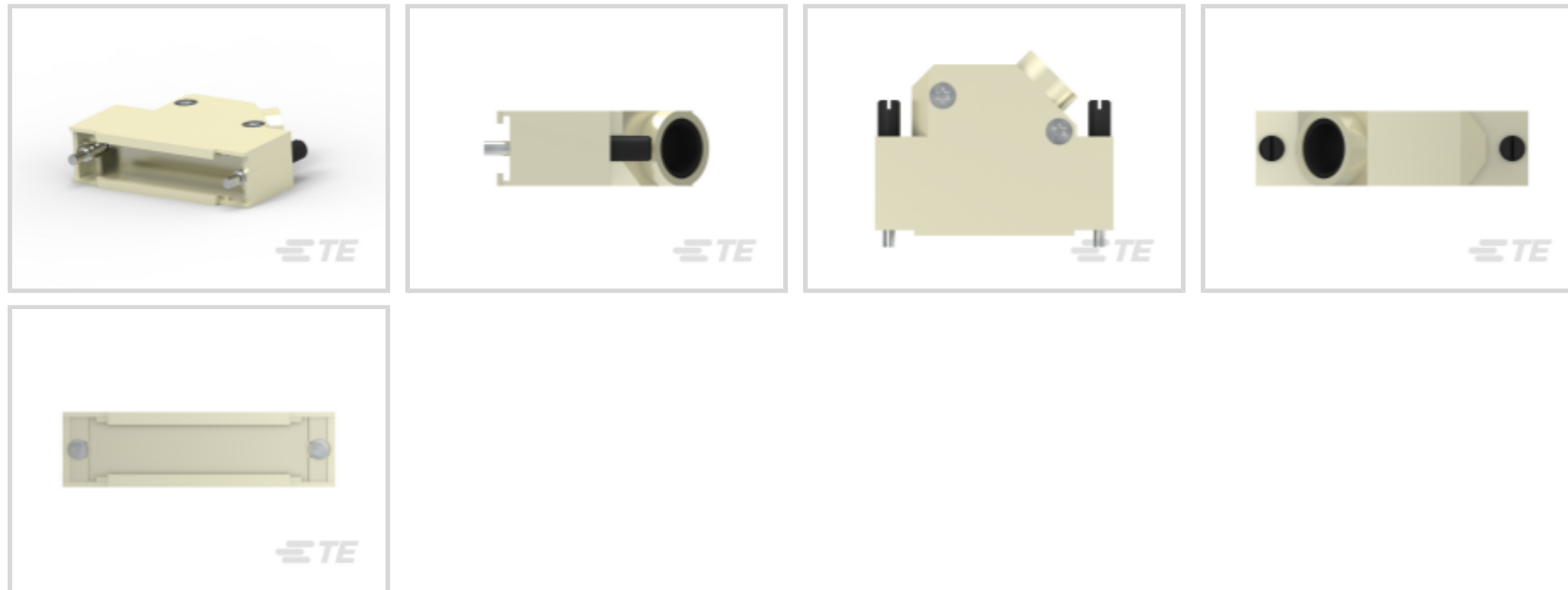
AMPLIMITE

TE Internal #: 2-1478763-5

D-Sub Backshells & Clamps, Backshell, Two-Piece RFI/EMI Shield, 25 Position, Size 3, Shielded, Cable Exit Angle 45°

[View on TE.com >](#)

Connectors > D-Shaped Connectors > D-Sub Accessories > D-Sub Backshells & Clamps



D-Shaped Connector Accessories: **Backshell**

Cable Clamp Type: **Two-Piece RFI/EMI Shield**

Number of Positions: **25**

Compatible With Connector Shell Size: **3**

Shielded: **Yes**

Features

Product Type Features

Grommets	With
Slide Latch	Without
D-Shaped Connector Accessories	Backshell

Configuration Features

Number of Positions	25
---------------------	----

Body Features

Shield Plating Material	Nickel
Cable Clamp Material	Die Cast
Grommets per Set	4
Backshell Material	Zinc
Cable Clamp Type	Two-Piece RFI/EMI Shield
Cable Exit Angle	45°

Mechanical Attachment

Screw & Hole Thread Size	4-40
--------------------------	------



Dimensions

Cable Insulation Diameter Range	4 – 13 mm [.197 – .355 in]
---------------------------------	----------------------------

Operation/Application

Compatible With Connector Shell Size	3
Shielded	Yes

Industry Standards

Cover Flammability Rating	UL 94V-2
---------------------------	----------

Packaging Features

Packaging Quantity	100
Packaging Method	Bag

Other

Comment	Kit includes backshells, jackscrews and cable grommets.
---------	---

Product Compliance

[For compliance documentation, visit the product page on TE.com>](#)

EU RoHS Directive 2011/65/EU	Compliant
EU ELV Directive 2000/53/EC	Compliant
China RoHS 2 Directive MIIT Order No 32, 2016	No Restricted Materials Above Threshold
EU REACH Regulation (EC) No. 1907/2006	Current ECHA Candidate List: JUNE 2022 (224) Candidate List Declared Against: JAN 2022 (223) SVHC > Threshold: Not Yet Reviewed
Halogen Content	Low Halogen - Br, Cl, F, I < 900 ppm per homogenous material. Also BFR/CFR/PVC Free
Solder Process Capability	Not applicable for solder process capability

Product Compliance Disclaimer

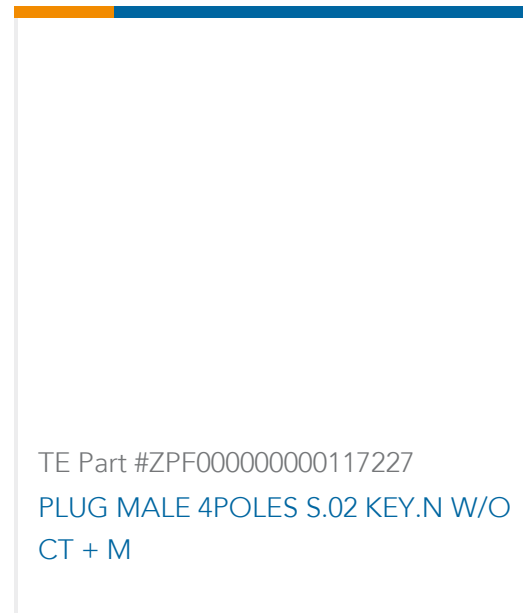
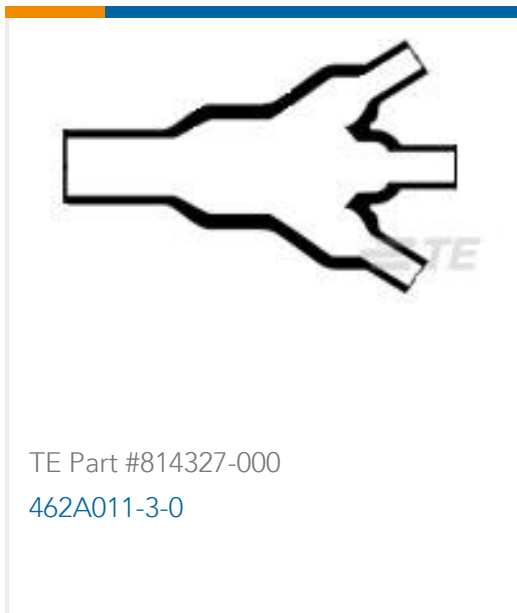
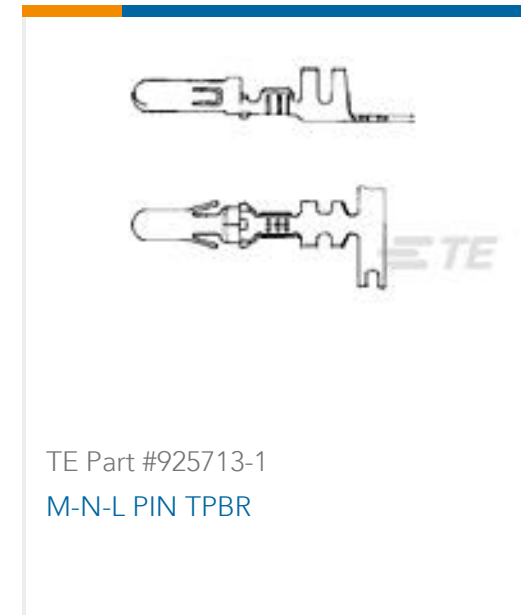
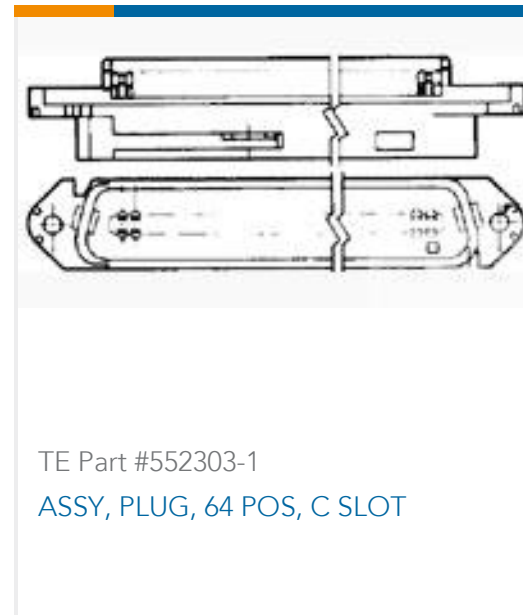
This information is provided based on reasonable inquiry of our suppliers and represents our current actual knowledge based on the information they provided. This information is subject to change. The part numbers that TE has identified as EU RoHS compliant have a maximum concentration of 0.1% by weight in homogenous materials for lead, hexavalent chromium, mercury, PBB, PBDE, DBP, BBP, DEHP, DIBP, and 0.01% for cadmium, or qualify for an exemption to these limits as defined in the Annexes of Directive 2011/65/EU (RoHS2). Finished electrical and electronic equipment products will be CE marked as required by Directive 2011/65/EU. Components may not be CE marked. Additionally, the part numbers that TE has identified as EU ELV compliant have a maximum concentration of 0.1% by weight in homogenous materials for lead, hexavalent chromium, and mercury, and 0.01% for cadmium, or qualify for an exemption to these limits as defined in the Annexes of Directive 2000/53/EC (ELV). Regarding the REACH Regulation, the information TE provides

on SVHC in articles for this part number is based on the latest European Chemicals Agency (ECHA) 'Guidance on requirements for substances in articles' posted at this URL: <https://echa.europa.eu/guidance-documents/guidance-on-reach>

Compatible Parts



Customers Also Bought



Documents

Product Drawings

METAL BACKSHELL 25 WAY 45 DE

English



METAL BACKSHELL 25 WAY 45 DE

English

CAD Files

Customer View Model

[ENG_CVM_CVM_2-1478763-5_G.2d_dxf.zip](#)

English

3D PDF

3D

Customer View Model

[ENG_CVM_CVM_2-1478763-5_G.3d_igs.zip](#)

English

Customer View Model

[ENG_CVM_CVM_2-1478763-5_G.3d_stp.zip](#)

English

By downloading the CAD file I accept and agree to the [Terms and Conditions](#) of use.

Product Environmental Compliance

[TE Material Declaration](#)

English