

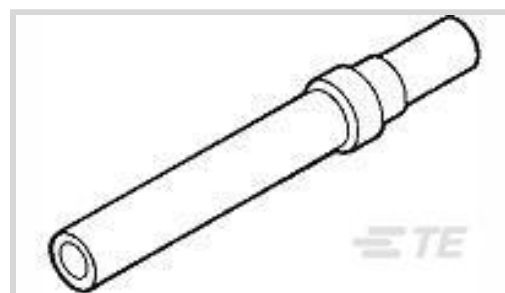
**AMPLIMITE**

TE Internal #: 205090-2

D-Sub Connector Contacts, Socket, Size 20, Copper Alloy, Gold,
Crimp, 24 – 20 AWG Wire Size, .2 – .6 mm² Wire Size, Wire & Cable,
7.5 A, Signal

[View on TE.com >](#)

Connectors > D-Shaped Connectors > D-Sub Connector Contacts

Contact Type: **Socket**D-Sub Contact Size: **20**Contact Base Material: **Copper Alloy**Contact Mating Area Plating Material: **Gold**Termination Method to Wire & Cable: **Crimp****Features****Product Type Features**

Product Type	Contact
Connector & Contact Terminates To	Wire & Cable

Body Features

Color Code	Yes
------------	-----

Contact Features

	50 µin
Contact Style	Standard
Contact Color Bands	Orange, Blue, Gray
Contact Underplating Material	Nickel
PCB Contact Termination Area Plating Material	Gold
Contact Type	Socket
D-Sub Contact Size	20
Contact Base Material	Copper Alloy
Contact Mating Area Plating Material	Gold
Contact Current Rating (Max)	7.5 A

Termination Features

Termination Post Length	.35 mm
Termination Method to Wire & Cable	Crimp



Dimensions

Insulation Diameter (Max)	.07 mm[1.83 in]
Post Diameter	.04 mm
Accepts Wire Insulation Diameter Range	.07 mm
Wire Size	.2 – .6 mm ²

Usage Conditions

Operating Temperature Range	-55 – 125 °C[-67 – 257 °F]
-----------------------------	----------------------------

Operation/Application

High Current	No
Circuit Application	Signal

Packaging Features

Packaging Quantity	5000
Packaging Method	Tape

Product Compliance

[For compliance documentation, visit the product page on TE.com>](#)

EU RoHS Directive 2011/65/EU	Compliant with Exemptions
EU ELV Directive 2000/53/EC	Compliant with Exemptions
China RoHS 2 Directive MIIT Order No 32, 2016	Restricted Materials Above Threshold
EU REACH Regulation (EC) No. 1907/2006	Current ECHA Candidate List: JUNE 2022 (224) Candidate List Declared Against: JAN 2022 (223) SVHC > Threshold: Pb (1.2% in Component Part) Article Safe Usage Statements: Do not eat, drink or smoke when using this product. Wash thoroughly after handling. Recycle if possible and dispose of the article by following all applicable governmental regulations relevant to your geographic location.
Halogen Content	Low Halogen - Br, Cl, F, I < 900 ppm per homogenous material. Also BFR/CFR/PVC Free
Solder Process Capability	Not applicable for solder process capability

Product Compliance Disclaimer

This information is provided based on reasonable inquiry of our suppliers and represents our current actual knowledge based on the information they provided. This information is subject to change. The part numbers that TE has identified as EU RoHS compliant have a maximum concentration of 0.1% by weight in homogenous materials for lead, hexavalent chromium, mercury, PBB, PBDE, DBP, BBP, DEHP, DIBP, and 0.01% for cadmium, or qualify for an exemption to these limits as defined in the Annexes of Directive 2011/65/EU (RoHS2). Finished electrical and electronic equipment products will be CE marked as required by Directive 2011/65/EU. Components may not be CE marked. Additionally, the part

numbers that TE has identified as EU ELV compliant have a maximum concentration of 0.1% by weight in homogenous materials for lead, hexavalent chromium, and mercury, and 0.01% for cadmium, or qualify for an exemption to these limits as defined in the Annexes of Directive 2000/53/EC (ELV). Regarding the REACH Regulation, the information TE provides on SVHC in articles for this part number is based on the latest European Chemicals Agency (ECHA) 'Guidance on requirements for substances in articles' posted at this URL: <https://echa.europa.eu/guidance-documents/guidance-on-reach>

Compatible Parts



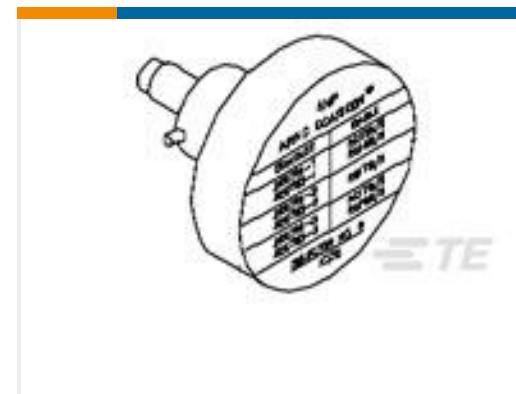
TE Part # CAT-AM71-C83998M
CPC SERIES 2



TE Part # CAT-AM71-C83998BB
CPC SERIES 3



TE Part # 601966-1
CRIMPING TOOL M22520/2-01



TE Part # 601966-2
POSITIONIER-M22520/2-02

Customers Also Bought



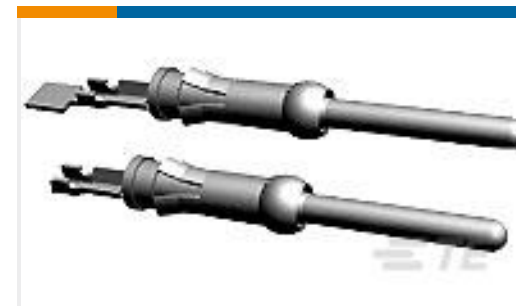
TE Part #8-36154-1
PIDG R 22-16 COMM 22-18 MIL 10



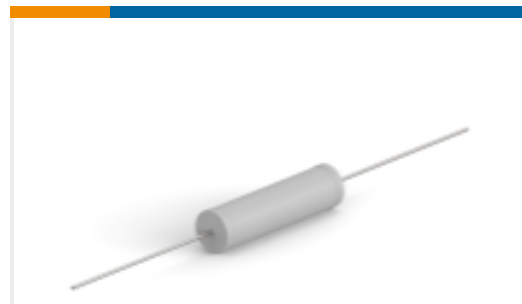
TE Part #1-534206-0
20 MODII VRT DR CE 100/115



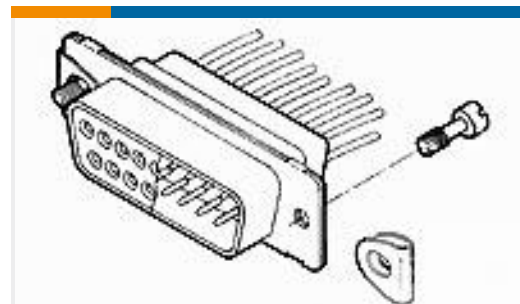
TE Part #5520426-4
MJ,R/A,8P



TE Part #66400-2
III+ PIN,24-20,30AU>10,LP



TE Part #2-2176414-3
7W STD M/OX 5% 160R



TE Part #748274-2
SCREW RETAINER CLIP,AMPLIMITE



TE Part #5748826-2
AMP III PLUG 25P RA 590



TE Part #YDTS20F13-98SNV001
RECP ASSY



TE Part #1437537-5
808-AG10D=SOCKET ASSY



TE Part #CG3313-000
CI-TM3050

Documents

[Product Drawings](#)



SKT CONT ASSY,SZ 20,AMPLIMITE

English

CAD Files

3D PDF

3D

Customer View Model

[ENG_CVM_CVM_205090-2_BB.2d_dxf.zip](#)

English

Customer View Model

[ENG_CVM_CVM_205090-2_BB.3d_igs.zip](#)

English

Customer View Model

[ENG_CVM_CVM_205090-2_BB.3d_stp.zip](#)

English

By downloading the CAD file I accept and agree to the [Terms and Conditions](#) of use.

Datasheets & Catalog Pages

[1308940_Sec8_amplimite](#)

English

[AMP Circular Connectors for Commercial Signal & Power Applications](#)

English

Product Specifications

[Application Specification](#)

English

[AMPLIMITE 109 Pin And Socket Contacts Used With Astro Hand Tool](#)

English

Product Environmental Compliance

[Product Compliance](#)

English

[Product Compliance](#)

English

Instruction Sheets

[Instruction Sheet \(U.S.\)](#)

English