

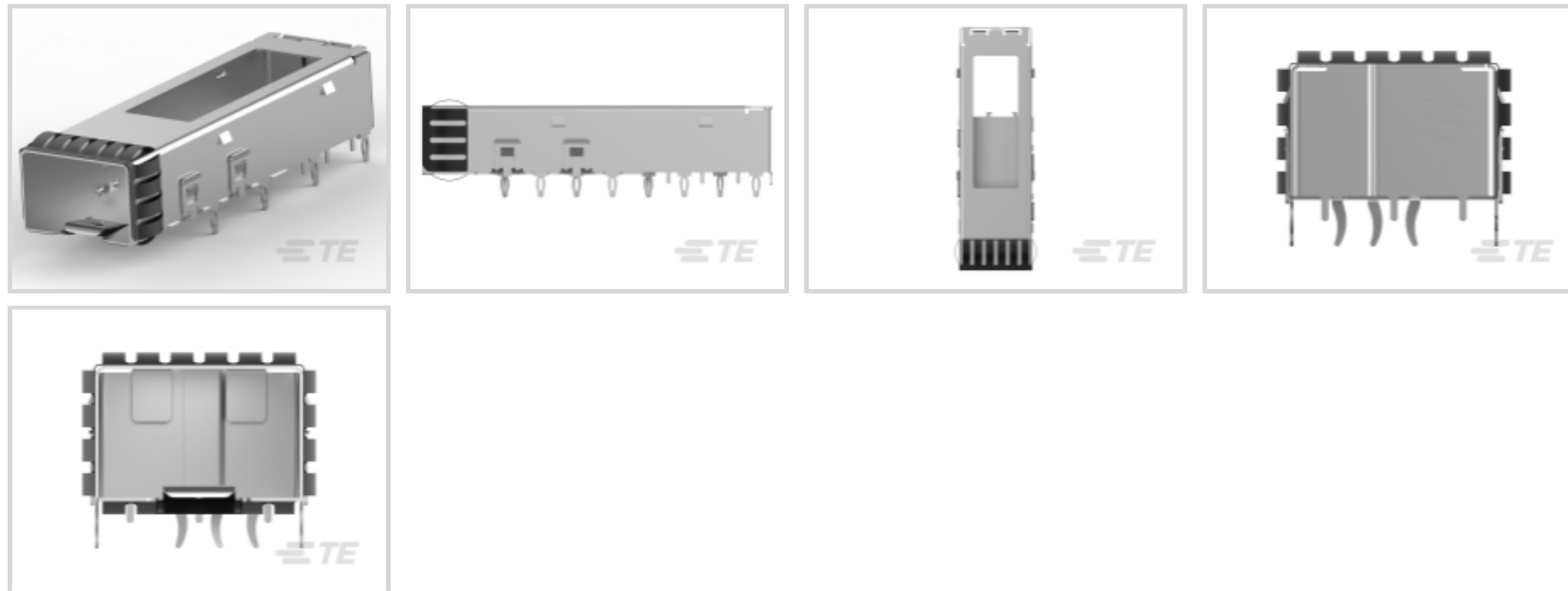


TE Internal #: 2007198-2

SFP, SFP+ & zSFP+, Cage, Data Rate (Max) 16 Gb/s, External Springs, SFP+, 1 x 1, Through Hole - Press-Fit Mount, 1 Port, Cable-to-Board

[View on TE.com >](#)

Connectors > Pluggable IO Connectors & Cages > SFP, SFP+ & zSFP+



Pluggable I/O Product Type: **Cage**

Data Rate (Max): **16 Gb/s**

EMI Containment Feature Type: **External Springs**

Pluggable I/O Applications: **SFP+**

Included Lightpipe: **No**

## Features

### Product Type Features

Form Factor	SFP+
Cage Type	Single
Pluggable I/O Product Type	Cage
Connector System	Cable-to-Board
Sealable	No
Connector & Contact Terminates To	Printed Circuit Board

### Configuration Features

Port Matrix Configuration	1 x 1
Number of Ports	1

### Electrical Characteristics

Data Rate (Max)	16 Gb/s
-----------------	---------

### Termination Features

Termination Method to Printed Circuit Board	Through Hole - Press-Fit
---	--------------------------

### Mechanical Attachment



PCB Mounting Style	Through Hole - Press-Fit
--------------------	--------------------------

Connector Mounting Type	Board Mount
-------------------------	-------------

### Housing Features

Cage Material	Nickel Silver
---------------	---------------

### Dimensions

Tail Length	2.05 mm[.081 in]
-------------	------------------

PCB Thickness (Recommended)	2.25 mm[.089 in]
-----------------------------	------------------

### Usage Conditions

Operating Temperature Range	-55 – 105 °C[-67 – 221 °F]
-----------------------------	----------------------------

### Operation/Application

Heat Sink Compatible	Yes
----------------------	-----

For Use With Pluggable I/O Products	SFP+ SMT Connector
-------------------------------------	--------------------

Pluggable I/O Applications	SFP+
----------------------------	------

### Packaging Features

Packaging Method	Box & Tray, Tray
------------------	------------------

### Other

EMI Containment Feature Type	External Springs
------------------------------	------------------

Included Lightpipe	No
--------------------	----

### Product Compliance

[For compliance documentation, visit the product page on TE.com>](#)

EU RoHS Directive 2011/65/EU	Compliant
------------------------------	-----------

EU ELV Directive 2000/53/EC	Compliant
-----------------------------	-----------

China RoHS 2 Directive MIIT Order No 32, 2016	No Restricted Materials Above Threshold
---	---

EU REACH Regulation (EC) No. 1907/2006	Current ECHA Candidate List: JUNE 2022 (224) Candidate List Declared Against: JUNE 2022 (224) Does not contain REACH SVHC
--	---

Halogen Content	Low Halogen - Br, Cl, F, I < 900 ppm per homogenous material. Also BFR/CFR/PVC Free
-----------------	---

Solder Process Capability	Reflow solder capable to 260°C
---------------------------	--------------------------------

Product Compliance Disclaimer



This information is provided based on reasonable inquiry of our suppliers and represents our current actual knowledge based on the information they provided. This information is subject to change. The part numbers that TE has identified as EU RoHS compliant have a maximum concentration of 0.1% by weight in homogenous materials for lead, hexavalent chromium, mercury, PBB, PBDE, DBP, BBP, DEHP, DIBP, and 0.01% for cadmium, or qualify for an exemption to these limits as defined in the Annexes of Directive 2011/65/EU (RoHS2). Finished electrical and electronic equipment products will be CE marked as required by Directive 2011/65/EU. Components may not be CE marked. Additionally, the part numbers that TE has identified as EU ELV compliant have a maximum concentration of 0.1% by weight in homogenous materials for lead, hexavalent chromium, and mercury, and 0.01% for cadmium, or qualify for an exemption to these limits as defined in the Annexes of Directive 2000/53/EC (ELV). Regarding the REACH Regulation, the information TE provides on SVHC in articles for this part number is based on the latest European Chemicals Agency (ECHA) 'Guidance on requirements for substances in articles' posted at this URL: <https://echa.europa.eu/guidance-documents/guidance-on-reach>

## Compatible Parts



TE Part # CAT-C11-H50626  
SFP+ to SFP+ I/O Cable Assembly: 30 AWG



TE Part # CAT-C11-N490333  
QSFP28-Four SFP+ Cable Assembly: 30 AWG



TE Part # CAT-C11-N490325  
QSFP28-Four SFP+ Cable Assembly: 26 AWG



TE Part # 2334985-2  
SFP28 DIRECT ATTACH CA, 1M, 32AWG



TE Part # CAT-C11-N4901114  
SFP28 to SFP28 Cable Assembly: 30 AWG



TE Part # CAT-C11-N49011  
SFP28 to SFP28 Cable Assembly: 26 AWG



TE Part # CAT-Q17-N49011  
QSFP56-Four SFP56 Cable Assembly: 30 AWG



TE Part # CAT-Q17-N490333  
QSFP56-Four SFP56 Cable Assembly: 26 AWG



TE Part # 4-2821222-5  
SFP56 DIRECT ATTACH CA, 2M, 30AWG



TE Part # 4-2821224-5  
SFP56 DIRECT ATTACH CA, 3M, 26AWG



TE Part # 4-2334985-2  
SFP56 DIRECT ATTACH CA, 1M, 32AWG



TE Part # CAT-C11-H5  
SFP+ to SFP+ I/O Cable Assembly: 24 AWG



TE Part # CAT-C11-H506  
SFP+ to SFP+ I/O Cable Assembly: 26 AWG



TE Part # CAT-C11-H5062  
SFP+ to SFP+ I/O Cable Assembly: 28 AWG



TE Part # 2057500-1  
Light Pipe, Ganged SFP+



TE Part # 2142970-1  
CABLE ASSY, MICRO SFP+ TO STD SFP+, 0.5M



TE Part # 2142970-2  
CABLE ASSY, MICRO SFP+ TO STD  
SFP+, 1M



TE Part # 2142970-3  
CABLE ASSY, MICRO SFP+ TO STD  
SFP+, 2M



TE Part # 2142970-4  
CABLE ASSY, MICRO SFP+ TO STD  
SFP+, 3M



TE Part # 2142970-5  
CABLE ASSY, MICRO SFP+ TO STD  
SFP+, 4M

## Customers Also Bought



TE Part #5745925-2  
25 RCPT ACT PIN/MS MED INSRT



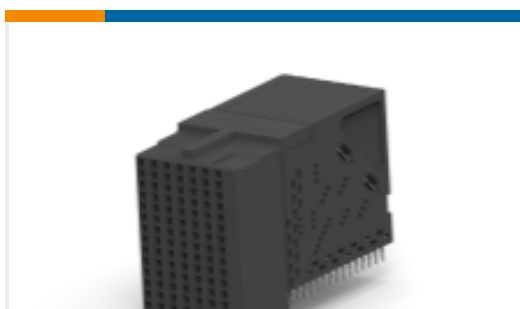
TE Part #2149730-1  
SFP+ 1x4 Cage, Heatsinks and  
Lightpipes



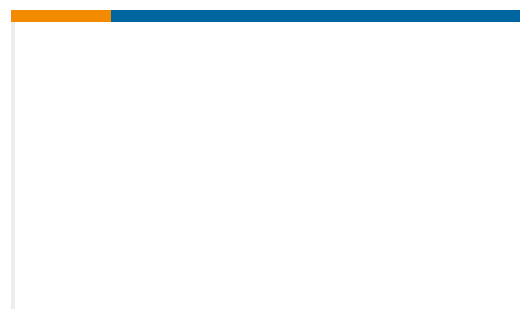
TE Part #5223961-1  
TE UPM R/A Header 3P STD Power,  
LLL



TE Part #6274291-1  
JACK,PCB,COML BNC, 75OHM



TE Part #2201945-1  
RECEPTACLE ASSEMBLY, 5 PAIR, 8  
COLUMN



TE Part #1395786-1  
16F7027 POWER SUPPLY, SWITCHI



TE Part #5646347-9  
2MM HM,ASY,T-E,HDR,08R,200,AP

## Documents

### Product Drawings

SFP+ 1x1 Cage Assembly, Press-Fit

English

### CAD Files

Customer View Model

[ENG\\_CVM\\_CVM\\_2007198-2\\_B.2d\\_dxf.zip](#)

English

3D PDF

3D

Customer View Model

[ENG\\_CVM\\_CVM\\_2007198-2\\_B.3d\\_igs.zip](#)

English

Customer View Model

[ENG\\_CVM\\_CVM\\_2007198-2\\_B.3d\\_stp.zip](#)

English

By downloading the CAD file I accept and agree to the [Terms and Conditions](#) of use.



**Product Specifications**

**Application Specification**

English

---

**Product Environmental Compliance**

**MD\_2007198-2\_052220181410\_dmtec**

English

**MD\_2007198-2\_052220181410\_dmtec**

English