



Connectors > Circular Connectors > Circular Connector Accessories > Circular Connector Caps & Covers



Protection & Strain Relief Accessory Type: **Sealing Cap**

Compatible With Circular Connector Shell Size: **17**

Cap to Flange Attachment: **Plastic Strap**

Operating Temperature Range: **-55 – 105 °C [-67 – 221 °F]**

## Features

### Product Type Features

Product Type	Accessory
Protection & Strain Relief Accessory Type	Sealing Cap

### Body Features

Sealing Cap Material	Thermoplastic
Color	Black
Sealing Cap Flammability Rating	UL 94V-1
Cap Material	Thermoplastic
Sealing Gasket Material	Neoprene
Cable Clamp Color	Black

### Mechanical Attachment

Cap to Flange Attachment	Plastic Strap
--------------------------	---------------

### Usage Conditions

Operating Temperature Range	-55 – 105 °C[-67 – 221 °F]
-----------------------------	----------------------------

### Operation/Application

For Use With	Receptacle
--------------	------------



Compatible With Circular Connector Shell Size 17

### Packaging Features

Packaging Quantity	100
Packaging Method	Box

### Product Compliance

[For compliance documentation, visit the product page on TE.com>](#)

EU RoHS Directive 2011/65/EU	Compliant
EU ELV Directive 2000/53/EC	Compliant
China RoHS 2 Directive MIIT Order No 32, 2016	No Restricted Materials Above Threshold
EU REACH Regulation (EC) No. 1907/2006	Current ECHA Candidate List: JUNE 2022 (224) Candidate List Declared Against: JAN 2022 (223) SVHC > Threshold: Not Yet Reviewed
Halogen Content	Low Halogen - Br, Cl, F, I < 900 ppm per homogenous material. Also BFR/CFR/PVC Free
Solder Process Capability	Not applicable for solder process capability

#### Product Compliance Disclaimer

This information is provided based on reasonable inquiry of our suppliers and represents our current actual knowledge based on the information they provided. This information is subject to change. The part numbers that TE has identified as EU RoHS compliant have a maximum concentration of 0.1% by weight in homogenous materials for lead, hexavalent chromium, mercury, PBB, PBDE, DBP, BBP, DEHP, DIBP, and 0.01% for cadmium, or qualify for an exemption to these limits as defined in the Annexes of Directive 2011/65/EU (RoHS2). Finished electrical and electronic equipment products will be CE marked as required by Directive 2011/65/EU. Components may not be CE marked. Additionally, the part numbers that TE has identified as EU ELV compliant have a maximum concentration of 0.1% by weight in homogenous materials for lead, hexavalent chromium, and mercury, and 0.01% for cadmium, or qualify for an exemption to these limits as defined in the Annexes of Directive 2000/53/EC (ELV). Regarding the REACH Regulation, the information TE provides on SVHC in articles for this part number is based on the latest European Chemicals Agency (ECHA) 'Guidance on requirements for substances in articles' posted at this URL: <https://echa.europa.eu/guidance-documents/guidance-on-reach>

### Compatible Parts



TE Part # CAT-AM71-C83998AA  
CPC SERIES 6 TWO-PIECE



TE Part # CAT-AM71-C83998BB  
CPC SERIES 3



TE Part # CAT-AM71-C83998J  
CPC SERIES 1



TE Part # CAT-AM71-C83998K  
CPC SERIES 6



TE Part # CAT-AM71-C83998M  
CPC SERIES 2



TE Part # CAT-AM71-C83998Y  
CPC SERIES 1 SEALED ONE-PIECE



TE Part # 213889-2  
CPC RECPT SEALED,SIZE 17-3



TE Part # CAT-AM71-C83998X  
CPC SERIES 6 SEALED TWO-PIECE

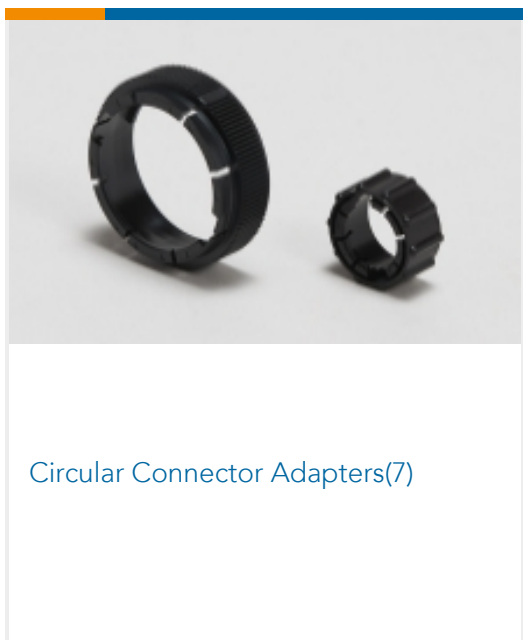


TE Part # 213890-2  
CPC RECPT SEALED SIZE 17-3

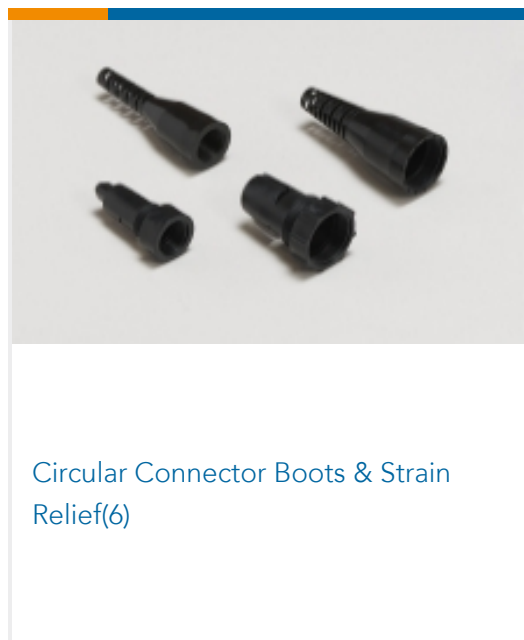


TE Part # 207445-2  
SEALING CAP ASSY,SZ 17,CPC

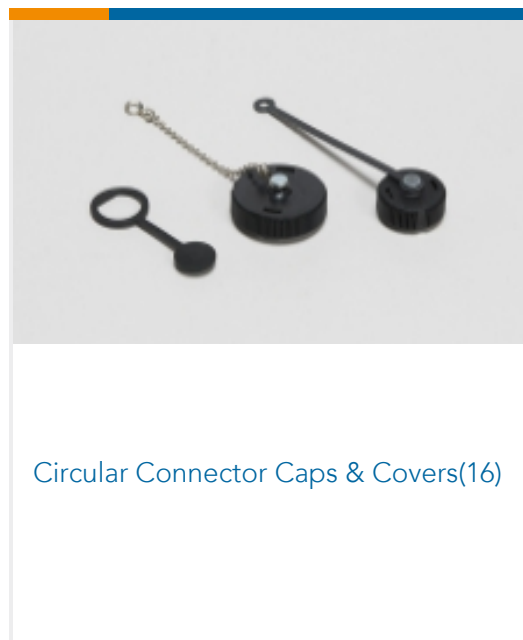
Also in the Series | AMP CPC



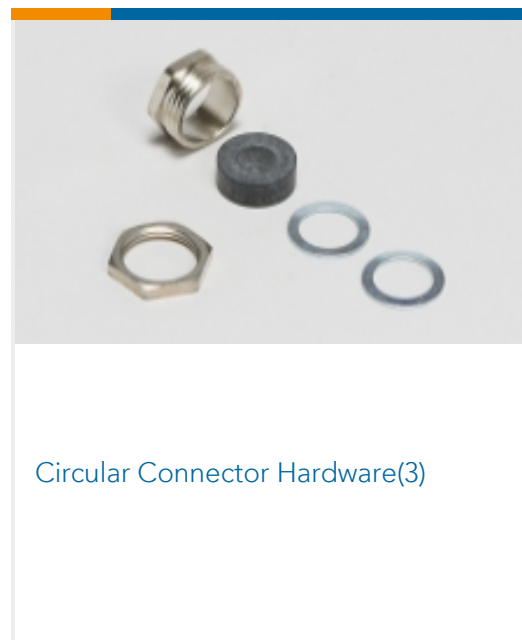
Circular Connector Adapters(7)



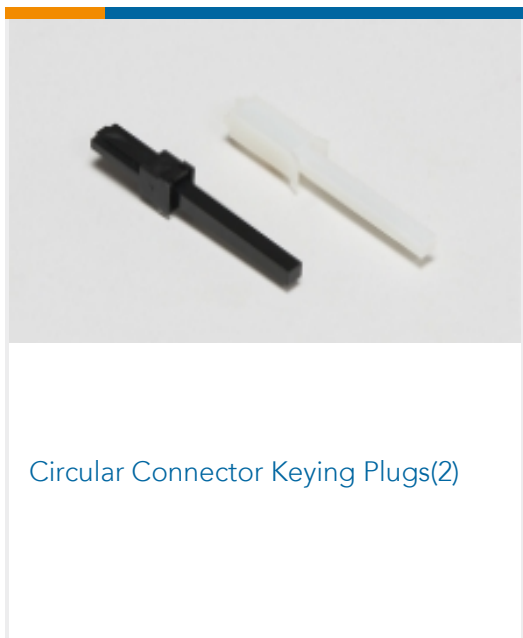
Circular Connector Boots & Strain Relief(6)



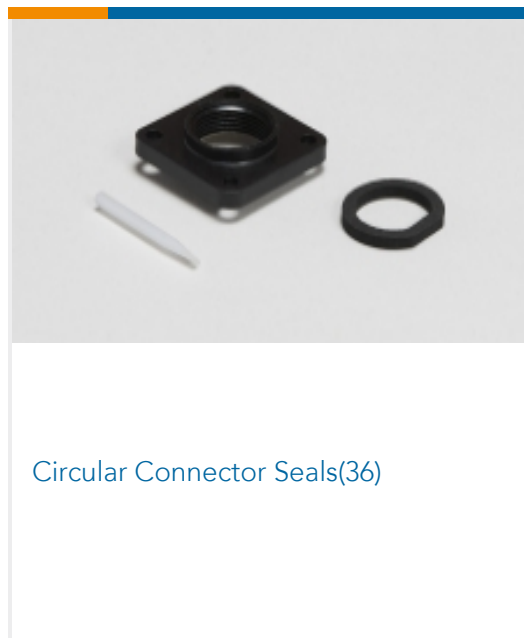
Circular Connector Caps & Covers(16)



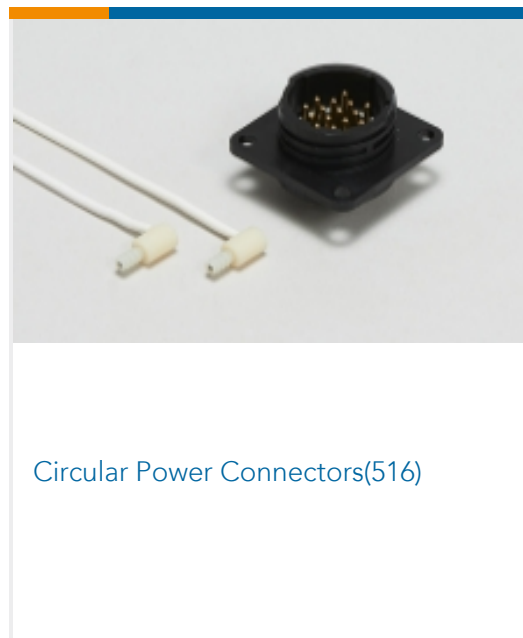
Circular Connector Hardware(3)



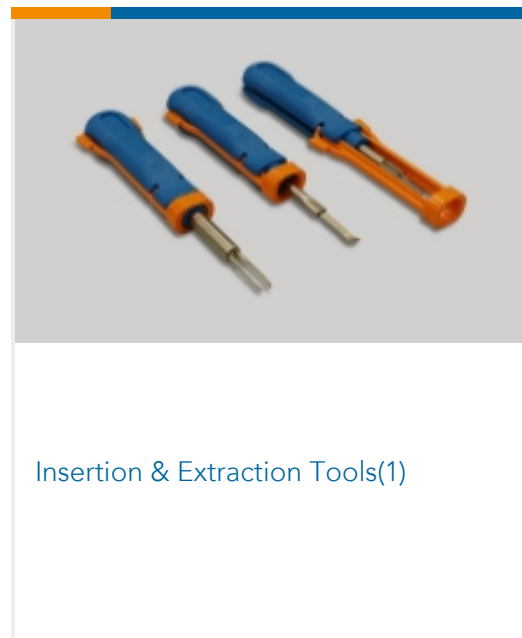
Circular Connector Keying Plugs(2)



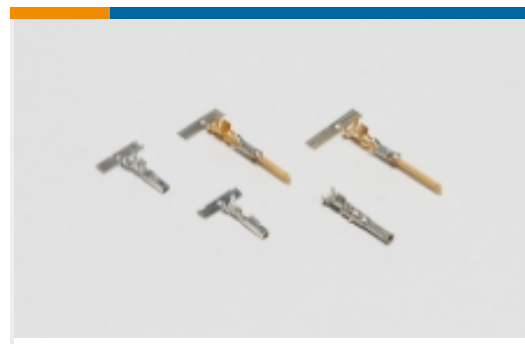
Circular Connector Seals(36)



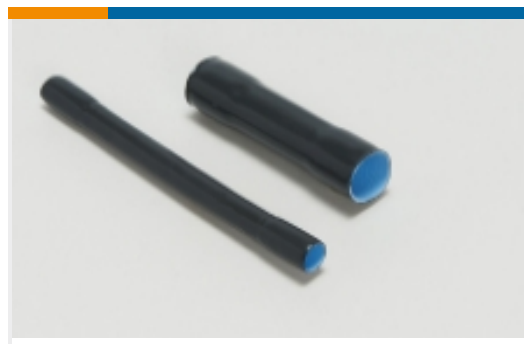
Circular Power Connectors(516)



Insertion & Extraction Tools(1)



Power Contacts(6)



Sealing Sleeves(2)

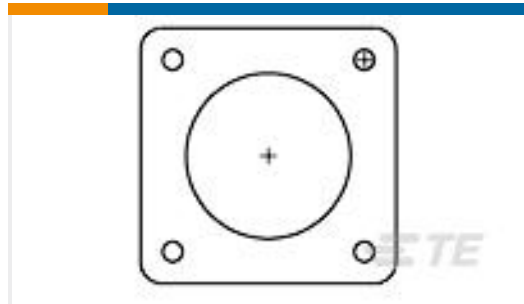


Unscreened Circular Connector Backshells & Clamps(5)

## Customers Also Bought



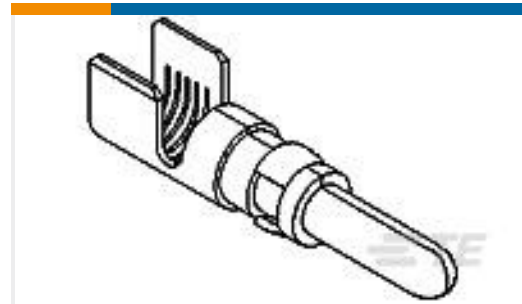
TE Part #183040-1  
CPC SQ.FL.RCPT STD SEX SIZE



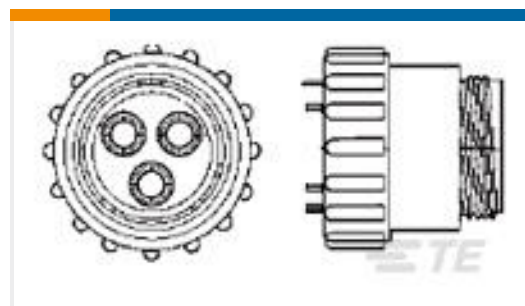
TE Part #81665-2  
FLANGE GASKET CPC



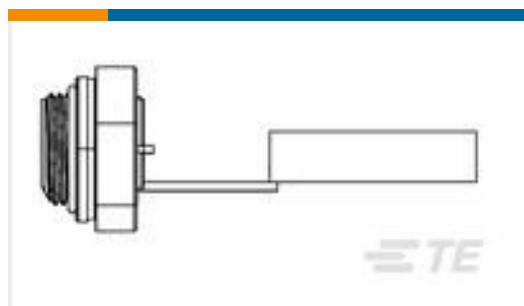
TE Part #207446-3  
SEALING CAP ASSY,SZ 23,CPC



TE Part #213845-3  
POWERBAND CONT ASSY,SILVER PLT



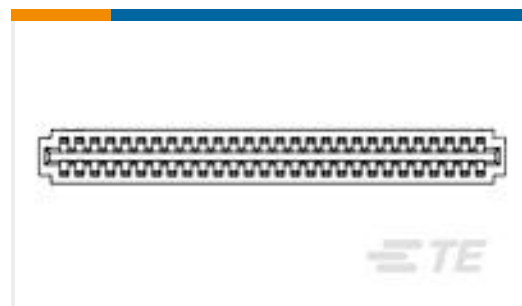
TE Part #213905-1  
CPC PLUG ASSY,SERIES 5,SZ 17-3



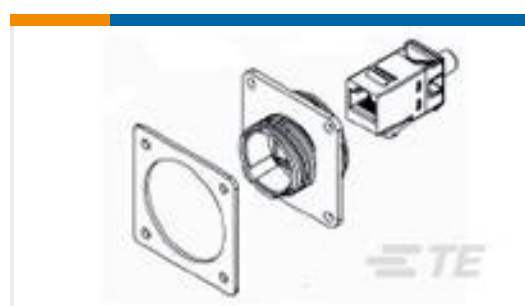
TE Part #1-1546411-1  
ETHERNET RCPT W/PC BRD & CBL



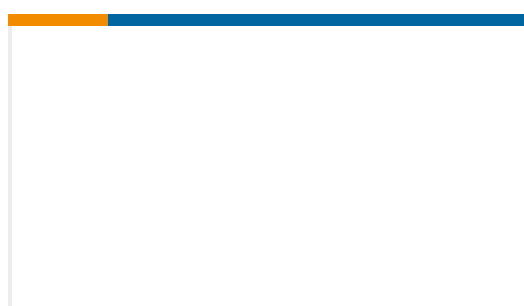
TE Part #341001-4  
PL 250 REC TERMINAL 13-11 TPPB LP



TE Part #583873-9  
HOUSING CSTL 125 C/L 22 POS



TE Part #1546908-1  
CPC RCP ASSY,IND ETHERNET,SHLD



TE Part #4-1768399-0  
SP100375WE2.5-SP

## Documents

### Product Drawings

[SEALING CAP ASSY, 17,CPC ROHS Compliant](#)

English

### CAD Files

[Customer View Model](#)

[ENG\\_CVM\\_CVM\\_207445-3\\_N.2d\\_dxf.zip](#)

English

[3D PDF](#)



3D

Customer View Model

[ENG\\_CVM\\_CVM\\_207445-3\\_N.3d\\_igs.zip](#)

English

Customer View Model

[ENG\\_CVM\\_CVM\\_207445-3\\_N.3d\\_stp.zip](#)

English

By downloading the CAD file I accept and agree to the [Terms and Conditions](#) of use.

---

### Product Specifications

[Application Specification](#)

English

---

### Instruction Sheets

[Instruction Sheet \(U.S.\)](#)

English

---

### Agency Approvals

[CSA Certificate](#)

English