

2-963964-7 ✓ ACTIVE



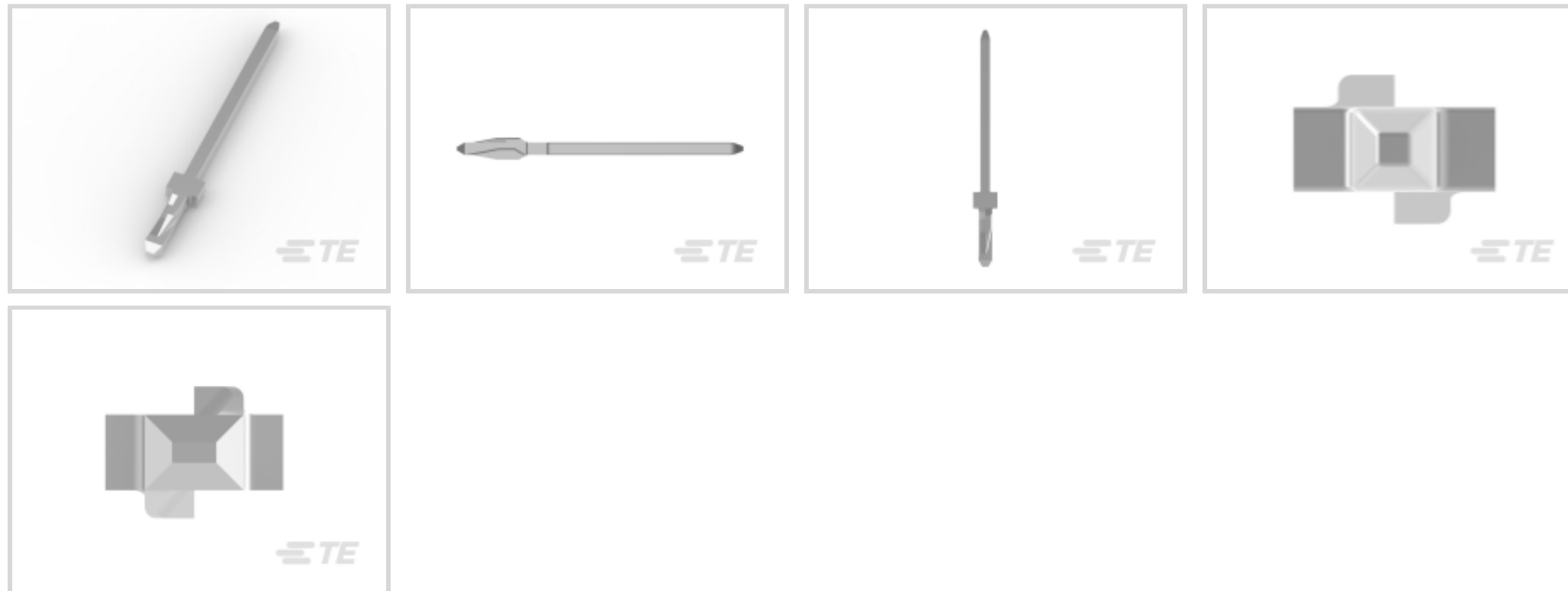
Press Fit Pin

TE Internal #: 2-963964-7

Automotive Terminals, Tab, Mating Tab Width .63 mm [.024 in], Tab Thickness .024 in [.63 mm], Tin (Sn) Interface Plating, Press Fit Pin

[View on TE.com >](#)

Terminals & Splices > Automotive Terminals > PRESS FIT PIN TERMINALS



Terminal Type: **Tab**

Mating Tab Width: **.63 mm [.024 in]**

Mating Tab Thickness: **.63 mm [.024 in]**

Terminal Transmits: **0 – 24 A (Low Power)**

Sealable: **No**

[All PRESS FIT PIN TERMINALS \(82\)](#)

Features

Product Type Features

Sealable	No
----------	----

Contact Features

Contact Size	.63mm
Contact Fabrication	Stamped & Formed
Terminal Type	Tab
Mating Tab Width	.63 mm[.024 in]
Mating Tab Thickness	.63 mm[.024 in]
Interface Plating	Tin (Sn)
Contact Termination Area Plating Material	Tin (Sn)

Termination Features

Termination Method to Printed Circuit Board	Through Hole - Press-Fit
Product Terminates To	Printed Circuit Board

Dimensions



Tab Length	14.7 mm[.578 in]
PCB Hole Diameter	1 mm[.04 in]

Usage Conditions

Insulation Option	Uninsulated
Operating Temperature (Max)	80 °C, 85 °C, 90 °C, 100 °C, 105 °C, 110 °C, 120 °C, 125 °C[176 °F][185 °F][194 °F][212 °F][221 °F][230 °F][248 °F][257 °F]
Operating Temperature Range	-40 – 125 °C[-40 – 257 °F]

Industry Standards

Agency/Standard	IEC 664/664A (DIN VDE 0110)
-----------------	-----------------------------

Packaging Features

Packaging Method	Reel
Packaging Quantity	50000

Other

Customer Preferred Contact	No
Terminal Transmits	0 – 24 A (Low Power)

Product Compliance

[For compliance documentation, visit the product page on TE.com>](#)

EU RoHS Directive 2011/65/EU	Compliant
EU ELV Directive 2000/53/EC	Compliant
China RoHS 2 Directive MIIT Order No 32, 2016	No Restricted Materials Above Threshold
EU REACH Regulation (EC) No. 1907/2006	Current ECHA Candidate List: JUNE 2022 (224) Candidate List Declared Against: JAN 2022 (223) SVHC > Threshold: Not Yet Reviewed
Halogen Content	Low Halogen - Br, Cl, F, I < 900 ppm per homogenous material. Also BFR/CFR/PVC Free
Solder Process Capability	Not applicable for solder process capability

Product Compliance Disclaimer

This information is provided based on reasonable inquiry of our suppliers and represents our current actual knowledge based on the information they provided. This information is subject to change. The part numbers that TE has identified as EU RoHS compliant have a maximum concentration of 0.1% by weight in homogenous materials for lead, hexavalent chromium, mercury, PBB, PBDE, DBP, BBP, DEHP, DIBP, and 0.01% for cadmium, or qualify for an exemption to these

limits as defined in the Annexes of Directive 2011/65/EU (RoHS2). Finished electrical and electronic equipment products will be CE marked as required by Directive 2011/65/EU. Components may not be CE marked. Additionally, the part numbers that TE has identified as EU ELV compliant have a maximum concentration of 0.1% by weight in homogenous materials for lead, hexavalent chromium, and mercury, and 0.01% for cadmium, or qualify for an exemption to these limits as defined in the Annexes of Directive 2000/53/EC (ELV). Regarding the REACH Regulation, the information TE provides on SVHC in articles for this part number is based on the latest European Chemicals Agency (ECHA) 'Guidance on requirements for substances in articles' posted at this URL: <https://echa.europa.eu/guidance-documents/guidance-on-reach>

Compatible Parts



TE Part # CAT-P100
P100 PIN INSERTION MACHINE



TE Part # CAT-P280
P280 PIN INSERTION MACHINE



TE Part # CAT-P300
P300 PIN INSERTION MACHINE

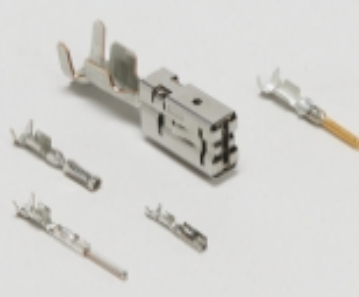


TE Part # CAT-P360
P360 PIN INSERTION MACHINE



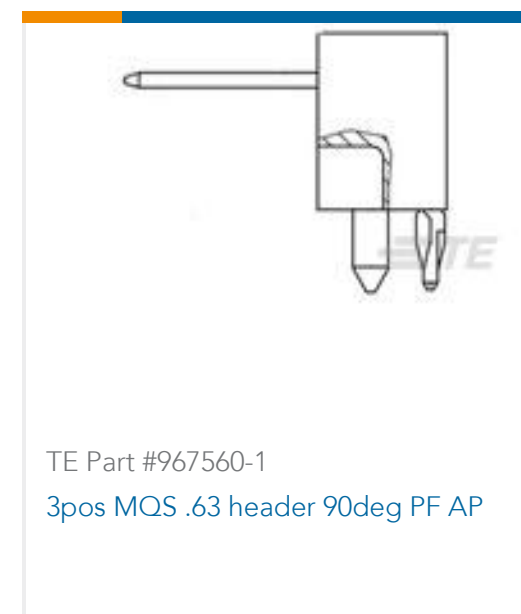
TE Part # CAT-P550
P550 PIN INSERTION MACHINE

Also in the Series | Press Fit Pin



Automotive Terminals(81)

Customers Also Bought



Documents

Product Drawings

MQS STIFTE MAGZ

English

CAD Files

3D PDF

3D

Customer View Model

[ENG_CVM_CVM_2-963964-7_A.2d_dxf.zip](#)

English

Customer View Model

[ENG_CVM_CVM_2-963964-7_A.3d_igs.zip](#)

English

Customer View Model

[ENG_CVM_CVM_2-963964-7_A.3d_stp.zip](#)

English

By downloading the CAD file I accept and agree to the [Terms and Conditions](#) of use.

Datasheets & Catalog Pages

Press-Fit Connections for the Automotive Industry

English

Product Specifications

Kontaktstift 0.63x0.63 mit ACTION PIN

English

Product Specification

English

Product Environmental Compliance

Product Compliance

English

Product Compliance

English