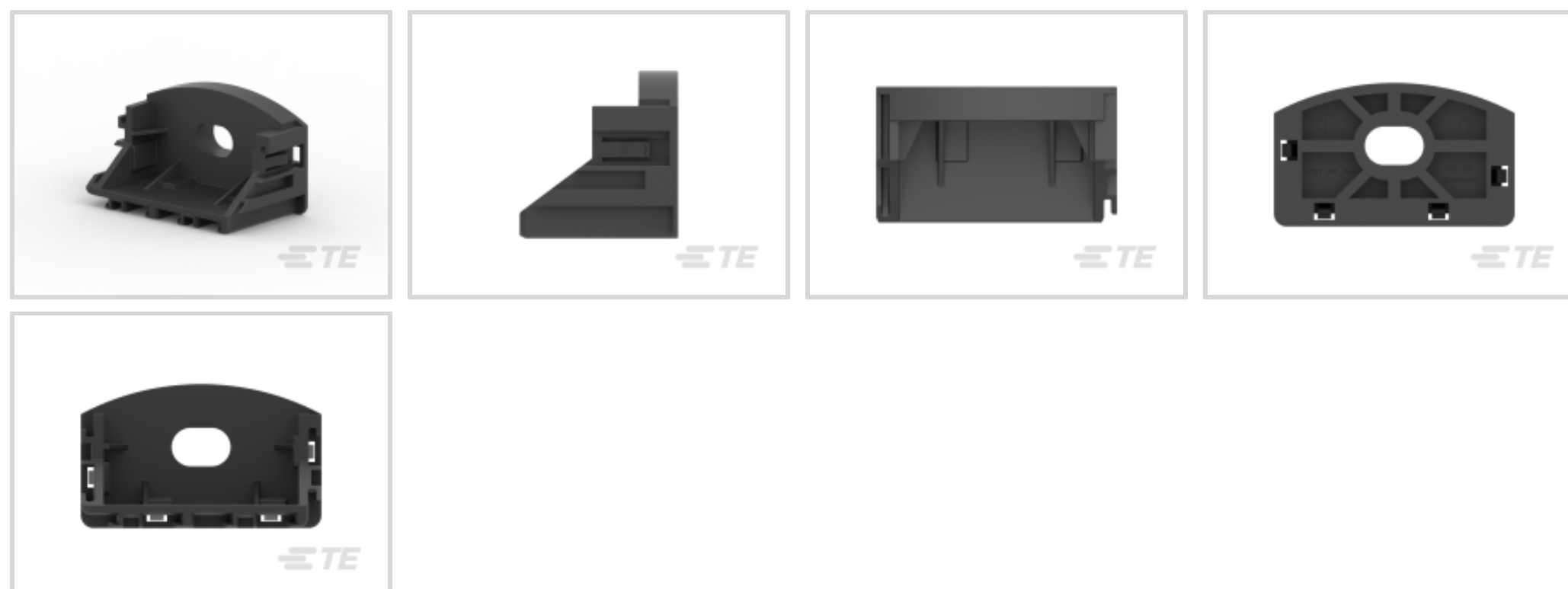




Connectors > Automotive Connectors > Power Distribution Boxes > Hard Wired Box Accessories



Hardware Accessory Type: **Brackets**

UL Flammability Rating: **UL 94HB**

Vibration Class Level: **3G**

Sealable: **No**

Operating Temperature Range: **-40 – 85 °C [-40 – 185 °F]**

## Features

### Product Type Features

|                         |          |
|-------------------------|----------|
| Hardware Accessory Type | Brackets |
| Sealable                | No       |

### Usage Conditions

|                             |                           |
|-----------------------------|---------------------------|
| Operating Temperature Range | -40 – 85 °C[-40 – 185 °F] |
|-----------------------------|---------------------------|

### Operation/Application

|                       |    |
|-----------------------|----|
| Vibration Class Level | 3G |
|-----------------------|----|

### Industry Standards

|                        |         |
|------------------------|---------|
| UL Flammability Rating | UL 94HB |
|------------------------|---------|

## Product Compliance

[For compliance documentation, visit the product page on TE.com>](#)

|   |   |
|---|---|
| EU RoHS Directive 2011/65/EU                  | Compliant                               |
| EU ELV Directive 2000/53/EC                   | Compliant                               |
| China RoHS 2 Directive MIIT Order No 32, 2016 | No Restricted Materials Above Threshold |
| EU REACH Regulation (EC) No. 1907/2006        |   |



Current ECHA Candidate List: JUNE 2022  
 (224)  
 Candidate List Declared Against: JAN 2022  
 (223)  
 SVHC > Threshold:  
 Not Yet Reviewed

Halogen Content  
 Low Halogen - Br, Cl, F, I < 900 ppm per homogenous material. Also BFR/CFR/PVC Free

Solder Process Capability  
 Not reviewed for solder process capability

Product Compliance Disclaimer

This information is provided based on reasonable inquiry of our suppliers and represents our current actual knowledge based on the information they provided. This information is subject to change. The part numbers that TE has identified as EU RoHS compliant have a maximum concentration of 0.1% by weight in homogenous materials for lead, hexavalent chromium, mercury, PBB, PBDE, DBP, BBP, DEHP, DIBP, and 0.01% for cadmium, or qualify for an exemption to these limits as defined in the Annexes of Directive 2011/65/EU (RoHS2). Finished electrical and electronic equipment products will be CE marked as required by Directive 2011/65/EU. Components may not be CE marked. Additionally, the part numbers that TE has identified as EU ELV compliant have a maximum concentration of 0.1% by weight in homogenous materials for lead, hexavalent chromium, and mercury, and 0.01% for cadmium, or qualify for an exemption to these limits as defined in the Annexes of Directive 2000/53/EC (ELV). Regarding the REACH Regulation, the information TE provides on SVHC in articles for this part number is based on the latest European Chemicals Agency (ECHA) 'Guidance on requirements for substances in articles' posted at this URL: <https://echa.europa.eu/guidance-documents/guidance-on-reach>

### Compatible Parts



TE Part # 2141024-1  
 RELAY BOX ASSY,HARD WIRED




TE Part # 2141026-1  
 RELAY BOX ASSY,HARD WIRED



TE Part # 2141022-1  
 RELAY BOX ASSY,HARD WIRED

### Customers Also Bought



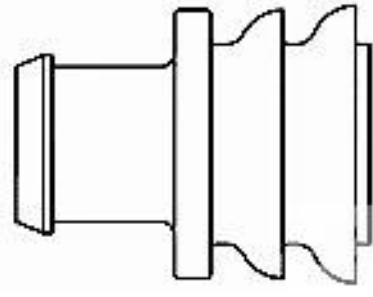
TE Part #DT04-2P  
 DEUTSCH DT Series Housings & Connectors



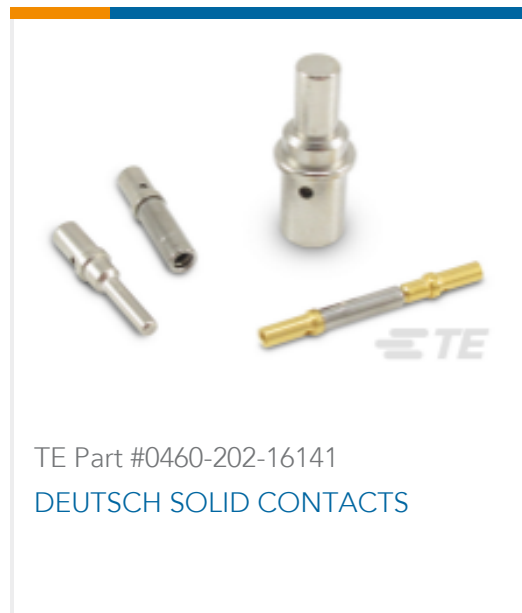
TE Part #W2S  
 DEUTSCH DT WEDGELOCKS



TE Part #282104-1  
 AMP SUPERSEAL 1.5MM, CONNECTOR HOUSING



TE Part #281934-2  
 SINGLE WIRE SEAL



## Documents

### Product Drawings

[MOUNTING BRACKET, ENGINE COMPT FRB](#)

English

### CAD Files

[3D PDF](#)

3D

Customer View Model

[ENG\\_CVM\\_CVM\\_2066561-1\\_A.2d\\_dxf.zip](#)

English

Customer View Model

[ENG\\_CVM\\_CVM\\_2066561-1\\_A.3d\\_igs.zip](#)

English

Customer View Model

[ENG\\_CVM\\_CVM\\_2066561-1\\_A.3d\\_stp.zip](#)

English

By downloading the CAD file I accept and agree to the [Terms and Conditions](#) of use.

### Product Environmental Compliance

[Product Compliance](#)

English

[Product Compliance](#)

English