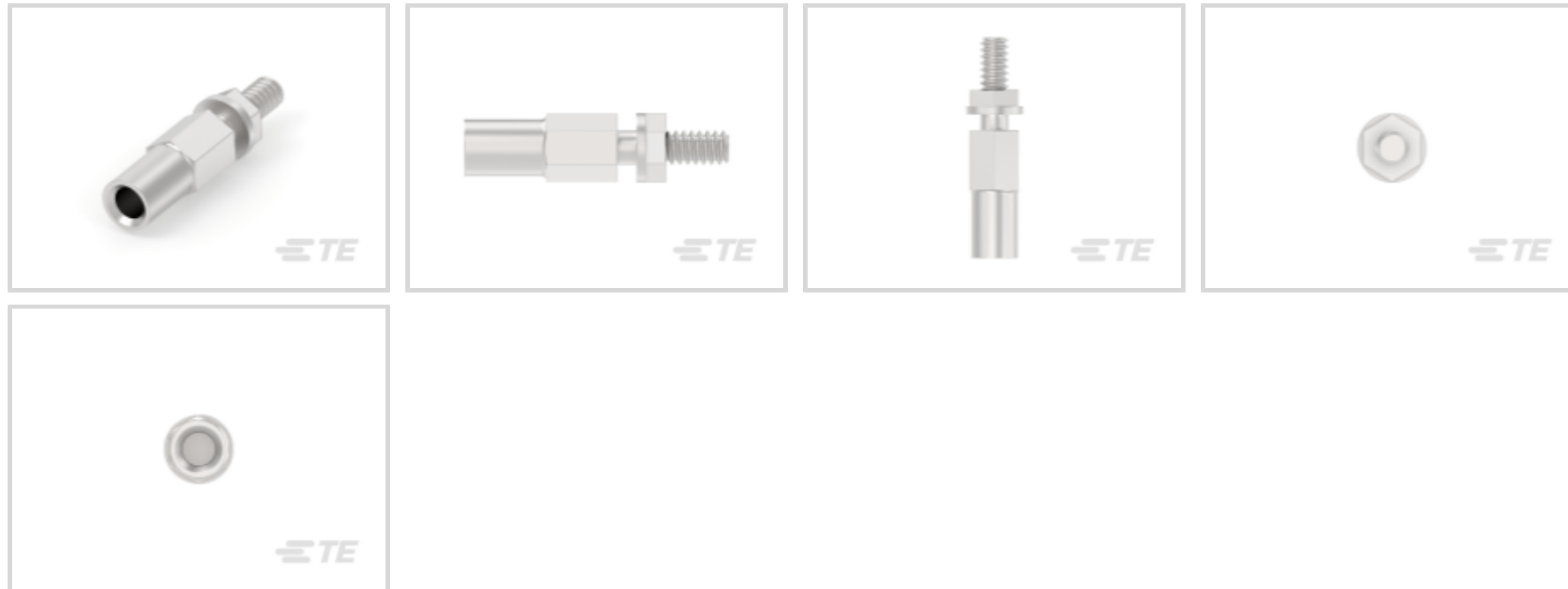




Connectors > Rectangular Connectors > Rectangular Connector Accessories > Rectangular Connector Hardware



Hardware Type: **Jackscrew Kit**

Jackscrew Type: **Fixed**

Jackscrew Style: **Female**

Connector System: **Wire-to-Wire**

Number of Positions: **6, 12, 14, 15, 16, 20, 26, 28, 34, 41, 42, 50, 75, 104**

## Features

### Product Type Features

Strain Relief	Without
Product Type	Hardware
Connector System	Wire-to-Wire
Sealable	No
Connector & Contact Terminates To	Wire & Cable

### Configuration Features

Number of Positions	6, 12, 14, 15, 16, 20, 26, 28, 34, 41, 42, 50, 75, 104
---------------------	--

### Body Features

Material	Stainless Steel
Thread Lead Type	Single

### Mechanical Attachment

Jackscrew Material	Stainless Steel
Mounting Hardware	Nuts and Lockwashers



Screw & Hole Thread Size	6-32 [M3.5 x .6]
Hardware Type	Jackscrew Kit
Jackscrew Type	Fixed
Jackscrew Style	Female
Connector Mounting Type	Cable Mount (Free-Hanging)

### Dimensions

Height	5.72 mm[.225 in]
Length	21.26 mm[.837 in]
Width	5.72 mm[.225 in]

### Usage Conditions

Operating Temperature Range	-55 – 150 °C[-67 – 302 °F]
-----------------------------	----------------------------

### Operation/Application

For Use With	6, 14, 20, 26, 34, 41, 50, 75 and 104 Position Standard Connectors
Circuit Application	Power & Signal

### Packaging Features

Packaging Quantity	100
Packaging Method	Bag

### Other

Comment	Two required.
---------	---------------

### Product Compliance

[For compliance documentation, visit the product page on TE.com>](#)

EU RoHS Directive 2011/65/EU	Compliant
EU ELV Directive 2000/53/EC	Compliant
China RoHS 2 Directive MIIT Order No 32, 2016	No Restricted Materials Above Threshold
EU REACH Regulation (EC) No. 1907/2006	Current ECHA Candidate List: JUNE 2022 (224) Candidate List Declared Against: JAN 2021 (211) SVHC > Threshold: Not Yet Reviewed
Halogen Content	BFR/CFR/PVC Free, but Br/Cl >900 ppm in other sources.
Solder Process Capability	Not applicable for solder process capability

## Product Compliance Disclaimer

This information is provided based on reasonable inquiry of our suppliers and represents our current actual knowledge based on the information they provided. This information is subject to change. The part numbers that TE has identified as EU RoHS compliant have a maximum concentration of 0.1% by weight in homogenous materials for lead, hexavalent chromium, mercury, PBB, PBDE, DBP, BBP, DEHP, DIBP, and 0.01% for cadmium, or qualify for an exemption to these limits as defined in the Annexes of Directive 2011/65/EU (RoHS2). Finished electrical and electronic equipment products will be CE marked as required by Directive 2011/65/EU. Components may not be CE marked. Additionally, the part numbers that TE has identified as EU ELV compliant have a maximum concentration of 0.1% by weight in homogenous materials for lead, hexavalent chromium, and mercury, and 0.01% for cadmium, or qualify for an exemption to these limits as defined in the Annexes of Directive 2000/53/EC (ELV). Regarding the REACH Regulation, the information TE provides on SVHC in articles for this part number is based on the latest European Chemicals Agency (ECHA) 'Guidance on requirements for substances in articles' posted at this URL: <https://echa.europa.eu/guidance-documents/guidance-on-reach>

## Compatible Parts



## Customers Also Bought



## Documents

## Product Drawings

## SERIES "M" JACKSCREW SOCKET ASS

English



### CAD Files

Customer View Model

[ENG\\_CVM\\_CVM\\_201089-4\\_J.2d\\_dxf.zip](#)

English

3D PDF

3D

Customer View Model

[ENG\\_CVM\\_CVM\\_201089-4\\_J.3d\\_igs.zip](#)

English

Customer View Model

[ENG\\_CVM\\_CVM\\_201089-4\\_J.3d\\_stp.zip](#)

English

By downloading the CAD file I accept and agree to the [Terms and Conditions](#) of use.

### Datasheets & Catalog Pages

[M\\_SERIES\\_PIN\\_AND\\_SOCKET\\_CONNECTORS](#)

English