

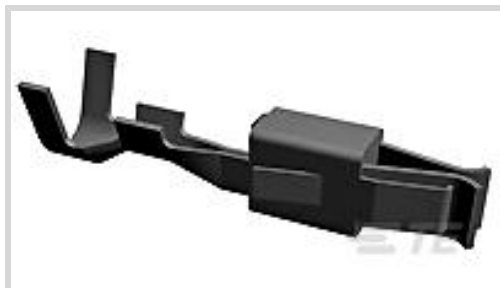
1-929939-1 ✓ ACTIVE

### Junior Power Timer

TE Internal #: 1-929939-1

TE Internal Description: JPT REC 2.8 Contact SWS Au  
TIMER, RECEPTACLE AND TAB

[View on TE.com >](#)



### All TIMER, RECEPTACLE AND TAB (346)

### Product Compliance

[For compliance documentation, visit the product page on TE.com>](#)

EU RoHS Directive 2011/65/EU	Compliant
EU ELV Directive 2000/53/EC	Compliant
China RoHS 2 Directive MIIT Order No 32, 2016	No Restricted Materials Above Threshold
EU REACH Regulation (EC) No. 1907/2006	Current ECHA Candidate List: JUNE 2022 (224) Candidate List Declared Against: JAN 2022 (223) SVHC > Threshold: Not Yet Reviewed
Halogen Content	Low Halogen - Br, Cl, F, I < 900 ppm per homogenous material. Also BFR/CFR/PVC Free
Solder Process Capability	Not applicable for solder process capability

#### Product Compliance Disclaimer

This information is provided based on reasonable inquiry of our suppliers and represents our current actual knowledge based on the information they provided. This information is subject to change. The part numbers that TE has identified as EU RoHS compliant have a maximum concentration of 0.1% by weight in homogenous materials for lead, hexavalent chromium, mercury, PBB, PBDE, DBP, BBP, DEHP, DIBP, and 0.01% for cadmium, or qualify for an exemption to these limits as defined in the Annexes of Directive 2011/65/EU (RoHS2). Finished electrical and electronic equipment products will be CE marked as required by Directive 2011/65/EU. Components may not be CE marked. Additionally, the part numbers that TE has identified as EU ELV compliant have a maximum concentration of 0.1% by weight in homogenous materials for lead, hexavalent chromium, and mercury, and 0.01% for cadmium, or qualify for an exemption to these limits as defined in the Annexes of Directive 2000/53/EC (ELV). Regarding the REACH Regulation, the information TE provides on SVHC in articles for this part number is based on the latest European Chemicals Agency (ECHA) 'Guidance on requirements for substances in articles' posted at this URL: <https://echa.europa.eu/guidance-documents/guidance-on-reach>

### Compatible Parts



TE Part # CAT-T4827-CH8172  
TIMER, CONNECTOR HOUSING



TE Part # 4-1579007-3  
EXTRACTION TOOL KIT



TE Part # 1-1579007-6  
EXTRACTION TOOL



TE Part # 828905-1  
SINGLE-WIRE-SEAL(5MM HOLE)



TE Part # 828904-1  
SINGLE WIRE SEAL FOR J.P.T.CON



TE Part # 2305570-1  
TERMINAL CUTTER, SIDE FEED



TE Part # 2137216-1  
3P SPLASH PROOF CONNECTOR  
ASS'



TE Part # 1308280-1  
JPT RCPT EXTRACTION TOOL



TE Part # 2-2151191-1  
OCEAN\_2.0\_APPLICATOR-S-  
080F1600



TE Part # 2-2151191-2  
OCEAN\_2.0\_APPLICATOR-S-  
080F1600



TE Part # 2137216-2  
3P SPLASH PROOF CONNECTOR  
ASS'



TE Part # 2151191-1  
OCEAN\_2.0\_APPLICATOR-S-  
080F1600



TE Part # 2151191-2  
OCEAN\_2.0\_APPLICATOR-S-  
080F1600



TE Part # 5-2151191-1  
OCEAN\_2.0\_APPLICATOR-S-  
080F1600



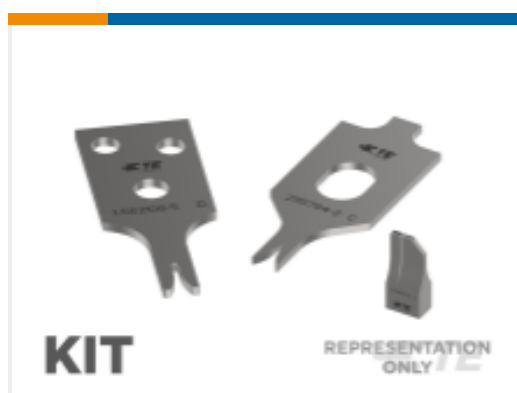
TE Part # 5-2151191-2  
OCEAN\_2.0\_APPLICATOR-S-  
080F1600



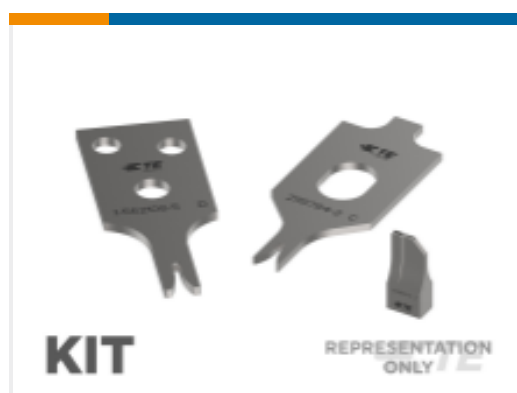
TE Part # 7-2151191-1  
OCEAN\_2.0\_APPLICATOR-S-  
080F1600



TE Part # 7-2151191-2  
OCEAN\_2.0\_APPLICATOR-S-  
080F1600



TE Part # 7-2151191-7  
OCEAN\_2.0\_SPARE\_PART\_KIT-  
080F1600



TE Part # 7-2266070-7  
OC-080F1600-CRIMPTOOLINGKIT



TE Part # 282189-8  
SPLASH PROOF CONN. W.S.L.

### Also in the Series | Junior Power Timer



Automotive Connector Caps & Covers (5)



Automotive Housings(225)



Automotive Seals & Cavity Plugs(10)



Automotive Terminals(82)



Busbars & Terminals(1)



Insertion & Extraction Tools(9)



Module Components(8)



Other Automotive Connector Accessories(1)



PCB Headers & Receptacles(1)

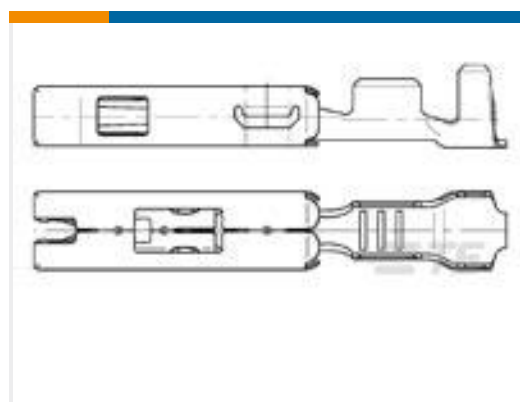
## Customers Also Bought



TE Part #282190-1  
TIMER, CONNECTOR HOUSING



TE Part #828904-1  
SINGLE WIRE SEAL FOR J.P.T.CON



TE Part #929027-2  
1.5MM SFC



TE Part #2050049-1  
3POS 2.8MM SENSOR PLUG ASSY



TE Part #2301240-1  
RETAINER, PLUG HSG., 49POSN.,



TE Part #929672-1  
55P JUN-POW-TIM HOUSING

## Documents



### Product Drawings

[JPT REC 2.8 Contact SWS Au](#)

English

[JPT REC 2.8 Contact SWS Au](#)

English

---

### CAD Files

Customer View Model

[ENG\\_CVM\\_1-929939-1\\_A9.3d\\_igs.zip](#)

English

Customer View Model

[ENG\\_CVM\\_1-929939-1\\_A9.3d\\_stp.zip](#)

English

3D PDF

English

Customer View Model

[ENG\\_CVM\\_1-929939-1\\_A9.2d\\_dxf.zip](#)

English

By downloading the CAD file I accept and agree to the [Terms and Conditions](#) of use.

---

### Datasheets & Catalog Pages

[Timer Interconnection System](#)

English

---

### Product Specifications

[Application Specification](#)

German

[Application Specification](#)

English