

2-521406-2 ✓ ACTIVE

Ultra-Fast | ULTRA-FAST 205

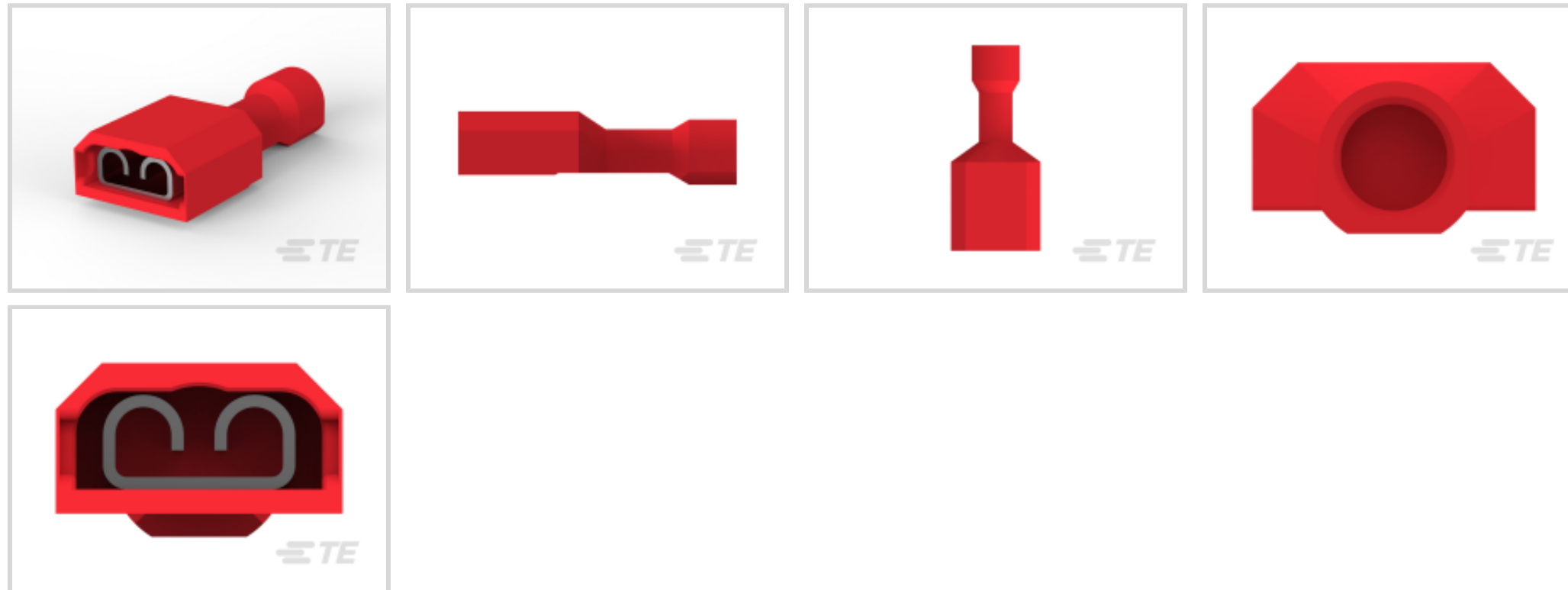
TE Internal #: 2-521406-2

Quick Disconnects, Receptacle, 22 – 18 AWG Wire Size, .32 – .82 mm² Wire Size, Mating Tab Width .205 in [5.21 mm], Straight, Brass, ULTRA-FAST 205

[View on TE.com >](#)



Terminals & Splices > Quick Disconnects



Quick Disconnect Terminal Type: **Receptacle**

Wire Size: .32 – .82 mm²

Mating Tab Width: 5.21 mm [.205 in]

Mating Tab Thickness: .51 mm [.02 in]

Features

Product Type Features

Terminates To	Wire & Cable
Wire/Cable Type	Regular Wire
Wire Stop	Yes
Insertion Force	Normal
Sealable	No

Configuration Features

Connection Capacity	Single
---------------------	--------

Electrical Characteristics

Voltage (Max)	600 V
---------------	-------

Body Features

Insulation Material	Nylon
---------------------	-------

Contact Features

Quick Disconnect Terminal Type	Receptacle
Mating Tab Width	5.21 mm [.205 in]



Mating Tab Thickness	.51 mm[.02 in]
Terminal Orientation	Straight
Contact Base Material	Brass
Terminal Plating Material	Tin
Crimp Type	F-Crimp
Barrel Type	Closed

Mechanical Attachment

Mating Retention Type	Dimple
Wire Insulation Support	With

Dimensions

Accepts Wire Insulation Diameter Range	3.43 mm[.135 in]
Receptacle Terminal Stock Thickness	.41 mm[.016 in]
Overall Length	21.75 mm[.855 in]
Wire Size	.32 – .82 mm ²

Usage Conditions

Insulation Option	Uninsulated
Operating Temperature Range	-40 – 110 °C[-40 – 230 °F]

Industry Standards

UL Flammability Rating	UL 94V-2
UL Rating	Listed

Packaging Features

Packaging Quantity	2200
Packaging Method	Strip/Reel

Other

Barrel Color	Red
--------------	-----

Product Compliance

[For compliance documentation, visit the product page on TE.com>](#)

EU RoHS Directive 2011/65/EU	Compliant
EU ELV Directive 2000/53/EC	Compliant
China RoHS 2 Directive MIIT Order No 32, 2016	No Restricted Materials Above Threshold
EU REACH Regulation (EC) No. 1907/2006	



Current ECHA Candidate List: JUNE 2022

(224)

Candidate List Declared Against: JAN 2022

(223)

SVHC > Threshold:

Not Yet Reviewed

Halogen Content

Low Halogen - Br, Cl, F, I < 900 ppm per homogenous material. Also BFR/CFR/PVC Free

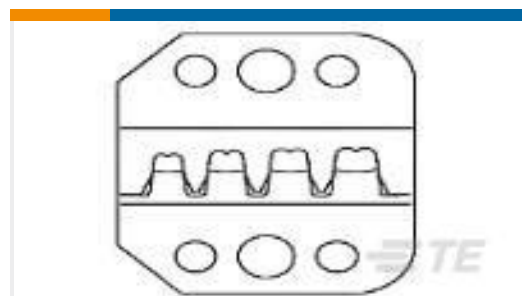
Solder Process Capability

Not applicable for solder process capability

Product Compliance Disclaimer

This information is provided based on reasonable inquiry of our suppliers and represents our current actual knowledge based on the information they provided. This information is subject to change. The part numbers that TE has identified as EU RoHS compliant have a maximum concentration of 0.1% by weight in homogenous materials for lead, hexavalent chromium, mercury, PBB, PBDE, DBP, BBP, DEHP, DIBP, and 0.01% for cadmium, or qualify for an exemption to these limits as defined in the Annexes of Directive 2011/65/EU (RoHS2). Finished electrical and electronic equipment products will be CE marked as required by Directive 2011/65/EU. Components may not be CE marked. Additionally, the part numbers that TE has identified as EU ELV compliant have a maximum concentration of 0.1% by weight in homogenous materials for lead, hexavalent chromium, and mercury, and 0.01% for cadmium, or qualify for an exemption to these limits as defined in the Annexes of Directive 2000/53/EC (ELV). Regarding the REACH Regulation, the information TE provides on SVHC in articles for this part number is based on the latest European Chemicals Agency (ECHA) 'Guidance on requirements for substances in articles' posted at this URL: <https://echa.europa.eu/guidance-documents/guidance-on-reach>

Compatible Parts



TE Part # 58628-2
PROCIMP DIESET 26-14 ULTRAFast



TE Part # 58628-1
PROCIMP T&D 26-14 ULTRAFast



TE Part # 90390-3
DIES ULTRA-FAST FASTON 22-18 DIE SET



TE Part # 2151034-2
OCEAN_2.0_APPLICATOR-S-1760



TE Part # 2-2151034-2
OCEAN_2.0_APPLICATOR-S-1760



TE Part # 7-2151034-2
OCEAN_2.0_APPLICATOR-S-1760



TE Part # 7-2151034-7
OCEAN_2.0_SPARE_PART_KIT-1760

Also in the Series | **ULTRA-FAST 205**

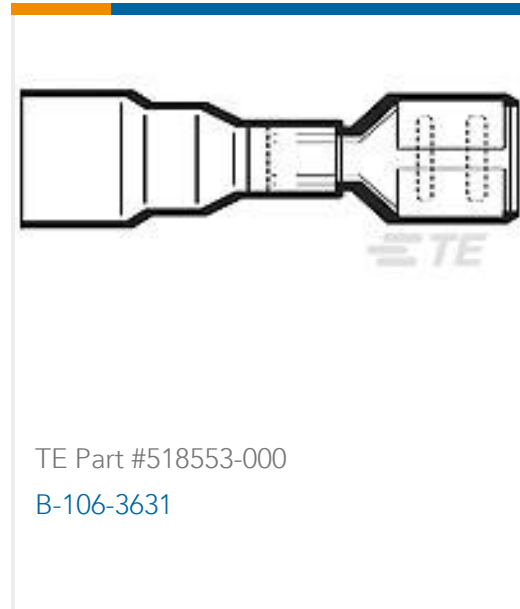


Quick Disconnects(3)

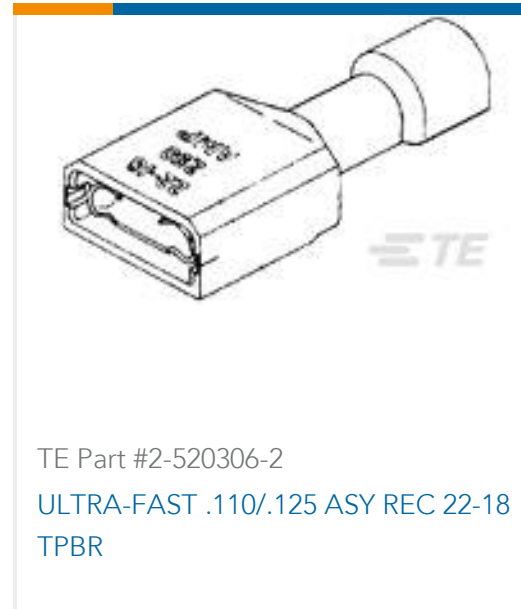
Customers Also Bought



TE Part #4-640440-6
16P MTA100 CONN ASSY 22AWG RED



TE Part #518553-000
B-106-3631



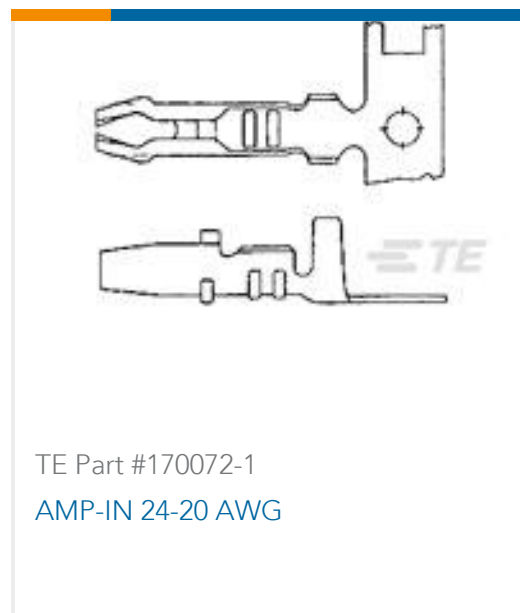
TE Part #2-520306-2
ULTRA-FAST .110/.125 ASY REC 22-18 TPBR



TE Part #1-2834011-4
4POS 3.5MM TOP ENTRY SCREWLESS CONN.



TE Part #3-967325-3
2,5MM BU-GEH 2P,GN



TE Part #170072-1
AMP-IN 24-20 AWG



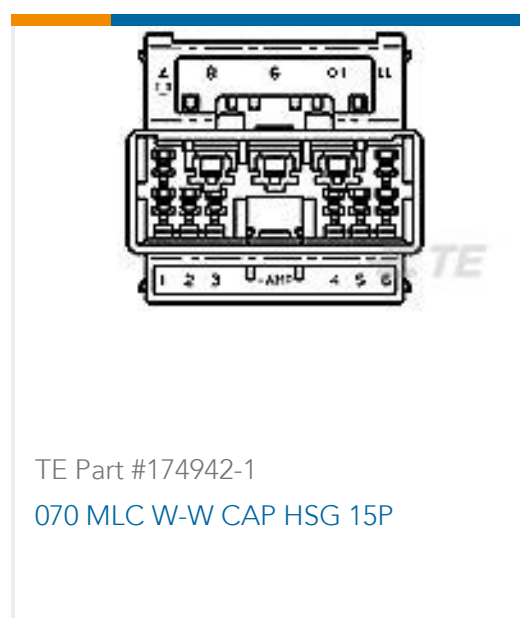
TE Part #1-534206-7
34 MODII VRT DR CE 100/115



TE Part #140759
250 FASTON,TAB,TPBR



TE Part #1487598-1
USB, A-B, 25/20, BLACK, 4.0M



TE Part #174942-1
070 MLC W-W CAP HSG 15P

Documents

Product Drawings

205 ULTRA-FAST RCPT 22-18 TPBR

English

CAD Files

3D PDF

3D

Customer View Model

ENG_CVM_CVM_2-521406-2_B.2d_dxf.zip



English

Customer View Model

[ENG_CVM_CVM_2-521406-2_B.3d_igs.zip](#)

English

Customer View Model

[ENG_CVM_CVM_2-521406-2_B.3d_stp.zip](#)

English

By downloading the CAD file I accept and agree to the [Terms and Conditions](#) of use.

Datasheets & Catalog Pages

[Ultra-Fast and Ultra Fast Plus](#)

English

Product Specifications

[Application Specification](#)

English

Agency Approvals

[UL](#)

English