

**AMP-IN**

TE Internal #: 2-173985-2

PCB Mount One-Piece IDC Connector, Vertical, Wire-to-Board, 2 Position, .079 in [2 mm] Centerline, Discrete Wire, Through Hole - Press-Fit, Light Blue

[View on TE.com >](#)
[Connectors >](#) [PCB Connectors >](#) [Board-In Connectors](#)
PCB Connector Assembly Type: **PCB Mount One-Piece IDC Connector**PCB Mount Orientation: **Vertical**Connector System: **Wire-to-Board**Number of Positions: **2**Centerline (Pitch): **2 mm [ .079 in ]****Features****Product Type Features**

PCB Connector Assembly Type	PCB Mount One-Piece IDC Connector
Connector System	Wire-to-Board
Connector & Contact Terminates To	Printed Circuit Board, Wire & Cable

**Configuration Features**

PCB Mount Orientation	Vertical
Number of Positions	2
Compatible With Wire & Cable Type	Discrete Wire
Number of Rows	1

**Electrical Characteristics**

Operating Voltage	125 VAC
-------------------	---------

**Body Features**

Primary Product Color	Light Blue
-----------------------	------------

**Contact Features**

PCB Contact Termination Area Plating Material	Pre-Tin
Contact Base Material	Phosphor Bronze
Contact Current Rating (Max)	2 A

**Termination Features**

Termination Post & Tail Length	3.5 mm[.138 in]
--------------------------------	-----------------



Termination Method to Printed Circuit Board	Through Hole - Press-Fit
---------------------------------------------	--------------------------

### Mechanical Attachment

PCB Mount Retention Type	Retention Solder Tails
PCB Mount Alignment	Without
PCB Mount Retention	With

### Housing Features

Centerline (Pitch)	2 mm[.079 in]
Housing Material	PBT GF

### Dimensions

Connector Height	5.1 mm[.201 in]
PCB Thickness (Recommended)	.8 mm[.031 – .063 in]

### Usage Conditions

Operating Temperature Range	-40 – 105 °C[-40 – 105 °F]
-----------------------------	----------------------------

### Operation/Application

Circuit Application	Signal
---------------------	--------

### Industry Standards

UL Flammability Rating	UL 94V-0
------------------------	----------

### Packaging Features

Packaging Quantity	480
Packaging Type	Box, Tray

### Product Compliance

[For compliance documentation, visit the product page on TE.com>](#)

EU RoHS Directive 2011/65/EU	Compliant
EU ELV Directive 2000/53/EC	Compliant
China RoHS 2 Directive MIIT Order No 32, 2016	No Restricted Materials Above Threshold
EU REACH Regulation (EC) No. 1907/2006	Current ECHA Candidate List: JUNE 2022 (224) Candidate List Declared Against: JAN 2022 (223) SVHC > Threshold: Not Yet Reviewed
Halogen Content	Not Low Halogen - contains Br or Cl > 900 ppm.

Solder Process Capability

Wave solder capable to 260°C

Product Compliance Disclaimer

This information is provided based on reasonable inquiry of our suppliers and represents our current actual knowledge based on the information they provided. This information is subject to change. The part numbers that TE has identified as EU RoHS compliant have a maximum concentration of 0.1% by weight in homogenous materials for lead, hexavalent chromium, mercury, PBB, PBDE, DBP, BBP, DEHP, DIBP, and 0.01% for cadmium, or qualify for an exemption to these limits as defined in the Annexes of Directive 2011/65/EU (RoHS2). Finished electrical and electronic equipment products will be CE marked as required by Directive 2011/65/EU. Components may not be CE marked. Additionally, the part numbers that TE has identified as EU ELV compliant have a maximum concentration of 0.1% by weight in homogenous materials for lead, hexavalent chromium, and mercury, and 0.01% for cadmium, or qualify for an exemption to these limits as defined in the Annexes of Directive 2000/53/EC (ELV). Regarding the REACH Regulation, the information TE provides on SVHC in articles for this part number is based on the latest European Chemicals Agency (ECHA) 'Guidance on requirements for substances in articles' posted at this URL: <https://echa.europa.eu/guidance-documents/guidance-on-reach>

Compatible Parts



TE Part # 58074-1  
MTA 50/100/156 MANUAL TOOL FRAME



TE Part # 58372-1  
HEAD (IDC) 2MM C.T. W/O TL



TE Part # 2-173977-2  
CT CONN MT REC ASSY 2P BLUE



TE Part # 911790-1  
WEZAG PISTOL GRIP TOOL


Customers Also Bought



TE Part #185311-1  
MQS, CONNECTOR HOUSING



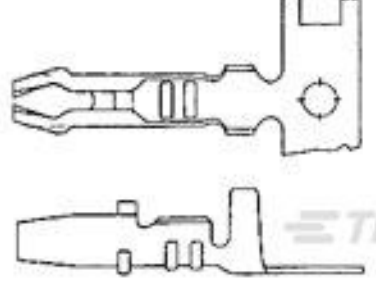
TE Part #2-353293-0  
MINI CT MT REC ASSY 20P GRAY



TE Part #175150-1  
UNIVERSAL POWER CONN TAB



TE Part #175178-1  
PL EX 250 REC TERMINAL-FLAG 12-10 PTPB



TE Part #170338-1  
AMP-IN 22-18 AWG



TE Part #175024-1  
250 PL EX REC. 15-10AWG PTPB



TE Part #1747050-3  
GIC7.92 2POS PLUG HSG.BLUE



TE Part #5-928999-5  
MQS0,63 Au rec LL unseal. >0,2-0,35

Documents

CAD Files

3D PDF



English

**Customer View Model**

[ENG\\_CVM\\_2-173985-2\\_F.3d\\_igs.zip](#)

English

**Customer View Model**

[ENG\\_CVM\\_2-173985-2\\_F.2d\\_dxf.zip](#)

English

**Customer View Model**

[ENG\\_CVM\\_2-173985-2\\_F.3d\\_stp.zip](#)

English

By downloading the CAD file I accept and agree to the [Terms and Conditions](#) of use.

---

**Product Specifications**

[Application Specification](#)

English

---

**Product Environmental Compliance**

[Product Compliance](#)

English

[Product Compliance](#)

English

---

**Instruction Sheets**

[MINI PRESS CT CONNECTOR \(WAS IS-553J\)](#)

Japanese

[Instruction Sheet \(non U.S.\)](#)

Japanese