

1-967616-1 ✓ ACTIVE

AMP | MQS

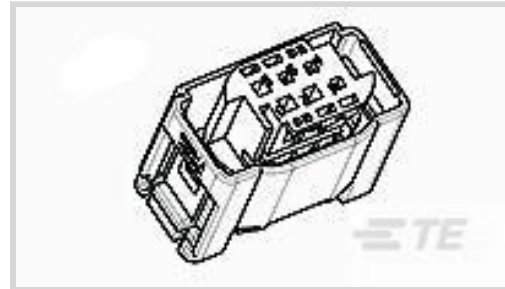
TE Internal #: 1-967616-1

Housing for Female Terminals, Wire-to-Wire, 6 Position, .157 in [2.54 mm] Centerline, Sealable, Black, Signal, Cable Mount (Free-Hanging), MQS

[View on TE.com >](#)



Connectors > Automotive Connectors > Connector Housings > MQS, CONNECTOR HOUSING



Connector & Housing Type: **Housing for Female Terminals**

Mating Tab Width: **.63 mm [.025 in]**

Connector System: **Wire-to-Wire**

Number of Positions: **6**

Centerline (Pitch): **2.54 mm [.157 in]**

[All MQS, CONNECTOR HOUSING \(557\)](#)

Features

Product Type Features

| | |
|---------------------------|------------------------------|
| Connector & Housing Shape | Rectangular |
| Connector & Housing Type | Housing for Female Terminals |
| Connector System | Wire-to-Wire |
| Sealable | Yes |
| Hybrid Connector | No |
| Primary Locking Feature | On the Terminal |

Configuration Features

| | |
|---------------------|---|
| Number of Positions | 6 |
| Number of Rows | 2 |

Body Features

| | |
|-----------------------|--------|
| Cable Exit Angle | 180° |
| Body Material | PBT GF |
| Primary Product Color | Black |
| Connector Code | A |

Contact Features

| | |
|--------------|------------|
| Contact Size | .63mm |
| Contact Type | Receptacle |



| | |
|------------------|-----------------|
| Mating Tab Width | .63 mm[.025 in] |
|------------------|-----------------|

Mechanical Attachment

| | |
|-----------------------------|----------------------------|
| Mounting Feature | Without |
| Terminal Position Assurance | Yes |
| Strain Relief | Without |
| Mating Alignment Type | Keyed |
| Mating Alignment | With |
| Connector Mounting Type | Cable Mount (Free-Hanging) |

Housing Features

| | |
|--------------------|------------------|
| Centerline (Pitch) | 2.54 mm[.157 in] |
|--------------------|------------------|

Dimensions

| | |
|--------------------|-------------------|
| Product Width | 17 mm[.669 in] |
| Product Length | 24 mm[.945 in] |
| Product Height | 30.4 mm[1.197 in] |
| Row-to-Row Spacing | 5.9 mm[.232 in] |

Usage Conditions

| | |
|-----------------------------|---|
| Operating Temperature (Max) | 70 °C, 75 °C, 80 °C, 85 °C, 90 °C, 100 °C, 105 °C, 110 °C, 120 °C[158 °F][167 °F][176 °F][185 °F][194 °F][212 °F][221 °F][230 °F][248 °F] |
| Operating Temperature Range | -40 – 120 °C[-40 – 248 °F] |

Operation/Application

| | |
|---------------------|--------|
| Circuit Application | Signal |
|---------------------|--------|

Industry Standards

| | |
|----------------------|-------|
| Degree of Protection | IPX9K |
|----------------------|-------|

Packaging Features

| | |
|------------------|-----|
| Packaging Method | Bag |
|------------------|-----|

Other

| | |
|--------------------------------------|----|
| Serviceable | No |
| Connector Position Assurance Capable | No |

Product Compliance

For compliance documentation, visit the product page on [TE.com](https://www.te.com)>

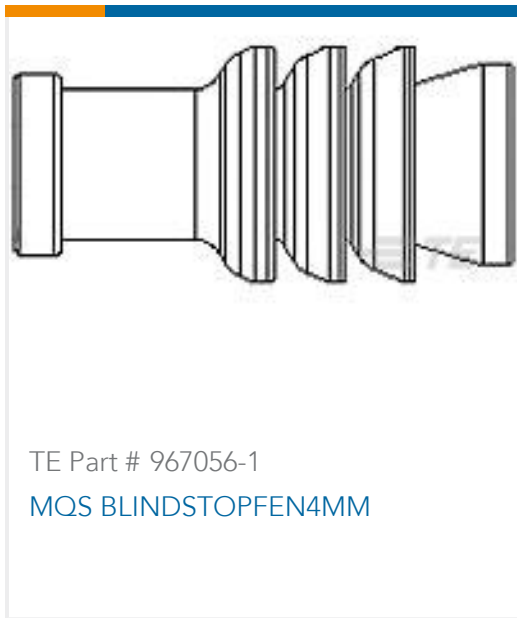
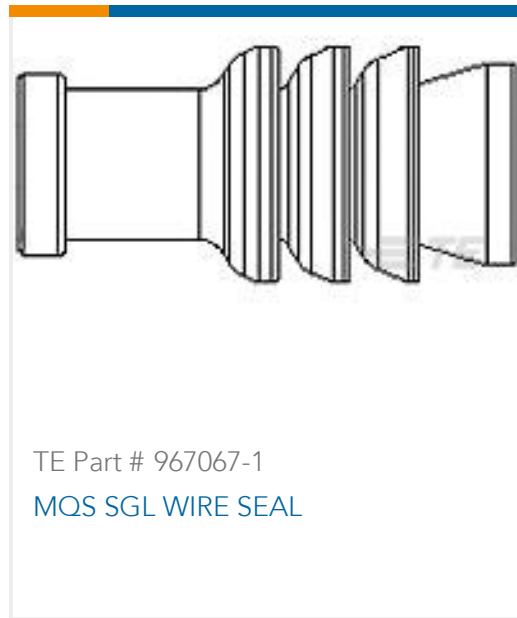





| | |
|---|---|
| EU RoHS Directive 2011/65/EU | Compliant |
| EU ELV Directive 2000/53/EC | Compliant |
| China RoHS 2 Directive MIIT Order No 32, 2016 | No Restricted Materials Above Threshold |
| EU REACH Regulation (EC) No. 1907/2006 | Current ECHA Candidate List: JUNE 2022 (224) Candidate List Declared Against: JUNE 2022 (224) Does not contain REACH SVHC |
| Halogen Content | Not Low Halogen - contains Br or Cl > 900 ppm. |
| Solder Process Capability | Not applicable for solder process capability |

Product Compliance Disclaimer

This information is provided based on reasonable inquiry of our suppliers and represents our current actual knowledge based on the information they provided. This information is subject to change. The part numbers that TE has identified as EU RoHS compliant have a maximum concentration of 0.1% by weight in homogenous materials for lead, hexavalent chromium, mercury, PBB, PBDE, DBP, BBP, DEHP, DIBP, and 0.01% for cadmium, or qualify for an exemption to these limits as defined in the Annexes of Directive 2011/65/EU (RoHS2). Finished electrical and electronic equipment products will be CE marked as required by Directive 2011/65/EU. Components may not be CE marked. Additionally, the part numbers that TE has identified as EU ELV compliant have a maximum concentration of 0.1% by weight in homogenous materials for lead, hexavalent chromium, and mercury, and 0.01% for cadmium, or qualify for an exemption to these limits as defined in the Annexes of Directive 2000/53/EC (ELV). Regarding the REACH Regulation, the information TE provides on SVHC in articles for this part number is based on the latest European Chemicals Agency (ECHA) 'Guidance on requirements for substances in articles' posted at this URL: <https://echa.europa.eu/guidance-documents/guidance-on-reach>

Compatible Parts

| | | | |
|---|---|--|---|
|  <p>TE Part # 1-967587-3 6POS MQS TAB SEALED COD A</p> |  <p>TE Part # 967056-1 MQS BLINDSTOPFEN4MM</p> |  <p>TE Part # 967067-1 MQS SGL WIRE SEAL</p> |  <p>TE Part # 967067-2 MQS EINZELLEITDICHT</p> |
|  <p>TE Part # CAT-M8793-T273 MQS, RECEPTACLE AND TAB</p> |  <p>TE Part # 1241637-1 6pos MQS .63 header 90deg</p> |  <p>TE Part # 1241637-3 6pos MQS .63 header 90deg</p> |  <p>TE Part # 1897096-2 WIRE COVER FOR MQS SLD 6P CONN'R</p> |

Also in the Series | MQS



Automotive Connector Caps & Covers (132)



Automotive Connector EMC Shielding (2)



Automotive Connector Locks & Position Assurance(29)



Automotive Housings(489)



Automotive Seals & Cavity Plugs(26)



Automotive Terminals(96)



Insertion & Extraction Tools(42)

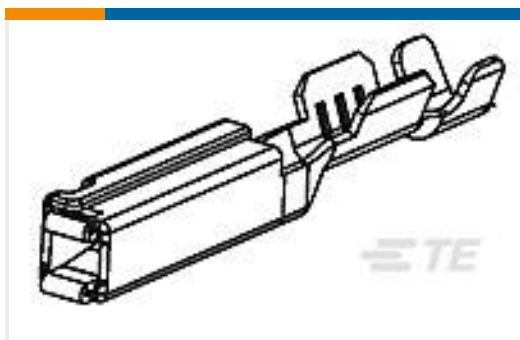


Other Automotive Connector Accessories(13)



PCB Headers & Receptacles(207)

Customers Also Bought



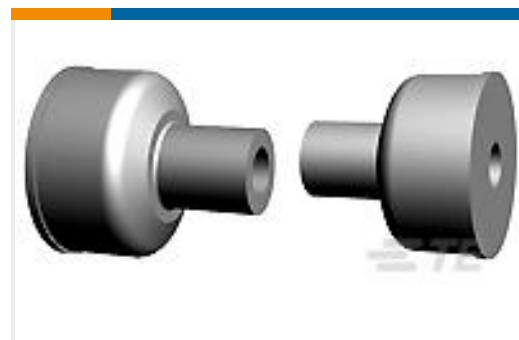
TE Part #1393364-2
V23540X7000Y 12=GET FEM TERM A



TE Part #5-965906-1
MQS, RECEPTACLE AND TAB



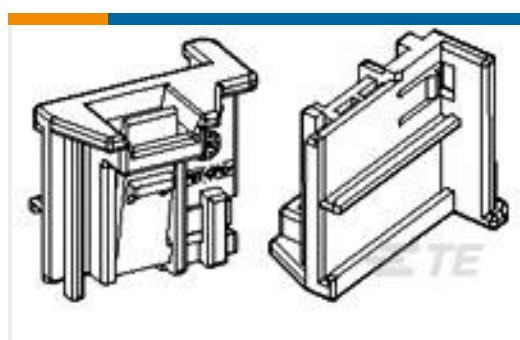
TE Part #2005154-1
025 TAB CONTACT(S)



TE Part #347713-1
2.0MM CABLE SEAL HC SILIC



TE Part #2137216-1
3P SPLASH PROOF CONNECTOR ASS'



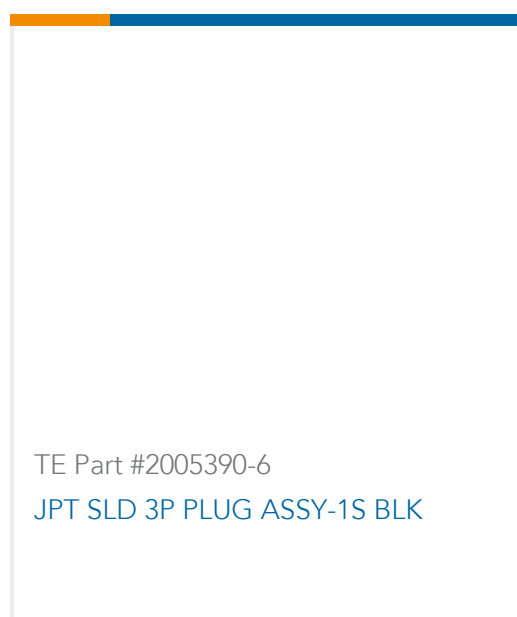
TE Part #1355081-4
MQS RETAINER



TE Part #2822354-2
070 TYPE RUBBER PLUG



TE Part #881504-5
FF 110 REC 0.30-0.56 MM2 0.25X12.3 PTPBR



Documents

Product Drawings

[6POS MQS REC SEALED COD A](#)

English

CAD Files

Customer View Model

[ENG_CVM_CVM_1-967616-1_F.2d_dxf.zip](#)

English

[3D PDF](#)

3D

Customer View Model

[ENG_CVM_CVM_1-967616-1_F.3d_igs.zip](#)

English

Customer View Model

[ENG_CVM_CVM_1-967616-1_F.3d_stp.zip](#)

English

By downloading the CAD file I accept and agree to the [Terms and Conditions](#) of use.

Datasheets & Catalog Pages

[Micro Quadlok Interconnection System \(MQS\)](#)

English

Product Specifications

[Application Specification](#)

English

[CONNEXIONS ETANCHES 2,3,4,6,8 ET 12 POSITIONS Micro Quadlock System Micro Twinleaf](#)

English

[Application Specification](#)

English

[SHROUDED CONNECTION, 6 POS.](#)

English

[Application Specification](#)

English