

1969443-2 ✓ ACTIVE

### Economy Power 2.5

TE Internal #: 1969443-2

PCB Latches, Locks & Retainers, TPA (Terminal Position Assurance),

Wire-to-Board, 2 Position, .098 in [2.5 mm] Centerline, Economy

Power 2.5

[View on TE.com >](#)



Connectors > PCB Connectors > PCB Connector Accessories > PCB Connector Hardware > PCB Latches, Locks & Retainers



Connector & Contact Retention Accessory Type: **TPA (Terminal Position Assurance)**

Connector System: **Wire-to-Board**

Number of Positions: **2**

Centerline (Pitch): **2.5 mm [ .098 in ]**

Connector & Contact Terminates To: **Wire & Cable**

## Features

### Product Type Features

Connector & Contact Retention Accessory Type	TPA (Terminal Position Assurance)
Connector System	Wire-to-Board
Connector & Contact Terminates To	Wire & Cable

### Configuration Features

Number of Positions	2
Number of Rows	1

### Body Features

Primary Product Material	Nylon GF
Primary Product Color	Black

### Housing Features

Centerline (Pitch)	2.5 mm[.098 in]
--------------------	-----------------

### Dimensions

Product Height	2.51 mm[.099 in]
----------------	------------------



### Usage Conditions

Operating Temperature Range	-55 – 105 °C[-67 – 221 °F]
-----------------------------	----------------------------

### Industry Standards

Glow Wire Rating	Standard Part - Not Glow Wire
------------------	-------------------------------

### Packaging Features

Packaging Quantity	1000
Packaging Method	Bag

### Product Compliance

[For compliance documentation, visit the product page on TE.com>](#)

EU RoHS Directive 2011/65/EU	Compliant
EU ELV Directive 2000/53/EC	Compliant
China RoHS 2 Directive MIIT Order No 32, 2016	No Restricted Materials Above Threshold
EU REACH Regulation (EC) No. 1907/2006	Current ECHA Candidate List: JUNE 2022 (224) Candidate List Declared Against: JAN 2022 (223) SVHC > Threshold: Not Yet Reviewed
Halogen Content	Not Low Halogen - contains Br or Cl > 900 ppm.
Solder Process Capability	Not applicable for solder process capability

#### Product Compliance Disclaimer

This information is provided based on reasonable inquiry of our suppliers and represents our current actual knowledge based on the information they provided. This information is subject to change. The part numbers that TE has identified as EU RoHS compliant have a maximum concentration of 0.1% by weight in homogenous materials for lead, hexavalent chromium, mercury, PBB, PBDE, DBP, BBP, DEHP, DIBP, and 0.01% for cadmium, or qualify for an exemption to these limits as defined in the Annexes of Directive 2011/65/EU (RoHS2). Finished electrical and electronic equipment products will be CE marked as required by Directive 2011/65/EU. Components may not be CE marked. Additionally, the part numbers that TE has identified as EU ELV compliant have a maximum concentration of 0.1% by weight in homogenous materials for lead, hexavalent chromium, and mercury, and 0.01% for cadmium, or qualify for an exemption to these limits as defined in the Annexes of Directive 2000/53/EC (ELV). Regarding the REACH Regulation, the information TE provides on SVHC in articles for this part number is based on the latest European Chemicals Agency (ECHA) 'Guidance on requirements for substances in articles' posted at this URL: <https://echa.europa.eu/guidance-documents/guidance-on-reach>

### Compatible Parts




TE Part # 1744423-1  
EP 2.5 RCPT CONTACT, 24-20 AWG



TE Part # 2110989-1  
EP 2.5 RCPT CONTACT, 26-22 AWG



TE Part # 1744417-2  
2 POS EP 2.5 HSG, GLOW WIRE



TE Part # 1969442-2  
EP 2.5 TPA Housing, 2 Pos



TE Part # 2299683-2  
EP2.5 HDR ASSY 2P VERT W/O BOSS, TAPING



TE Part # 1-1744525-7  
3.96 EP HDR ASSY 7P R/A, GW,omit 2&6



TE Part # 1-2299683-1  
EP2.5 HDR 2P VERT W/O BOSS, TAPING,RED



TE Part # 1-2299683-2  
EP2.5 HDR 2P VERT W/O BOSS, TAPING,RED



TE Part # 1969825-2  
EP 2.5 TPA Retainer, 2 Pos



TE Part # 1969825-3  
EP 2.5 TPA RETAINER, 3 POS



TE Part # 1969825-4  
EP 2.5 TPA RETAINER, 4 POS



TE Part # 1969825-5  
EP 2.5 TPA RETAINER, 5 POS



TE Part # 2-2299683-1  
EP2.5 HDR 2P VERT W/O BOSS, TAPING,BLUE



TE Part # 2-2299683-2  
EP2.5 HDR 2P VERT W/O BOSS, TAPING,BLUE



TE Part # 2299683-1  
EP2.5 HDR 2P VERT W/O BOSS, TAPING



TE Part # 3-2299683-1  
EP2.5 HDR 2P VERT W/O BOSS, TAPING,BLACK



TE Part # 3-2299683-2  
EP2.5 HDR 2P VERT W/O BOSS, TAPING,BLACK



TE Part # 4-2299683-1  
EP2.5 HDR 2P VERT W/O BOSS, TAPING,YELLOW



TE Part # 4-2299683-2  
EP2.5 HDR 2P VERT W/O BOSS, TAPING,YELLOW



TE Part # 5-2299683-1  
EP2.5 HDR 2P VERT W/O BOSS, TAPING,GREEN

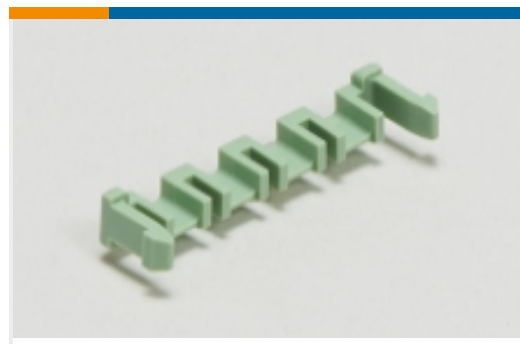
Also in the Series | Economy Power 2.5



Insertion & Extraction Tools(1)



PCB Headers & Receptacles(210)



PCB Latches, Locks & Retainers(49)



Rectangular Power Connectors(43)

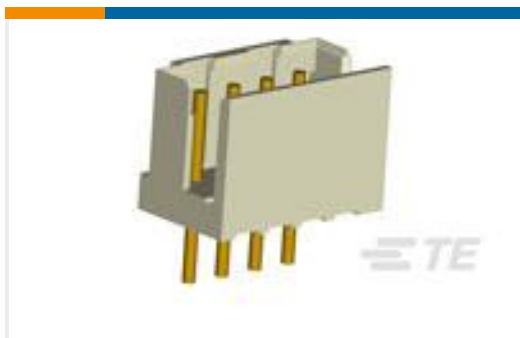


Wire-to-Board Connector Assemblies & Housings(216)

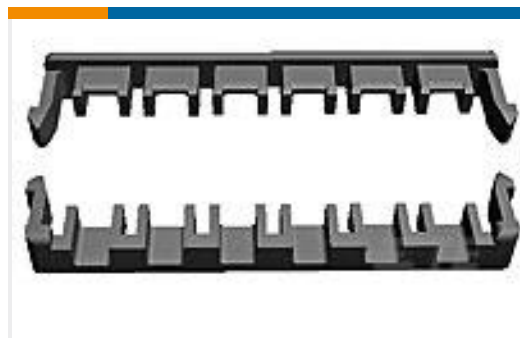


Wire-to-Board Connector Contacts(6)

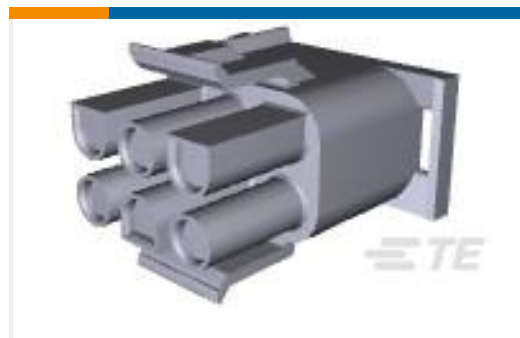
### Customers Also Bought



TE Part #1-292132-0  
CT P/HDR BOX V 10P NAT



TE Part #1376397-1  
5MM POWER KEY D/L PLATE GREEN



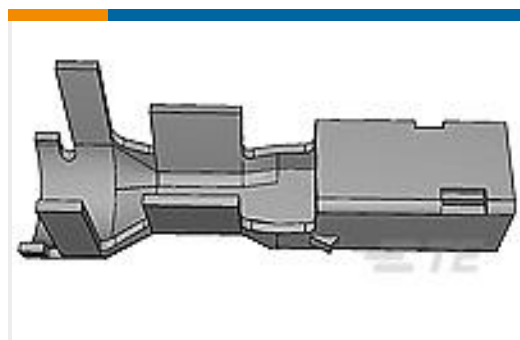
TE Part #794096-1  
06P UMNL PLUG



TE Part #1744423-1  
EP 2.5 RCPT CONTACT, 24-20 AWG



TE Part #350687-1  
UMNL SPLIT PIN PTPBR



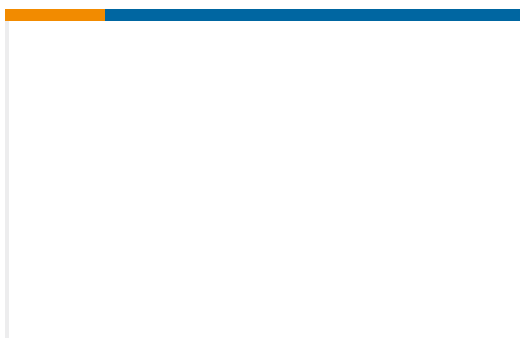
TE Part #1376347-1  
5MM POWER KEY CONN REC CONT L



TE Part #42800-1  
187 FASTON REC 20-16 AWG BR



TE Part #794276-1  
06P UMNL WIRE SEAL



TE Part #794993-1  
06P UMNL BLACK INTERFACE SEAL



TE Part #1-1721150-5  
ORWH-SH-124D1F,000

### Documents



### CAD Files

#### 3D PDF

3D

#### Customer View Model

[ENG\\_CVM\\_CVM\\_1969443-2\\_B.2d\\_dxf.zip](#)

English

#### Customer View Model

[ENG\\_CVM\\_CVM\\_1969443-2\\_B.3d\\_igs.zip](#)

English

#### Customer View Model

[ENG\\_CVM\\_CVM\\_1969443-2\\_B.3d\\_stp.zip](#)

English

By downloading the CAD file I accept and agree to the [Terms and Conditions](#) of use.

### Datasheets & Catalog Pages

[7-1773461-6\\_EP2.5\\_Connector\\_Series](#)

English

### Product Specifications

[Application Specification](#)

English

### Product Environmental Compliance

[MD\\_1969443-2\\_09062018852\\_dmtec](#)

English

[MD\\_1969443-2\\_09062018852\\_dmtec](#)

English

### Instruction Sheets

[Instruction Sheet \(U.S.\)](#)

English

### Agency Approvals

[VDE Certificate](#)

English