

2-100103-6 ✓ ACTIVE

AMP-LATCH | AMP-LATCH - NOVO

TE Internal #: 2-100103-6

TE Internal Description: 26P.A/L.STRAIN REL.

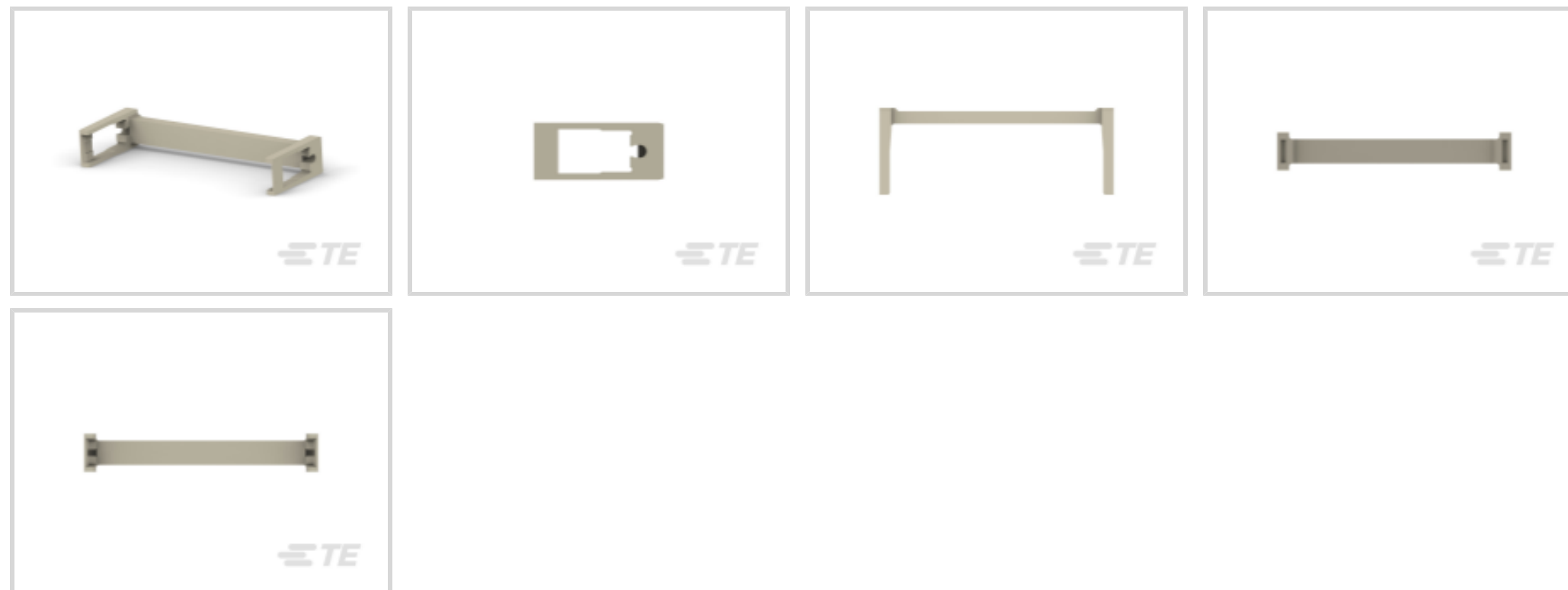
Latch Connector: Strain Relief

[View on TE.com >](#)



Connectors > PCB Connectors > Wire-to-Board Connectors > FFC, FPC & Ribbon Connectors > Ribbon Connector Accessories >

Latch Connector: Strain Relief



Flat Flexible Cable Accessory Type: **Strain Relief**

Number of Positions: **26**

[All Latch Connector: Strain Relief \(10\)](#)

Features

Product Type Features

| | |
|------------------------------------|---------------|
| Flat Flexible Cable Accessory Type | Strain Relief |
|------------------------------------|---------------|

Configuration Features

| | |
|---------------------|----|
| Number of Positions | 26 |
|---------------------|----|

Body Features

| | |
|--------------------------|--------------------|
| Primary Product Material | Glass-Filled Nylon |
|--------------------------|--------------------|

| | |
|-----------------------|------|
| Primary Product Color | Gray |
|-----------------------|------|

Dimensions

| | |
|----------------|----------|
| Product Length | 37.62 mm |
|----------------|----------|

Packaging Features

| | |
|--------------------|-----|
| Packaging Quantity | 250 |
|--------------------|-----|

| | |
|------------------|-----------|
| Packaging Method | Bag & Box |
|------------------|-----------|

Other

| | |
|---------|----------------------|
| Comment | Receptacle Connector |
|---------|----------------------|

Product Compliance

For compliance documentation, visit the product page on [TE.com](#)>

| | |
|---|--|
| EU RoHS Directive 2011/65/EU | Compliant |
| EU ELV Directive 2000/53/EC | Compliant |
| China RoHS 2 Directive MIIT Order No 32, 2016 | No Restricted Materials Above Threshold |
| EU REACH Regulation (EC) No. 1907/2006 | Current ECHA Candidate List: JUNE 2022 (224) Candidate List Declared Against: JAN 2022 (223) SVHC > Threshold: Not Yet Reviewed |
| Halogen Content | Not Low Halogen - contains Br or Cl > 900 ppm. |
| Solder Process Capability | Not applicable for solder process capability |

Product Compliance Disclaimer

This information is provided based on reasonable inquiry of our suppliers and represents our current actual knowledge based on the information they provided. This information is subject to change. The part numbers that TE has identified as EU RoHS compliant have a maximum concentration of 0.1% by weight in homogenous materials for lead, hexavalent chromium, mercury, PBB, PBDE, DBP, BBP, DEHP, DIBP, and 0.01% for cadmium, or qualify for an exemption to these limits as defined in the Annexes of Directive 2011/65/EU (RoHS2). Finished electrical and electronic equipment products will be CE marked as required by Directive 2011/65/EU. Components may not be CE marked. Additionally, the part numbers that TE has identified as EU ELV compliant have a maximum concentration of 0.1% by weight in homogenous materials for lead, hexavalent chromium, and mercury, and 0.01% for cadmium, or qualify for an exemption to these limits as defined in the Annexes of Directive 2000/53/EC (ELV). Regarding the REACH Regulation, the information TE provides on SVHC in articles for this part number is based on the latest European Chemicals Agency (ECHA) 'Guidance on requirements for substances in articles' posted at this URL: <https://echa.europa.eu/guidance-documents/guidance-on-reach>

Compatible Parts



Also in the Series | [AMP-LATCH - NOVO](#)



Ribbon Cable Connectors(46)



Ribbon Connector Accessories(10)

Customers Also Bought



TE Part #1-100103-4
14P.A/L.STRAIN REL.



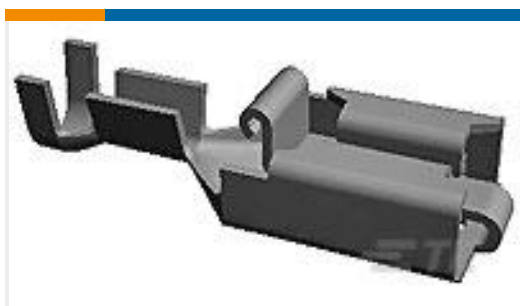
TE Part #1-1393203-1
V23148-A0007-A101



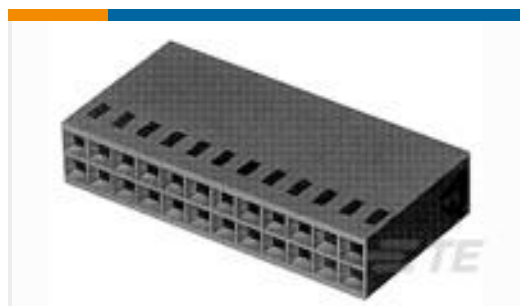
TE Part #1-826658-0
2X10 POS AMPMODU II PIN HEADER



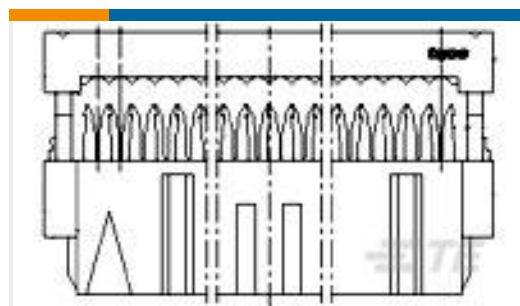
TE Part #5103309-5
A/L LOW PRO HDR 20P VERT BLACK



TE Part #927852-7
PL 250 REC TERMINAL 20-17 AWG
PTPPB



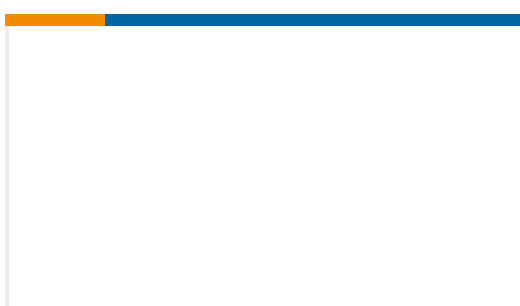
TE Part #925367-5
MOD 4 REC.HSG 2X05P



TE Part #2-215915-6
AMP-LATCH 15.2 HIGH TAPE



TE Part #3-1393586-9
V23535A2210A260=BKMOD421
HEADE



TE Part #1768021-9
IMC02

Documents

Product Drawings
[26P.A/L.STRAIN REL.](#)

English

CAD Files

[3D PDF](#)

[3D](#)

Customer View Model

[ENG_CVM_CVM_2-100103-6_D.2d_dxf.zip](#)



English

Customer View Model

[ENG_CVM_CVM_2-100103-6_D.3d_igs.zip](#)

English

Customer View Model

[ENG_CVM_CVM_2-100103-6_D.3d_stp.zip](#)

English

By downloading the CAD file I accept and agree to the [Terms and Conditions](#) of use.

Product Environmental Compliance

[MD_2-100103-6_032420151447_dmtec](#)

English

[MD_2-100103-6_032420151447_dmtec](#)

English