

2098164-4 ✓ ACTIVE

TE Internal #: 2098164-4

Hard Wired Box Accessories, Cover, IP67, UL 94HB, 3G, Sealable,
-40 – 80 °C [-40 – 176 °F]

[View on TE.com >](#)



Connectors > Automotive Connectors > Power Distribution Boxes > Hard Wired Box Accessories



Hardware Accessory Type: **Cover**

IP Rating: **IP67**

UL Flammability Rating: **UL 94HB**

Vibration Class Level: **3G**

Sealable: **Yes**

Features

Product Type Features

Hardware Accessory Type	Cover
Sealable	Yes

Usage Conditions

Operating Temperature Range	-40 – 80 °C[-40 – 176 °F]
-----------------------------	---------------------------

Operation/Application

Vibration Class Level	3G
-----------------------	----

Industry Standards

IP Rating	IP67
UL Flammability Rating	UL 94HB

Product Compliance

[For compliance documentation, visit the product page on TE.com>](#)

EU RoHS Directive 2011/65/EU	Compliant
EU ELV Directive 2000/53/EC	Compliant
China RoHS 2 Directive MIIT Order No 32, 2016	No Restricted Materials Above Threshold



EU REACH Regulation (EC) No. 1907/2006

Current ECHA Candidate List: JUNE 2022 (224)

Candidate List Declared Against: JAN 2022 (223)

SVHC > Threshold:
Not Yet Reviewed

Halogen Content

Low Halogen - Br, Cl, F, I < 900 ppm per homogenous material. Also BFR/CFR/PVC Free

Solder Process Capability

Not applicable for solder process capability

Product Compliance Disclaimer

This information is provided based on reasonable inquiry of our suppliers and represents our current actual knowledge based on the information they provided. This information is subject to change. The part numbers that TE has identified as EU RoHS compliant have a maximum concentration of 0.1% by weight in homogenous materials for lead, hexavalent chromium, mercury, PBB, PBDE, DBP, BBP, DEHP, DIBP, and 0.01% for cadmium, or qualify for an exemption to these limits as defined in the Annexes of Directive 2011/65/EU (RoHS2). Finished electrical and electronic equipment products will be CE marked as required by Directive 2011/65/EU. Components may not be CE marked. Additionally, the part numbers that TE has identified as EU ELV compliant have a maximum concentration of 0.1% by weight in homogenous materials for lead, hexavalent chromium, and mercury, and 0.01% for cadmium, or qualify for an exemption to these limits as defined in the Annexes of Directive 2000/53/EC (ELV). Regarding the REACH Regulation, the information TE provides on SVHC in articles for this part number is based on the latest European Chemicals Agency (ECHA) 'Guidance on requirements for substances in articles' posted at this URL: <https://echa.europa.eu/guidance-documents/guidance-on-reach>


Compatible Parts



TE Part # 828922-1
2,5MM CAVITY PLUG FOR 5,4MM DI



TE Part # 828905-1
SINGLE-WIRE-SEAL(5MM HOLE)



TE Part # CAT-AM7-FRB69
Sealed Fuse and Relay Boxes



TE Part # 1-968857-1
AMP MCP 2.8, CONTACT SWS



TE Part # 1443998-1
FUSE PULLER



TE Part # 2304643-1
49POS, HYBRID, REC HSG ASSY, SLD



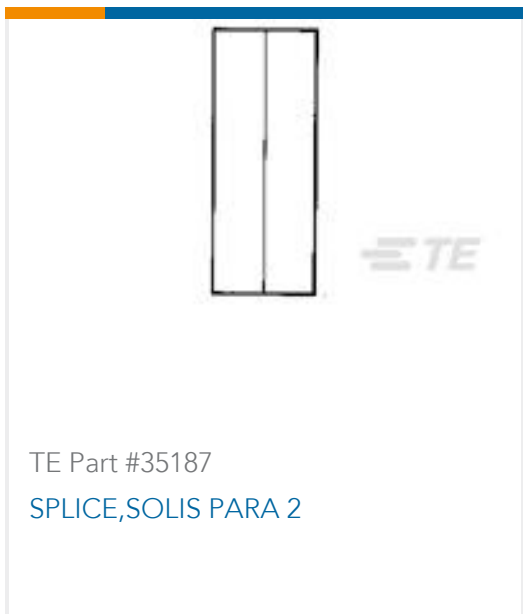
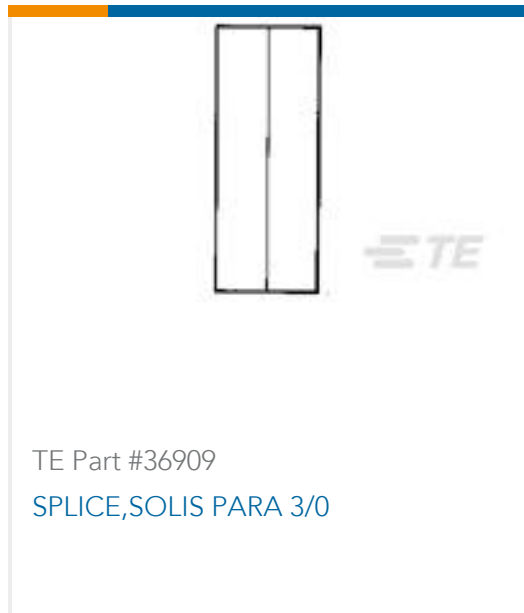
TE Part # 2304643-2
38POS, HYBRID, REC HSG ASSY, SLD



TE Part # 2304643-3
27POS, HYBRID, REC HSG ASSY, SLD



Customers Also Bought



Documents

Product Drawings

Cover, 60 Pos, No Fuse Graphic or Holder

English

CAD Files

Customer View Model

[ENG_CVM_CVM_2098164-4_A.2d_dxf.zip](#)

English

[3D PDF](#)



3D

Customer View Model

[ENG_CVM_CVM_2098164-4_A.3d_igs.zip](#)

English

Customer View Model

[ENG_CVM_CVM_2098164-4_A.3d_stp.zip](#)

English

By downloading the CAD file I accept and agree to the [Terms and Conditions](#) of use.

Datasheets & Catalog Pages

[ICT Fuse and Relay Enclosures](#)

English

Product Specifications

[Product Specification](#)

English