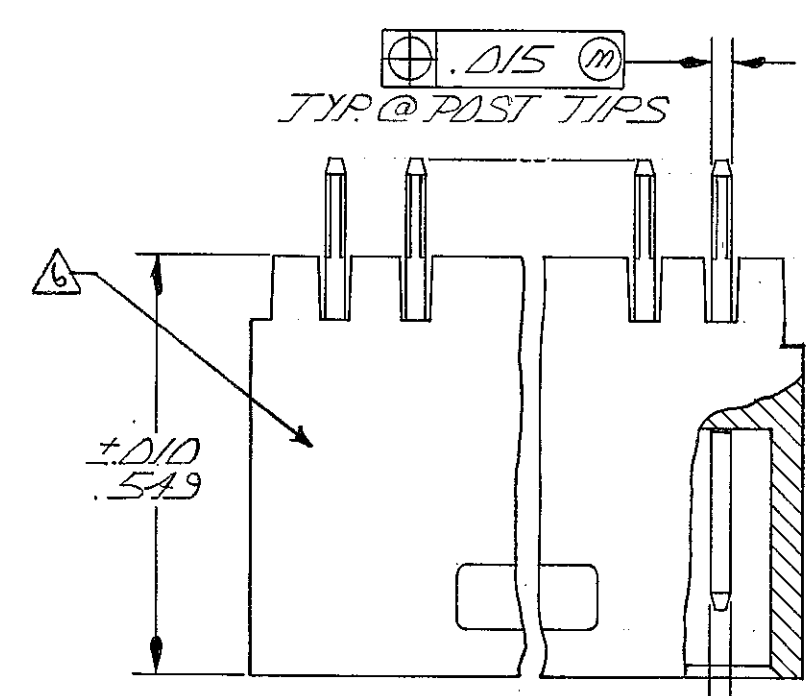
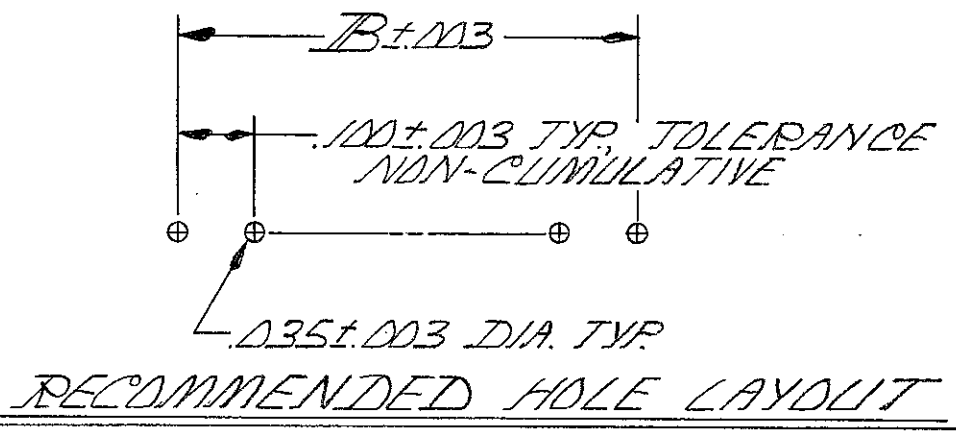
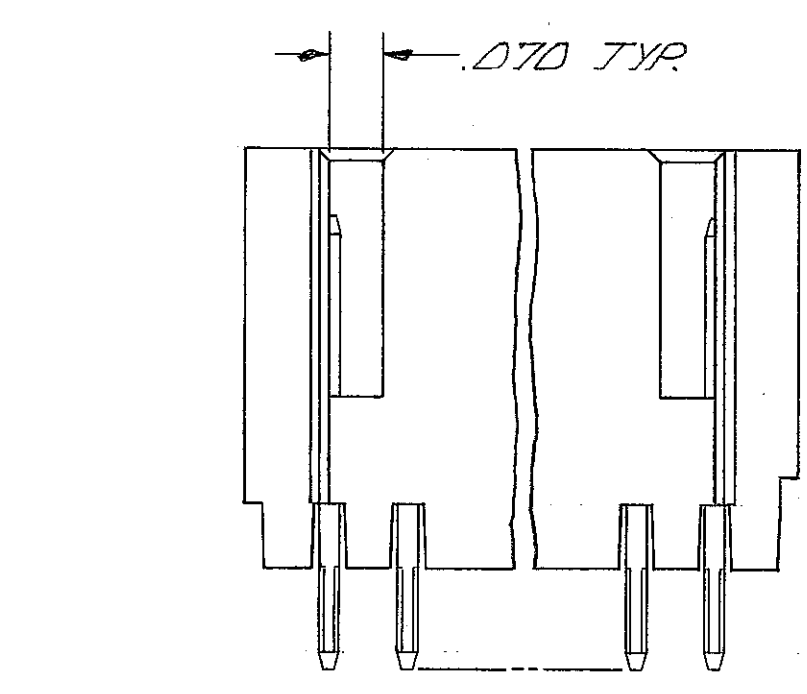
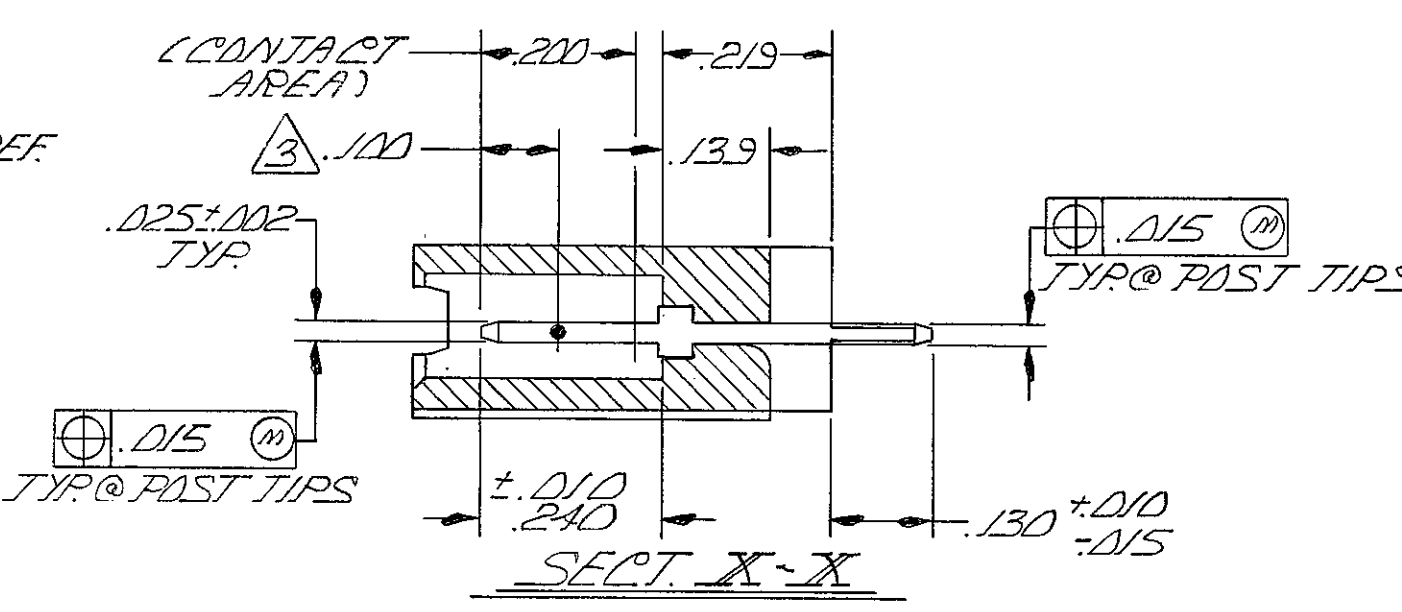
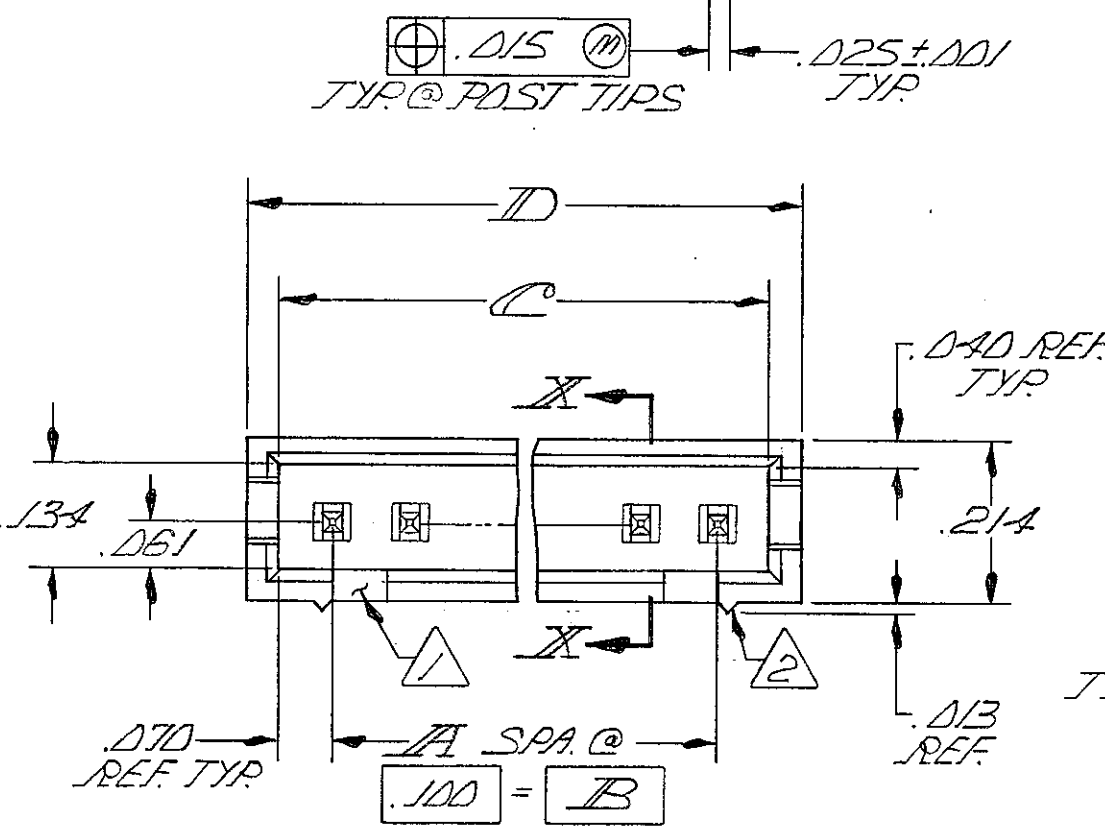


THIS DRAWING IS UNPUBLISHED. RELEASED FOR PUBLICATION
 © COPYRIGHT 19 BY AMP INCORPORATED, HARRISBURG, PA. ALL INTERNATIONAL RIGHTS RESERVED. AMP PRODUCTS MAY BE COVERED BY U.S. AND FOREIGN PATENTS AND/OR PATENTS PENDING.

		REVISIONS				
P	F	ZONE	LTR	DESCRIPTION	DATE	APPROVED
		D		REL. WAS 518A-559		
		A		REV/ECN AR 2208	4-11-89	EIH
		B		REV LOC & DIST AD-4171	11-27-89	BF
		C		ECN AD 4707	8-27-90	QLG
		D		REV PER AD-5084	2-1-91	RF
		E		REV PER AD6098	8-21-92	RF
		F		OBS PER 0010-0981-95	9-93	JA
		G		REV PER 0010-1515-93	12-2-93	JK
		H		REV PER 0010-0943-94	8-15-94	JK
		J		EC. 0010-0051-95	3-10-95	JK
		K		REV PER 0310-0160-96	12-16-96	SAS
		L		REV PER 0310-0095-97	3-4-97	SAS
		M		REV PER 0310-0426-97	3/98	DKS/LLR



- 1 FOR 3 POS ONLY, ONE SLOT (.215 WIDE).
- 2 STANDOFFS: 1UP TO 9 POS. - (2) REQ'D. ON OUTSIDE ENDS OF HOUSING. 1D TO 19 POS. - (3) REQ'D. - TWO ON OUTSIDE ENDS & ONE CENTERED ON HOUSING. 19 POS. & LARGER - (4) REQ'D. TWO ON OUTSIDE ENDS OF HOUSING & TWO EVENLY SPACED WITHIN REMAINING LENGTH.
- 3 POINT OF MEASUREMENT FOR PLATING THICKNESS.
- 4 .000030 GOLD ON CONTACT AREA, .000100-.000200 MATTE TIN-LEAD ON SOLDER TAIL, ALL OVER .000050 NICKEL.
- 5 OBSOLETE PART NUMBER
- 6 RECESSED DATE CODE



3.720	3.640	3.500	35	36	3-103414-45
3.620	3.540	3.400	34	35	3-6
3.520	3.440	3.300	33	34	3-5
3.420	3.340	3.200	32	33	3-5
3.320	3.240	3.100	31	32	3-5
3.220	3.140	3.000	30	31	2-5
3.120	3.040	2.900	29	30	2-5
3.020	2.940	2.800	28	29	2-5
2.920	2.840	2.700	27	28	2-5
2.820	2.740	2.600	26	27	2-5
2.720	2.640	2.500	25	26	2-5
2.620	2.540	2.400	24	25	2
2.520	2.440	2.300	23	24	2
2.420	2.340	2.200	22	23	2
2.320	2.240	2.100	21	22	2
2.220	2.140	2.000	20	21	1
2.120	2.040	1.900	19	20	1
2.020	1.940	1.800	18	19	1
1.920	1.840	1.700	17	18	1
1.820	1.740	1.600	16	17	1
1.720	1.640	1.500	15	16	1
1.620	1.540	1.400	14	15	1
1.520	1.440	1.300	13	14	1
1.420	1.340	1.200	12	13	1
1.320	1.240	1.100	11	12	1
1.220	1.140	1.000	10	11	1
1.120	1.040	.900	9	10	1
1.020	.940	.800	8	9	1
.920	.840	.700	7	8	1
.820	.740	.600	6	7	1
.720	.640	.500	5	6	1
.620	.540	.400	4	5	1
.520	.440	.300	3	4	1
.420	.340	.200	2	3	103414-1
D	C	B	A	NO. OF POS.	PART NO

UNLESS OTHERWISE SPECIFIED DIMENSIONS ARE IN INCHES. TOLERANCES ON: DECIMALS $\pm .005$ ANGLES \pm	CONTRACT NO	AMP INCORPORATED Harrisburg, Pa. 17105
	DR	
MATERIAL HOUSING - FLAME RETARDANT THERMOPLASTIC COLOR - BLACK PASTS - COPPER ALLOY	CHK	NAME ASSEMBLY, MOD II, SINGLE ROW, 100E, (4) SIDED SHROUD
	APPD	
FINISH PASTS - 3	DSGN APPD	SIZE C
	OTHER APPD	FSCM NO 00779
		DRAWING NO 103414
		SCALE 4:1
		SHEET 1 OF 1