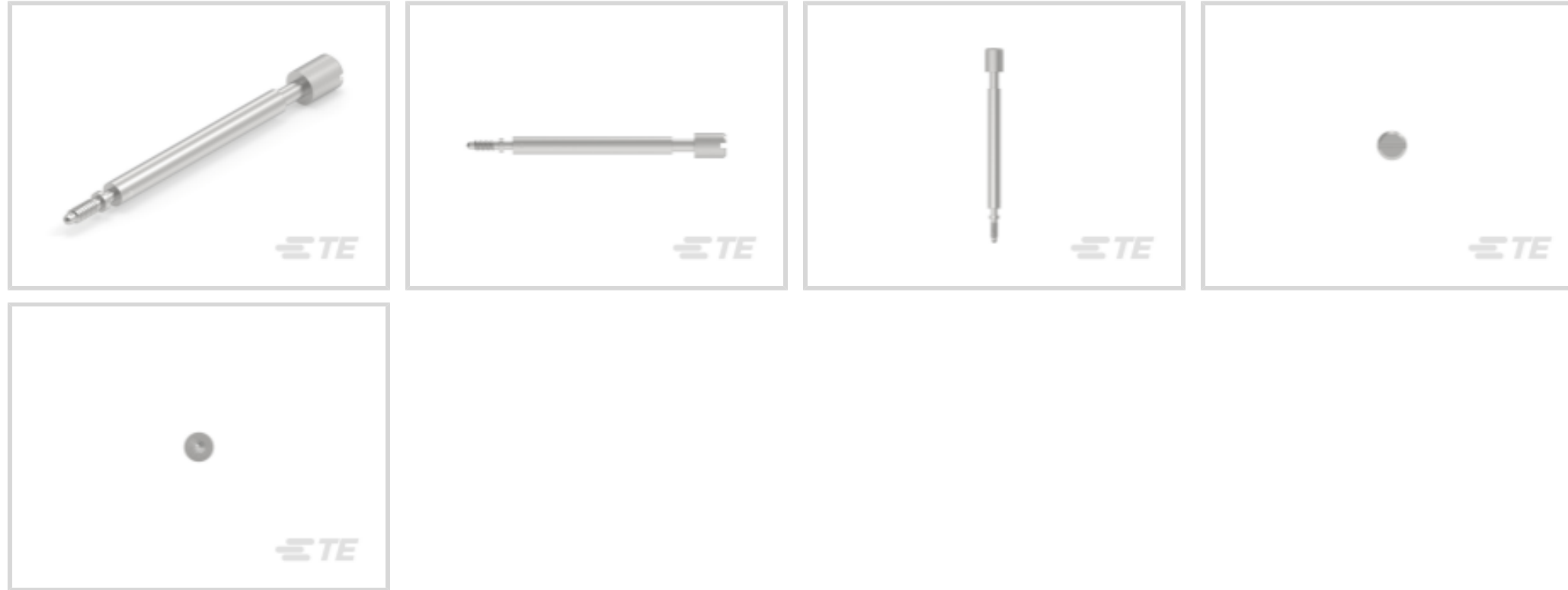




Connectors > Rectangular Connectors > Rectangular Connector Accessories > Rectangular Connector Hardware



Hardware Type: **Jackscrew Kit**
 Jackscrew Type: **Turnable**
 Jackscrew Style: **Male**
 Connector System: **Wire-to-Wire**
 Number of Positions: **12, 28, 42, 50, 75, 104**

Features

Product Type Features

Strain Relief	Without
Product Type	Hardware
Connector System	Wire-to-Wire
Sealable	No
Connector & Contact Terminates To	Wire & Cable

Configuration Features

Number of Positions	12, 28, 42, 50, 75, 104
---------------------	-------------------------

Body Features

Material	Stainless Steel, Zinc Alloy
Thread Lead Type	Double, Single

Mechanical Attachment

Jackscrew Material	Zinc Alloy
Jackscrew Finish	Clear Chromate
Mounting Hardware	Jackscrew Tip Male and Spirol Pin



Screw & Hole Thread Size	6-32 [M3.5 x .6]
Hardware Type	Jackscrew Kit
Jackscrew Type	Turnable
Jackscrew Style	Male
Connector Mounting Type	Cable Mount (Free-Hanging)

Dimensions

Height	7.92 mm[.312 in]
Length	83.44 mm[3.285 in]
Width	7.92 mm[.312 in]

Usage Conditions

Operating Temperature Range	-55 – 150 °C[-67 – 302 °F]
-----------------------------	----------------------------

Operation/Application

For Use With	28 Position High Voltage Connectors, 42-Position Mixed Connectors, 50, 75 and 104-Position Standard Connectors, Standard Connectors
Circuit Application	Power & Signal

Packaging Features

Packaging Quantity	1
Packaging Method	Bag

Other

Comment	Two required., Use turnable jackscrews on mating housings when mating to grounding block.
---------	---

Product Compliance

[For compliance documentation, visit the product page on TE.com>](#)

EU RoHS Directive 2011/65/EU	Not Compliant
EU ELV Directive 2000/53/EC	Not Compliant
China RoHS 2 Directive MIIT Order No 32, 2016	Restricted Materials Above Threshold
EU REACH Regulation (EC) No. 1907/2006	Current ECHA Candidate List: JUNE 2022 (224) Candidate List Declared Against: JAN 2022 (223) SVHC > Threshold: Not Yet Reviewed



Halogen Content

Low Halogen - Br, Cl, F, I < 900 ppm per homogenous material. Also BFR/CFR/PVC Free

Solder Process Capability

Not applicable for solder process capability

Product Compliance Disclaimer

This information is provided based on reasonable inquiry of our suppliers and represents our current actual knowledge based on the information they provided. This information is subject to change. The part numbers that TE has identified as EU RoHS compliant have a maximum concentration of 0.1% by weight in homogenous materials for lead, hexavalent chromium, mercury, PBB, PBDE, DBP, BBP, DEHP, DIBP, and 0.01% for cadmium, or qualify for an exemption to these limits as defined in the Annexes of Directive 2011/65/EU (RoHS2). Finished electrical and electronic equipment products will be CE marked as required by Directive 2011/65/EU. Components may not be CE marked. Additionally, the part numbers that TE has identified as EU ELV compliant have a maximum concentration of 0.1% by weight in homogenous materials for lead, hexavalent chromium, and mercury, and 0.01% for cadmium, or qualify for an exemption to these limits as defined in the Annexes of Directive 2000/53/EC (ELV). Regarding the REACH Regulation, the information TE provides on SVHC in articles for this part number is based on the latest European Chemicals Agency (ECHA) 'Guidance on requirements for substances in articles' posted at this URL: <https://echa.europa.eu/guidance-documents/guidance-on-reach>

Compatible Parts



TE Part # 207235-1
UNASSM JS KIT, M SERIES



TE Part # 7-170994-1
JACK SCREW MALE

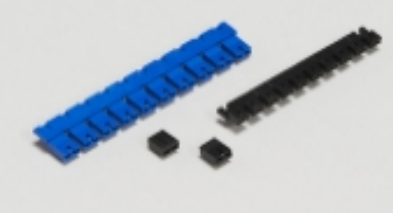


TE Part # 7-170994-2
JACK SCREW MALE



TE Part # 7-170994-3
M SERIES JACK SCREW ASSY

Also in the Series | AMP M Series




Board-to-Board Jumpers & Shunts(7)



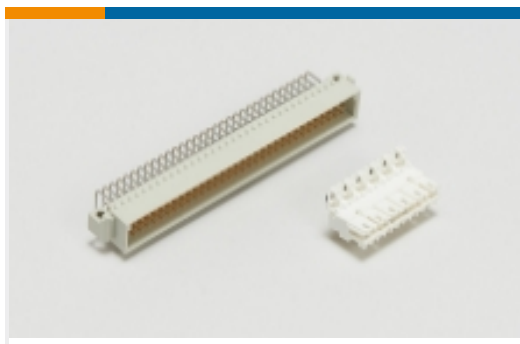
Rack & Panel Connectors(1)



Rectangular Connector Hardware(52)



Rectangular Power Connectors(69)



Standard Edge Connectors(2)

Customers Also Bought



TE Part #201611-1
CONTACT PIN ASSY.



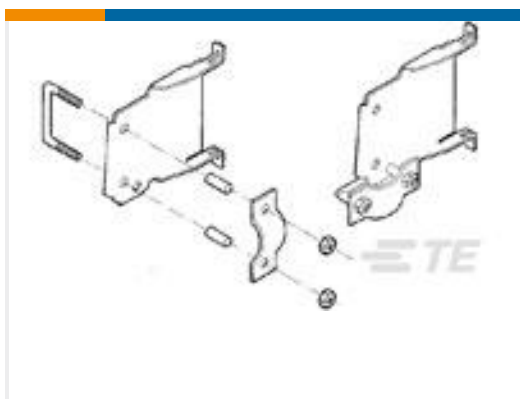
TE Part #66104-8
TYPE III CONTACTS STRIP



TE Part #1-201046-2
SERIES "M" MIN RECT GUIDE PIN



TE Part #201345-1
104 PL. MALE BLOCK-PHEN.



TE Part #201848-5
STRAIN RELIEF CLAMP UNASSEM.



TE Part #201369-4
75 POS. PIN HOOD



TE Part #201092-4
SER. "M" JACKSCREW STUD KIT



TE Part #202713-2
SERIES M 75 POS, 2 PC. SHIELD



TE Part #202711-1
SERIES "M" 75 POS, SHIELD ASSM

Documents

Product Drawings

[UNASSM JS KIT,M SERIES](#)

English

CAD Files

[Customer View Model](#)

[ENG_CVM_CVM_207234-1_D.3d_stp.zip](#)

English

[Customer View Model](#)



[ENG_CVM_CVM_207234-1_D.2d_dxf.zip](#)

English

Customer View Model

[ENG_CVM_CVM_207234-1_D.3d_igs.zip](#)

English

3D PDF

3D

By downloading the CAD file I accept and agree to the [Terms and Conditions](#) of use.

Datasheets & Catalog Pages

[M_SERIES_PIN_AND_SOCKET_CONNECTORS](#)

English