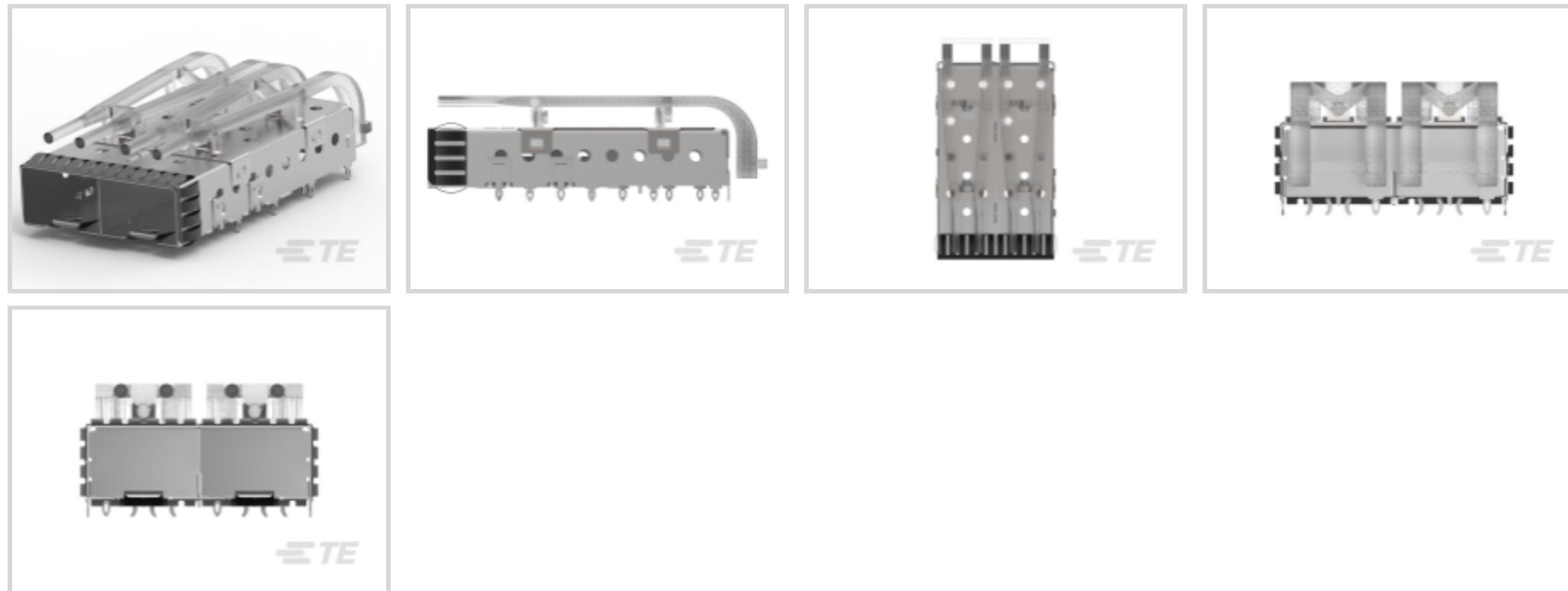




TE Internal #: 2007262-1  
 SFP, SFP+ & zSFP+, Cage Assembly, Data Rate (Max) 16 Gb/s,  
 External Springs, SFP+, Included Lightpipe, 1 x 2, Dual Round,  
 Standard, Standard

[View on TE.com >](#)

Connectors > Pluggable IO Connectors & Cages > SFP, SFP+ & zSFP+



Pluggable I/O Product Type: **Cage Assembly**  
 Data Rate (Max): **16 Gb/s**  
 EMI Containment Feature Type: **External Springs**  
 Pluggable I/O Applications: **SFP+**  
 Included Lightpipe: **Yes**

## Features

### Product Type Features

Form Factor	SFP+
Cage Type	Ganged
Pluggable I/O Product Type	Cage Assembly
Integrated Lightpipes	No
Connector System	Cable-to-Board
Sealable	No
Connector & Contact Terminates To	Printed Circuit Board

### Configuration Features

Port Matrix Configuration	1 x 2
Lightpipe Configuration	Dual Round
Lightpipe Style	Standard
Lightpipe Profile	Standard
Number of Ports	2

### Electrical Characteristics

--	--



Data Rate (Max)	16 Gb/s
-----------------	---------

### Termination Features

Termination Method to Printed Circuit Board	Through Hole - Press-Fit
---	--------------------------

### Mechanical Attachment

PCB Mounting Style	Through Hole - Press-Fit
--------------------	--------------------------

Connector Mounting Type	Board Mount
-------------------------	-------------

### Housing Features

Cage Material	Nickel Silver
---------------	---------------

### Dimensions

Tail Length	2.05 mm[.081 in]
-------------	------------------

PCB Thickness (Recommended)	2.25 mm[.089 in]
-----------------------------	------------------

### Usage Conditions

Operating Temperature Range	-55 – 105 °C[-67 – 221 °F]
-----------------------------	----------------------------

### Operation/Application

Heat Sink Compatible	No
----------------------	----

For Use With Pluggable I/O Products	SFP+ SMT Connector
-------------------------------------	--------------------

Pluggable I/O Applications	SFP+
----------------------------	------

Circuit Application	Signal
---------------------	--------

### Industry Standards

UL Flammability Rating	UL 94V-0
------------------------	----------

### Packaging Features

Packaging Method	Box & Tray, Package
------------------	---------------------

### Other

EMI Containment Feature Type	External Springs
------------------------------	------------------

Included Lightpipe	Yes
--------------------	-----

### Product Compliance

[For compliance documentation, visit the product page on TE.com>](#)

EU RoHS Directive 2011/65/EU	Compliant
------------------------------	-----------

EU ELV Directive 2000/53/EC	Compliant
-----------------------------	-----------

China RoHS 2 Directive MIIT Order No 32, 2016	No Restricted Materials Above Threshold
---	---



EU REACH Regulation (EC) No. 1907/2006

Current ECHA Candidate List: JUNE 2022 (224)

Candidate List Declared Against: JAN 2022 (223)

SVHC > Threshold:  
Not Yet Reviewed

Halogen Content

Not Low Halogen - contains Br or Cl > 900 ppm.

Solder Process Capability

Not applicable for solder process capability

Product Compliance Disclaimer

This information is provided based on reasonable inquiry of our suppliers and represents our current actual knowledge based on the information they provided. This information is subject to change. The part numbers that TE has identified as EU RoHS compliant have a maximum concentration of 0.1% by weight in homogenous materials for lead, hexavalent chromium, mercury, PBB, PBDE, DBP, BBP, DEHP, DIBP, and 0.01% for cadmium, or qualify for an exemption to these limits as defined in the Annexes of Directive 2011/65/EU (RoHS2). Finished electrical and electronic equipment products will be CE marked as required by Directive 2011/65/EU. Components may not be CE marked. Additionally, the part numbers that TE has identified as EU ELV compliant have a maximum concentration of 0.1% by weight in homogenous materials for lead, hexavalent chromium, and mercury, and 0.01% for cadmium, or qualify for an exemption to these limits as defined in the Annexes of Directive 2000/53/EC (ELV). Regarding the REACH Regulation, the information TE provides on SVHC in articles for this part number is based on the latest European Chemicals Agency (ECHA) 'Guidance on requirements for substances in articles' posted at this URL: <https://echa.europa.eu/guidance-documents/guidance-on-reach>

## Compatible Parts



TE Part # CAT-SF59-C76264  
SFP Connectors



TE Part # CAT-C11-H50626  
SFP+ to SFP+ I/O Cable Assembly: 30 AWG



TE Part # CAT-C11-N490333  
QSFP28-Four SFP+ Cable Assembly: 30 AWG



TE Part # CAT-C11-N490325  
QSFP28-Four SFP+ Cable Assembly: 26 AWG



TE Part # 2334985-2  
SFP28 DIRECT ATTACH CA, 1M, 32AWG



TE Part # CAT-C11-N490114  
SFP28 to SFP28 Cable Assembly: 30 AWG



TE Part # CAT-C11-N49011  
SFP28 to SFP28 Cable Assembly: 26 AWG



TE Part # CAT-Q17-N49011  
QSFP56-Four SFP56 Cable Assembly: 30 AWG




TE Part # CAT-Q17-N490333  
QSF56-Four SFP56 Cable Assembly: 26 AWG



TE Part # 4-2821222-5  
SFP56 DIRECT ATTACH CA, 2M, 30AWG



TE Part # 4-2821224-5  
SFP56 DIRECT ATTACH CA, 3M, 26AWG



TE Part # 4-2334985-2  
SFP56 DIRECT ATTACH CA, 1M, 32AWG



TE Part # 1367147-1  
SFP COVER, UNPLATED



TE Part # 1367147-3  
SFP COVER, UNPL, NO LOGO



TE Part # 1761394-1  
DUST COVER, SFP, GANGED & STACKED



TE Part # CAT-SF59-AC229  
SFP accessories



TE Part # CAT-C11-H5  
SFP+ to SFP+ I/O Cable Assembly: 24 AWG



TE Part # CAT-C11-H506  
SFP+ to SFP+ I/O Cable Assembly: 26 AWG



TE Part # CAT-C11-H5062  
SFP+ to SFP+ I/O Cable Assembly: 28 AWG



TE Part # 2018002-3  
SEATING TOOL, 1X2 KIT

### Customers Also Bought



TE Part #3-5177986-4  
0.8FH,P08H.5,100,08/Sn,TR,SC



TE Part #5084616-4  
0.8FH,R13H.5,100,08/Sn,TR,SC



TE Part #87224-6  
06 MODII HDR SRST UNSHRD .100



TE Part #5-103735-6  
07 MTE HDR SRST LATCH .100CL



TE Part #9-1676481-5  
CPF 0603 75K 0.1% 25PPM 1K RL



TE Part #1-5177986-1  
0.8FH,P06H.5,040,08/Sn,TR,SC

### Documents



### Product Drawings

[SFP+ 1x2 Cage Assembly, Light](#)

English

---

### CAD Files

Customer View Model

[ENG\\_CVM\\_CVM\\_2007262-1\\_C.2d\\_dxf.zip](#)

English

**3D PDF**

3D

Customer View Model

[ENG\\_CVM\\_CVM\\_2007262-1\\_C.3d\\_igs.zip](#)

English

Customer View Model

[ENG\\_CVM\\_CVM\\_2007262-1\\_C.3d\\_stp.zip](#)

English

By downloading the CAD file I accept and agree to the [Terms and Conditions](#) of use.

---

### Datasheets & Catalog Pages

[1773408-1 Pluggable Input/Output Solutions catalog - SFP+ section](#)

English

[SFP+ Product Family: Cages, Connectors, Cable Assemblies 4-1773449-5](#)

English

[4-1773455-3 - Quick Reference Guide SFP+ Solutions](#)

English

---

### Product Specifications

[Application Specification](#)

English

---

### Product Environmental Compliance

[MD\\_2007262-1\\_02202017356\\_dmtec](#)

English

[MD\\_2007262-1\\_02202017356\\_dmtec](#)

English