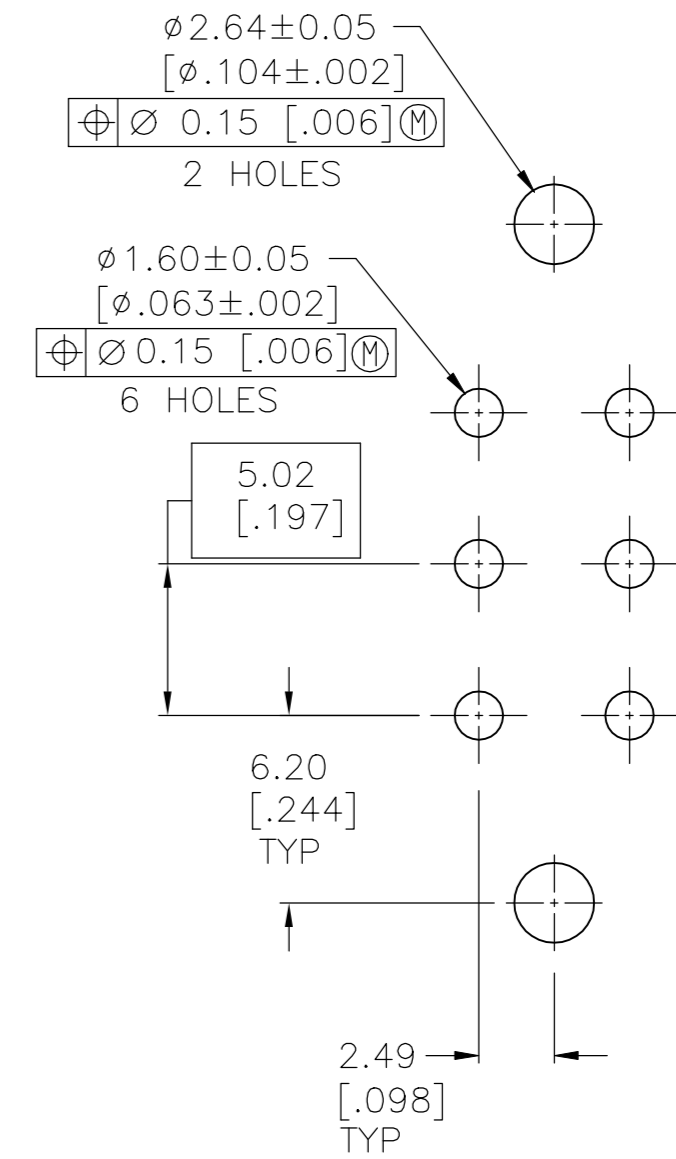
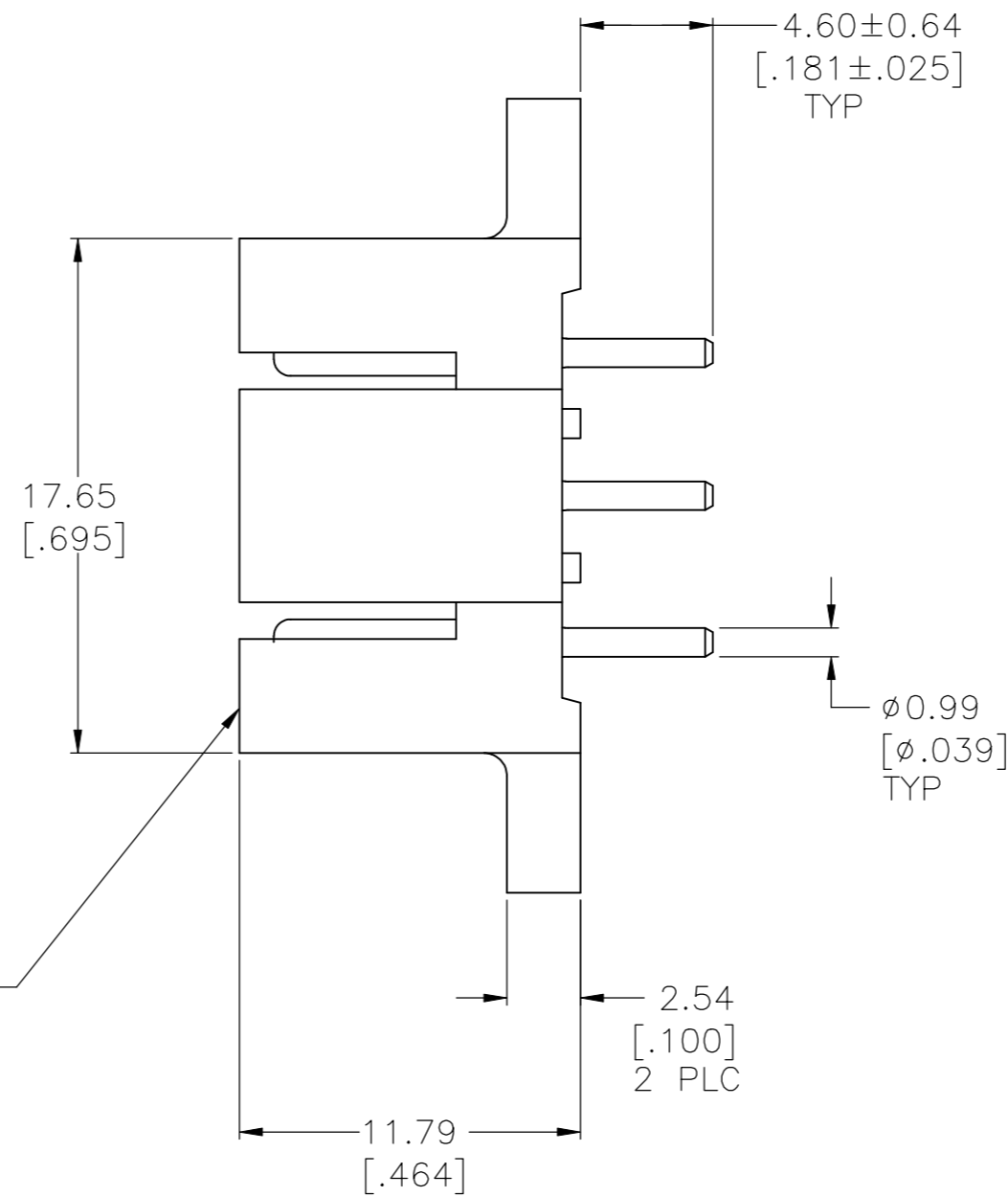
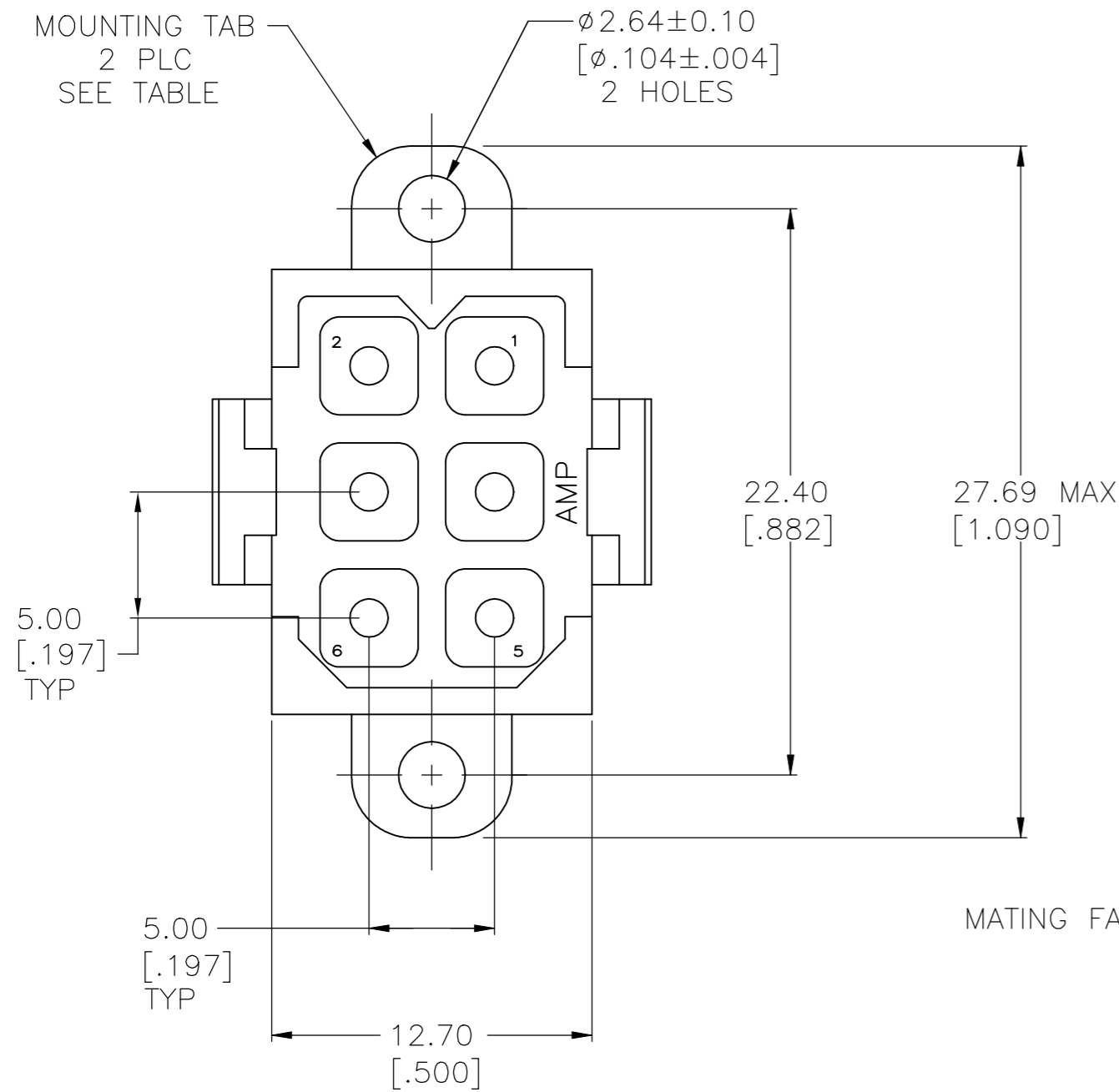
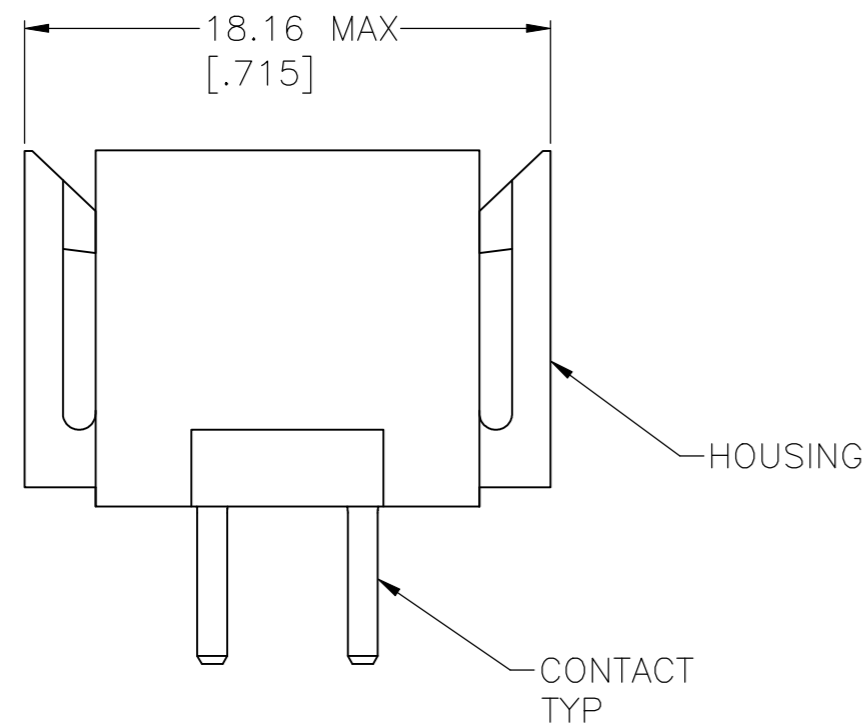


THIS DRAWING IS UNPUBLISHED. RELEASED FOR PUBLICATION
 © COPYRIGHT - By - ALL RIGHTS RESERVED.

REVISIONS					
P	LTR	DESCRIPTION	DATE	DWN	APVD
W		REVISED PER ECO-18-000441	24JAN2018	RS	MZ
Y		REVISED PER ECO-18-012313	06AUG2018	RS	MZ



RECOMMENDED PC BOARD LAYOUT



- ① NYLON, UL 94V-0 RATED, RED.
- ② BRASS PER ASTM B36.
- ③ 3.81um [.000150] MIN TIN OVER 2.54um [.000100] MIN COPPER.
- ④ 0.76um [.000030] MIN GOLD FOR A LENGTH OF 5.08 [.200] FROM MATING END, 3.81um [.000150] MIN TIN FOR A LENGTH OF 4.83 [.190] MIN FROM OPPOSITE END, BOTH OVER 1.27um [.000050] MIN NICKEL.
- ⑤ .000150 MIN TIN OVER .000100 MIN CU, OR .000050 MIN NICKEL.

- ⑥ 0.76um [.000030] MIN GOLD FOR A LENGTH OF 5.08 [.200] FROM MATING END, 3.81um [.000150] MIN TIN FOR A LENGTH OF 4.83 [.190] MIN FROM OPPOSITE END, BOTH OVER 1.27um [.000050] MIN NICKEL.

⑥	NO	1-207158-1
⑥	YES	1-207158-0
⑤	NO	207158-8
⑤	YES	207158-7
④	NO	207158-4
④	YES	207158-3
③	NO	207158-2
③	YES	-207158-1
	CONTACT FINISH	MOUNTING TABS
		PART NO

THIS DRAWING IS A CONTROLLED DOCUMENT.

DIMENSIONS: mm [INCHES]	TOLERANCES UNLESS OTHERWISE SPECIFIED: 0 PLC ± - 1 PLC ± - 2 PLC ± 0.25 [.010] 3 PLC ± - 4 PLC ± - ANGLES ± -	DWN L.SIPE 03/10/92 CHK R.STONE 3-17-92 APVD A.TRAVIS 3-17-92	NAME PIN HEADER ASSEMBLY, 6 POSITION, METRIMATE
MATERIAL HOUSING: 1	FINISH CONTACT: SEE TABLE	PRODUCT SPEC 108-10033 APPLICATION SPEC	SIZE A2
CUSTOMER DRAWING		WEIGHT	CAGE CODE 00779
		SCALE 4:1	DRAWING NO C=207158
		SHEET 1 of 1	RESTRICTED TO -
		REV Y	