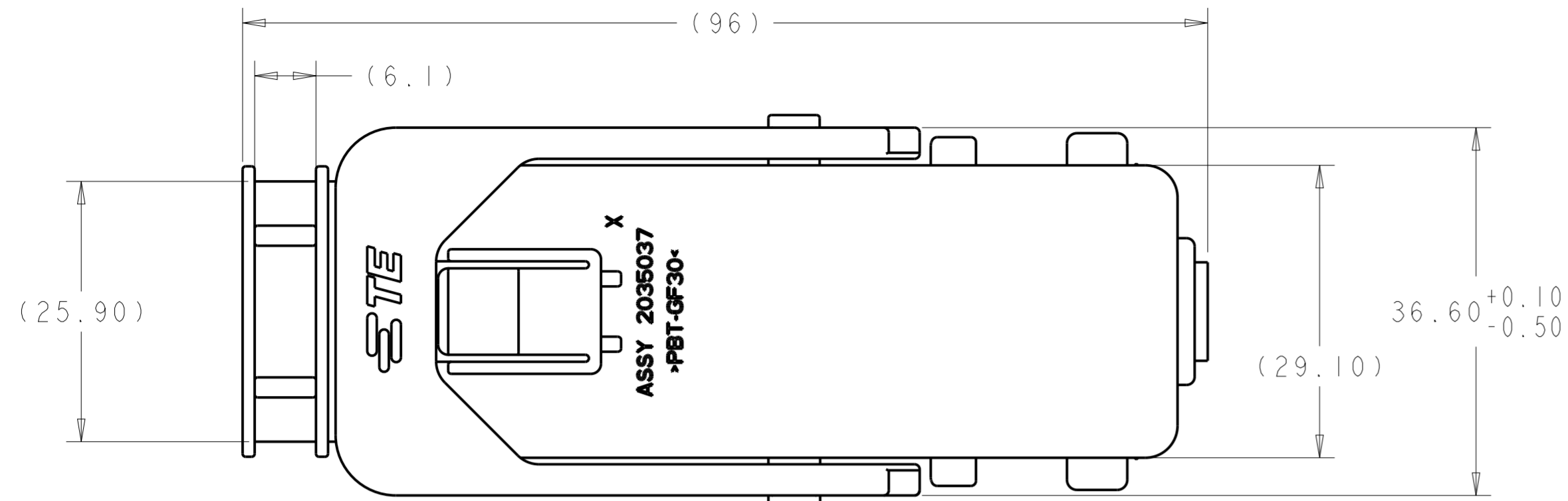
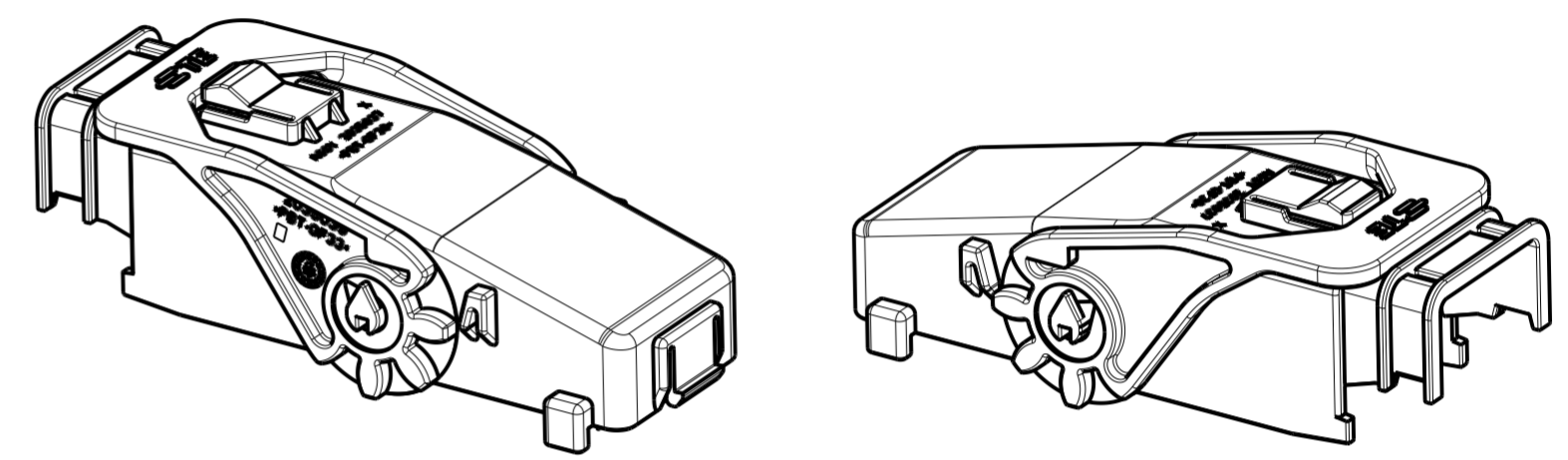


THIS DRAWING IS UNPUBLISHED. RELEASED FOR PUBLICATION 20
 © COPYRIGHT 20 BY - ALL RIGHTS RESERVED.

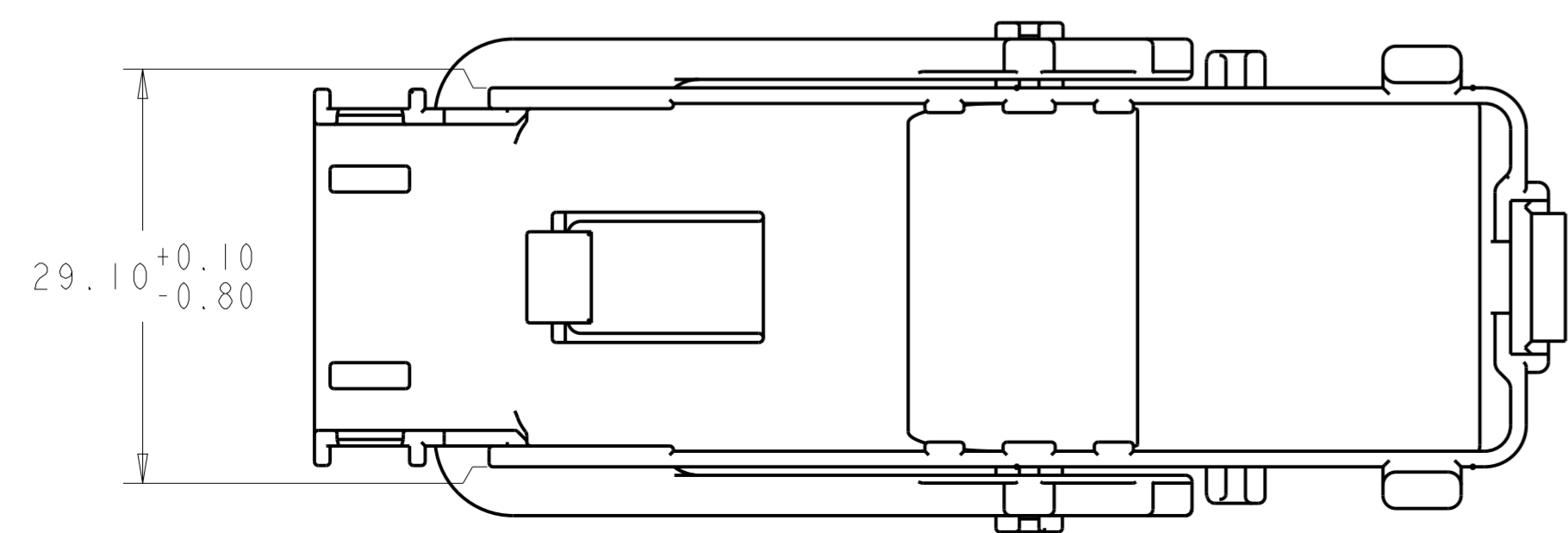
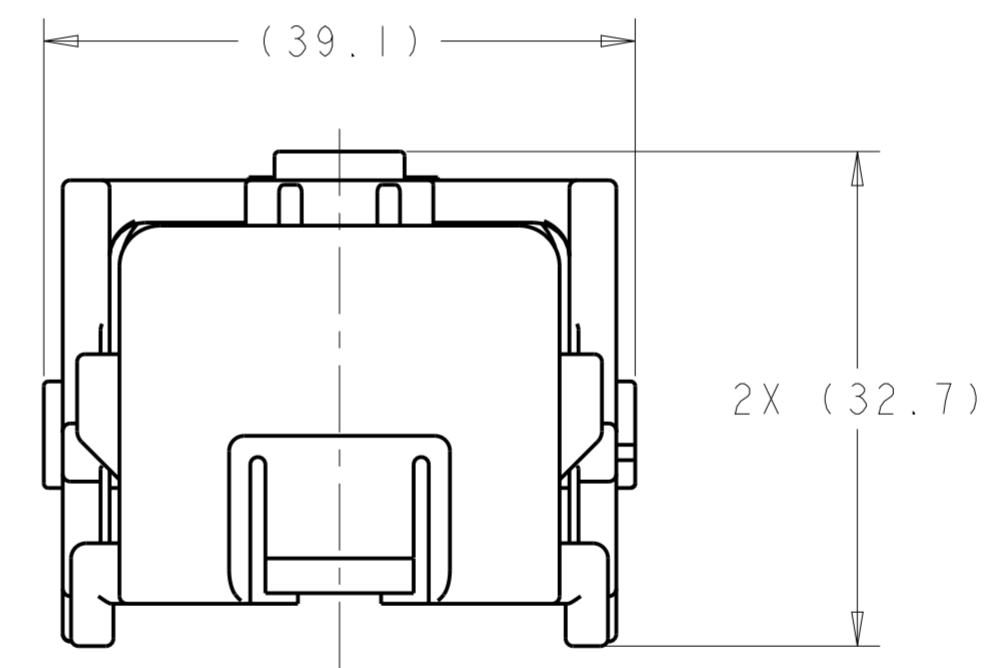
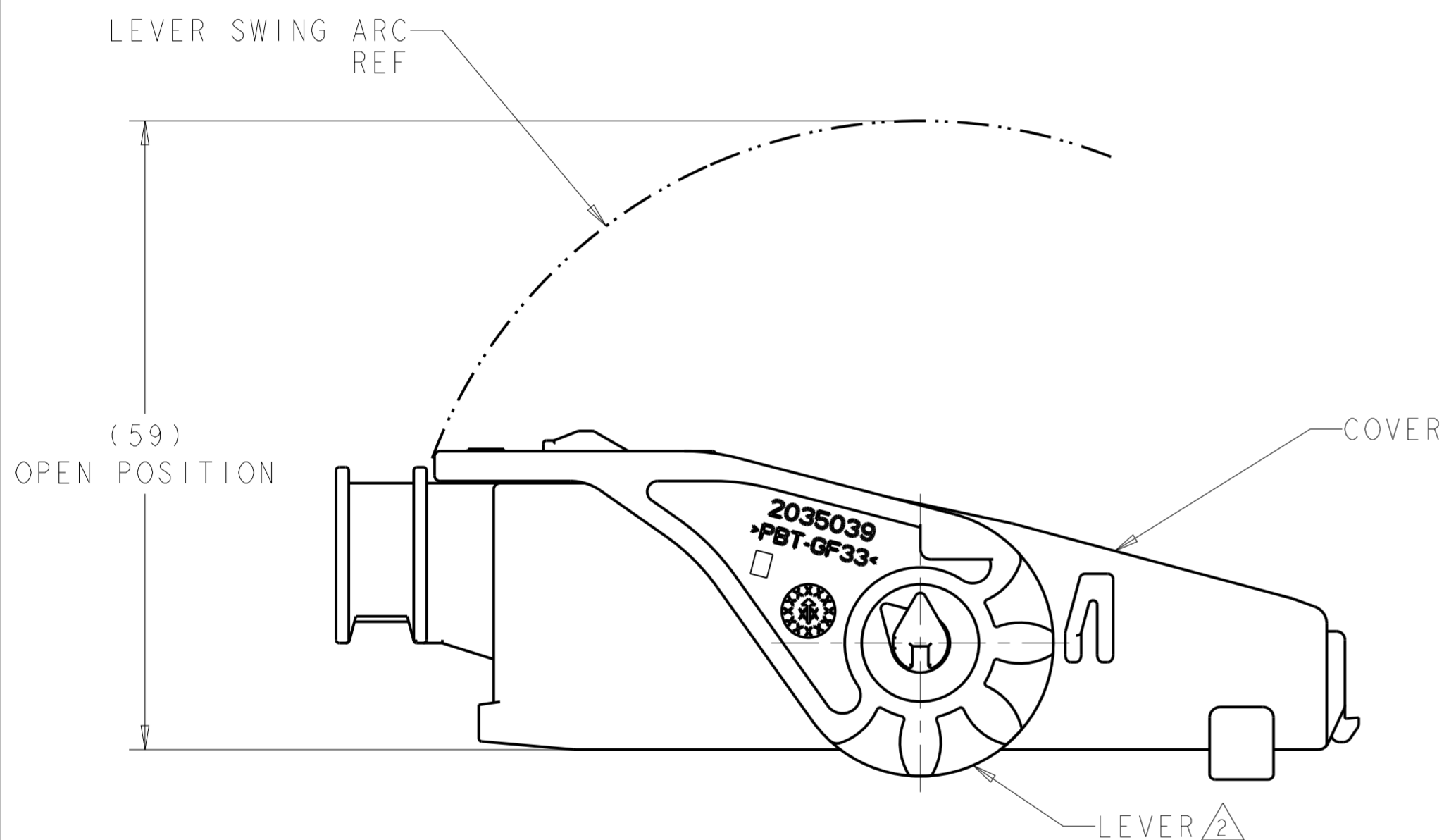
REVISIONS				
P	LTR	DESCRIPTION	DATE	APVD
B		REVISED PER ECR-12-018984	01NOV2012	AJV
C		REVISED PER ECO-14-006242	25APR2014	DLD
CI		REVISED PER ECO-14-015176	07OCT2014	DLD



- ① COVER - POLYESTER PBT, BLACK.
LEVER - POLYESTER PBT, RED.
- ② LEVER SHOWN IN CLOSED POSITION, WIRE DRESS ASSEMBLY TO BE SHIPPED IN THIS POSITION.
- ③ COVER - POLYESTER PBT, BLACK.
LEVER - POLYESTER PBT, GRAY.



ISOMETRIC VIEWS
SCALE 1:1



③	2035037-2
①	2035037-1
	PART NUMBER

THIS DRAWING IS A CONTROLLED DOCUMENT.		DWN M. HARISH 08FEB2011	TE Connectivity	
DIMENSIONS: mm		CHK AJ VASBINDER 08FEB2011		
TOLERANCES UNLESS OTHERWISE SPECIFIED:		APVD AJ VASBINDER 08FEB2011	NAME WIRE DRESS ASSEMBLY, 96 POSITION, GPEC II	
0 PLC ±	1 PLC ±	PRODUCT SPEC	SIZE CAGE CODE DRAWING NO RESTRICTED TO	
2 PLC ±	3 PLC ±	APPLICATION SPEC	A200779 C-2035037	
4 PLC ±	ANGLES ±	WEIGHT	SCALE 2:1 SHEET OF REV C1	
FINISH		CUSTOMER DRAWING		