

2098251-2 ✓ ACTIVE

AMP | AMPSEAL 16

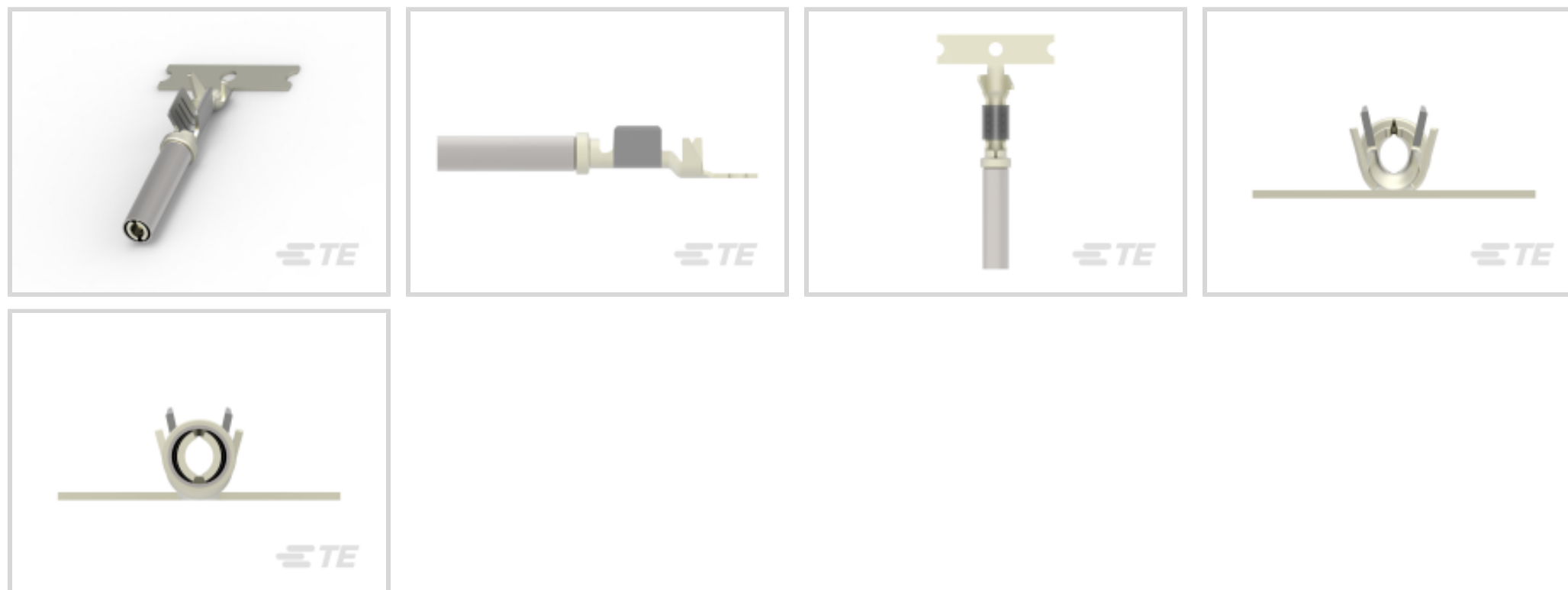
TE Internal #: 2098251-2

Automotive Terminals, Socket, 18 – 15 AWG Wire Size, .82 – 1.5 mm<sup>2</sup> Wire Size, Tin (Sn) Interface Plating, Terminates To Wire, Copper Wire, AMPSEAL 16

[View on TE.com >](#)



Terminals & Splices > Automotive Terminals > Contacts: Size 16, 13A



Terminal Type: **Socket**

Terminal Transmits: **0 – 24 A (Low Power)**

Wire Size: **.82 – 1.5 mm<sup>2</sup>**

Sealable: **No**

[All Contacts: Size 16, 13A \(33\)](#)

## Features

### Product Type Features

Sealable	No
----------	----

### Contact Features

Contact Size	Size 16
Contact Fabrication	Stamped & Formed
Typical Current Rating	13 A
Crimp Type	F-Crimp
Terminal Type	Socket
Interface Plating	Tin (Sn)
Contact Termination Area Plating Material	Nickel (Ni)

### Termination Features

Termination Method to Wire & Cable	Crimp
Product Terminates To	Wire

### Dimensions



Wire Size	.82 – 1.5 mm <sup>2</sup>
Wire Size Search	15 AWG, 16 AWG, 17 AWG, 18 AWG
Wire Insulation Diameter	1.65 – 3 mm [.065 – .118 in]

### Usage Conditions

Insulation Option	Uninsulated
Operating Temperature (Max)	80 °C, 85 °C, 90 °C, 100 °C, 105 °C, 110 °C, 120 °C [176 °F] [185 °F] [194 °F] [212 °F] [221 °F] [230 °F] [248 °F]
Operating Temperature Range	-40 – 120 °C [-40 – 248 °F]

### Operation/Application

Compatible With Wire Base Material	Copper
------------------------------------	--------

### Packaging Features

Packaging Method	Package
Packaging Quantity	4000

### Other

Customer Preferred Contact	No
Terminal Transmits	0 – 24 A (Low Power)

### Product Compliance

[For compliance documentation, visit the product page on TE.com>](#)

EU RoHS Directive 2011/65/EU	Compliant
EU ELV Directive 2000/53/EC	Compliant
China RoHS 2 Directive MIIT Order No 32, 2016	No Restricted Materials Above Threshold
EU REACH Regulation (EC) No. 1907/2006	Current ECHA Candidate List: JUNE 2022 (224) Candidate List Declared Against: JAN 2022 (223) SVHC > Threshold: Not Yet Reviewed
Halogen Content	Low Halogen - Br, Cl, F, I < 900 ppm per homogenous material. Also BFR/CFR/PVC Free
Solder Process Capability	Not applicable for solder process capability

#### Product Compliance Disclaimer

This information is provided based on reasonable inquiry of our suppliers and represents our current actual knowledge based on the information they provided. This information is subject to change. The part numbers that TE has identified as



EU RoHS compliant have a maximum concentration of 0.1% by weight in homogenous materials for lead, hexavalent chromium, mercury, PBB, PBDE, DBP, BBP, DEHP, DIBP, and 0.01% for cadmium, or qualify for an exemption to these limits as defined in the Annexes of Directive 2011/65/EU (RoHS2). Finished electrical and electronic equipment products will be CE marked as required by Directive 2011/65/EU. Components may not be CE marked. Additionally, the part numbers that TE has identified as EU ELV compliant have a maximum concentration of 0.1% by weight in homogenous materials for lead, hexavalent chromium, and mercury, and 0.01% for cadmium, or qualify for an exemption to these limits as defined in the Annexes of Directive 2000/53/EC (ELV). Regarding the REACH Regulation, the information TE provides on SVHC in articles for this part number is based on the latest European Chemicals Agency (ECHA) 'Guidance on requirements for substances in articles' posted at this URL: <https://echa.europa.eu/guidance-documents/guidance-on-reach>

## Compatible Parts



TE Part # CAT-AM7801-CH8172  
AMPSEAL 16 HOUSINGS



TE Part # 2305570-1  
TERMINAL CUTTER, SIDE FEED



TE Part # 1924463-1  
PIN, SF, SIZE 16, 18-20 AWG, AU/SN



TE Part # 2-2151617-1  
OCEAN-2.0-APPLICATOR-S-090F1300



TE Part # 2-2151617-2  
OCEAN-2.0-APPLICATOR-S-090F1300A



TE Part # 2151617-1  
OCEAN-2.0-APPLICATOR-S-090F1300



TE Part # 2151617-2  
OCEAN-2.0-APPLICATOR-S-090F1300A



TE Part # 7-2151617-1  
OCEAN-2.0-APPLICATOR-S-090F1300




TE Part # 7-2151617-2  
OCEAN-2.0-APPLICATOR-S-090F1300A



TE Part # 7-2151617-7  
OCEAN\_2.0\_SPARE\_PART\_KIT-090F1300


## Also in the Series | AMPSEAL 16




Automotive Connector Caps & Covers (85)



Automotive Connector Locks & Position Assurance(2)



Automotive Housings(241)



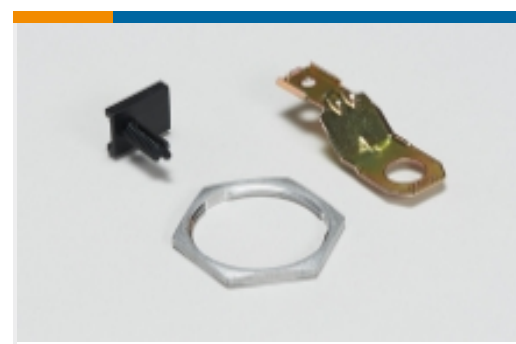
Automotive Seals & Cavity Plugs(4)



Automotive Terminals(33)



Data Connectivity Housings(3)

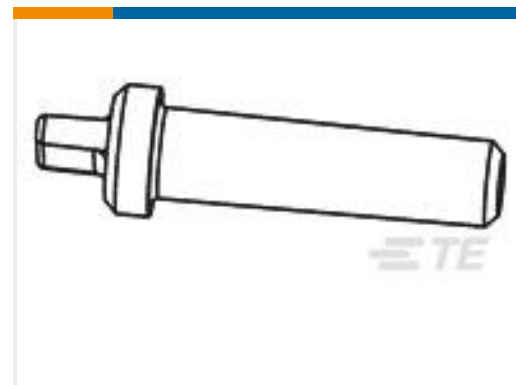


Other Automotive Connector Accessories(11)



PCB Headers &amp; Receptacles(3)

## Customers Also Bought

TE Part #776523-4  
AMPSEAL 16 HOUSINGSTE Part #1418918-1  
MULTI CORE CABLE ADAPTER 90 DEGREETE Part #776364-1  
SEALING PLUG, SZ 20 CAVITYTE Part #2292799-1  
AS16 BACKSHELL, 4P PLUG, SMOOTH EXIT, MCTE Part #HD36-24-9SN-059  
PLG,9P,AL,N, CBLCLMPBT,DRAIN,4/8 /12,S,MCTE Part #3-967624-1  
JUN-POW-TIM GEH 18PTE Part #DTM2S-BT  
BOOT, 2P, PLG, ST, GRY

## Documents

### Product Drawings

SOC, SF, SIZE 16, 16-18 AWG, NI/SN

English

### CAD Files

3D PDF

3D

Customer View Model

[ENG\\_CVM\\_CVM\\_2098251-2\\_A.2d\\_dxf.zip](#)

English

Customer View Model

[ENG\\_CVM\\_CVM\\_2098251-2\\_A.3d\\_igs.zip](#)

English

Customer View Model

[ENG\\_CVM\\_CVM\\_2098251-2\\_A.3d\\_stp.zip](#)

English

By downloading the CAD file I accept and agree to the [Terms and Conditions](#) of use.



---

## Datasheets & Catalog Pages

### ICT Terminals and Connectors Catalogue

English

### CONNECTOR SELECTOR

English

---

## Product Specifications

### Product Specification

English

---

## Product Environmental Compliance

### Product Compliance

English

### Product Compliance

English