

1969443-6 ✓ ACTIVE

Economy Power 2.5

TE Internal #: 1969443-6

PCB Latches, Locks & Retainers, TPA (Terminal Position Assurance),

Wire-to-Board, 6 Position, .098 in [2.5 mm] Centerline, Economy

Power 2.5

[View on TE.com >](#)



Connectors > PCB Connectors > PCB Connector Accessories > PCB Connector Hardware > PCB Latches, Locks & Retainers



Connector & Contact Retention Accessory Type: **TPA (Terminal Position Assurance)**

Connector System: **Wire-to-Board**

Number of Positions: **6**

Centerline (Pitch): **2.5 mm [.098 in]**

Connector & Contact Terminates To: **Wire & Cable**

Features

Product Type Features

Connector & Contact Retention Accessory Type	TPA (Terminal Position Assurance)
Connector System	Wire-to-Board
Connector & Contact Terminates To	Wire & Cable

Configuration Features

Number of Positions	6
Number of Rows	1

Body Features

Primary Product Material	Nylon GF
Primary Product Color	Black

Housing Features

Centerline (Pitch)	2.5 mm[.098 in]
--------------------	-----------------

Dimensions

Product Length	14.4 mm[.567 in]
----------------	------------------



Product Height	2.51 mm[.099 in]
----------------	------------------

Usage Conditions

Operating Temperature Range	-55 – 105 °C[-67 – 221 °F]
-----------------------------	----------------------------

Industry Standards

Glow Wire Rating	Standard Part - Not Glow Wire
------------------	-------------------------------

Packaging Features

Packaging Quantity	800
--------------------	-----

Packaging Method	Bag
------------------	-----

Product Compliance

[For compliance documentation, visit the product page on TE.com>](#)

EU RoHS Directive 2011/65/EU	Compliant
------------------------------	-----------

EU ELV Directive 2000/53/EC	Compliant
-----------------------------	-----------

China RoHS 2 Directive MIIT Order No 32, 2016	No Restricted Materials Above Threshold
---	---

EU REACH Regulation (EC) No. 1907/2006	Current ECHA Candidate List: JUNE 2022 (224) Candidate List Declared Against: JAN 2022 (223) SVHC > Threshold: Not Yet Reviewed
--	--

Halogen Content	Not Low Halogen - contains Br or Cl > 900 ppm.
-----------------	--

Solder Process Capability	Not applicable for solder process capability
---------------------------	--

Product Compliance Disclaimer

This information is provided based on reasonable inquiry of our suppliers and represents our current actual knowledge based on the information they provided. This information is subject to change. The part numbers that TE has identified as EU RoHS compliant have a maximum concentration of 0.1% by weight in homogenous materials for lead, hexavalent chromium, mercury, PBB, PBDE, DBP, BBP, DEHP, DIBP, and 0.01% for cadmium, or qualify for an exemption to these limits as defined in the Annexes of Directive 2011/65/EU (RoHS2). Finished electrical and electronic equipment products will be CE marked as required by Directive 2011/65/EU. Components may not be CE marked. Additionally, the part numbers that TE has identified as EU ELV compliant have a maximum concentration of 0.1% by weight in homogenous materials for lead, hexavalent chromium, and mercury, and 0.01% for cadmium, or qualify for an exemption to these limits as defined in the Annexes of Directive 2000/53/EC (ELV). Regarding the REACH Regulation, the information TE provides on SVHC in articles for this part number is based on the latest European Chemicals Agency (ECHA) 'Guidance on requirements for substances in articles' posted at this URL: <https://echa.europa.eu/guidance-documents/guidance-on-reach>

Compatible Parts




TE Part # 1969442-6
EP 2.5 TPA Housing, 6 Pos



TE Part # 1744417-6
6 POS EP 2.5 HSG, GLOW WIRE



TE Part # 1744423-1
EP 2.5 RCPT CONTACT, 24-20 AWG



TE Part # 2238007-1
TERMINAL, PIN, LANCELESS, 22-26 AWG, EP2



TE Part # 2110989-1
EP 2.5 RCPT CONTACT, 26-22 AWG




TE Part # 2232905-1
EP 2.5 LIF RCPT CONTACT, 26-22 AWG



TE Part # 1969825-6
EP 2.5 TPA RETAINER, 6 POS

Also in the Series | Economy Power 2.5




Insertion & Extraction Tools(1)




PCB Headers & Receptacles(210)




PCB Latches, Locks & Retainers(49)



Rectangular Power Connectors(43)



Wire-to-Board Connector Assemblies & Housings(216)



Wire-to-Board Connector Contacts(6)

Customers Also Bought



TE Part #5-1971772-3
PTL 1X3 CAP PANEL MT HITEMP KEY A LGR



TE Part #1376395-1
5MM POWER KEY D/L PLATE GREEN



TE Part #2110989-1
EP 2.5 RCPT CONTACT, 26-22 AWG



TE Part #2238197-3
250 FASTON, FLAG, REC., 18-12 AWG, TPBR



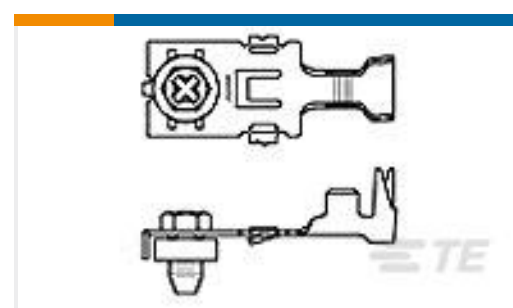
TE Part #521600-2
ULTRA-POD 187 ASY REC 22-18 AWG
TPBR



TE Part #1-1969443-0
EP 2.5 TPA Retainer, 10 Pos



TE Part #1969825-8
EP 2.5 TPA RETAINER, 8 POS



TE Part #521844-1
POWER BLOCK ASSEMBLY 16-12
AWG BR

Documents

CAD Files

3D PDF

3D

Customer View Model

[ENG_CVM_CVM_1969443-6_B.2d_dxf.zip](#)

English

Customer View Model

[ENG_CVM_CVM_1969443-6_B.3d_igs.zip](#)

English

Customer View Model

[ENG_CVM_CVM_1969443-6_B.3d_stp.zip](#)

English

By downloading the CAD file I accept and agree to the [Terms and Conditions](#) of use.

Datasheets & Catalog Pages

[7-1773461-6_EP2.5_Connector_Series](#)

English

Product Specifications

[Application Specification](#)

English

Product Environmental Compliance

[TE Material Declaration](#)

English

Instruction Sheets

[Instruction Sheet \(U.S.\)](#)

English

Agency Approvals

[VDE Certificate](#)

English