

BACKSHELL, AS 16, 3 P, 90 EXIT ! PENDING OBSOLESCENCE

AMP | AMPSEAL 16

TE Part # 2035048-6

TE Internal #: 2035048-6

[View on TE.com >](#)



Connectors > Automotive, Truck, Bus, & Off-Road Connectors > Connector Accessories > Connector Caps & Covers



Accessory Type: **Backshell**

Cable Exit Angle: **90 (Right Angle)**

Strain Relief: **With**

Color: **Black**

Material: **Nylon**

Features

Product Type Features

Accessory Type	Backshell
Strain Relief	With

Configuration Features

Number of Positions	3
---------------------	---

Body Features

Cable Exit Angle	90 (Right Angle)
Color	Black
Material	Nylon

Packaging Features

Packaging Method	Package
Packaging Quantity	1

Other

Serviceable	No
-------------	----

Product Compliance

[For compliance documentation, visit the product page on TE.com>](#)

EU RoHS Directive 2011/65/EU	Compliant
EU ELV Directive 2000/53/EC	Compliant

China RoHS 2 Directive MIIT Order No 32, 2016	No Restricted Materials Above Threshold
EU REACH Regulation (EC) No. 1907/2006	Current ECHA Candidate List: JAN 2019 (197) Candidate List Declared Against: JAN 2019 (197)
Halogen Content	Low Halogen - Br, Cl, F, I < 900 ppm per homogenous material. Also BFR/CFR/PVC Free
Solder Process Capability	Not applicable for solder process capability

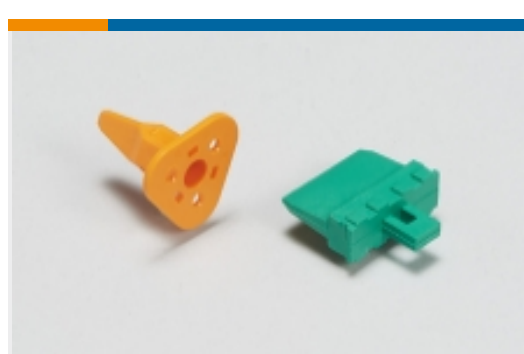
Product Compliance Disclaimer

This information is provided based on reasonable inquiry of our suppliers and represents our current actual knowledge based on the information they provided. This information is subject to change. The part numbers that TE has identified as EU RoHS compliant have a maximum concentration of 0.1% by weight in homogenous materials for lead, hexavalent chromium, mercury, PBB, PBDE, DBP, BBP, DEHP, DIBP, and 0.01% for cadmium, or qualify for an exemption to these limits as defined in the Annexes of Directive 2011/65/EU (RoHS2). Finished electrical and electronic equipment products will be CE marked as required by Directive 2011/65/EU. Components may not be CE marked. Additionally, the part numbers that TE has identified as EU ELV compliant have a maximum concentration of 0.1% by weight in homogenous materials for lead, hexavalent chromium, and mercury, and 0.01% for cadmium, or qualify for an exemption to these limits as defined in the Annexes of Directive 2000/53/EC (ELV). Regarding the REACH Regulations, TE's information on SVHC in articles for this part number is still based on the European Chemical Agency (ECHA) 'Guidance on requirements for substances in articles' (Version: 2, April 2011), applying the 0.1% weight on weight concentration threshold at the finished product level. TE is aware of the European Court of Justice ruling of September 10th, 2015 also known as O5A (Once An Article Always An Article) stating that, in case of 'complex object', the threshold for a SVHC must be applied to both the product as a whole and simultaneously to each of the articles forming part of its composition. TE has evaluated this ruling based on the new ECHA "Guidance on requirements for substances in articles" (June 2017, version 4.0) and will be updating its statements accordingly.

Also in the Series | **AMPSEAL 16**



Automotive Connector Caps & Covers(75)



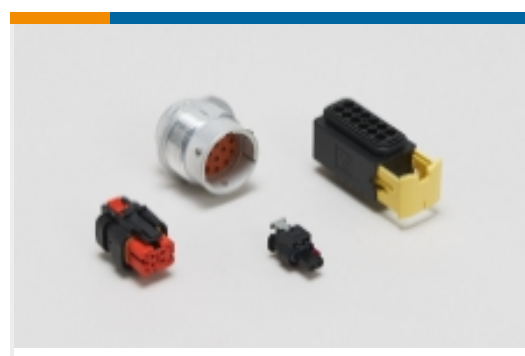
Automotive Connector Locks & Position Assurance (2)



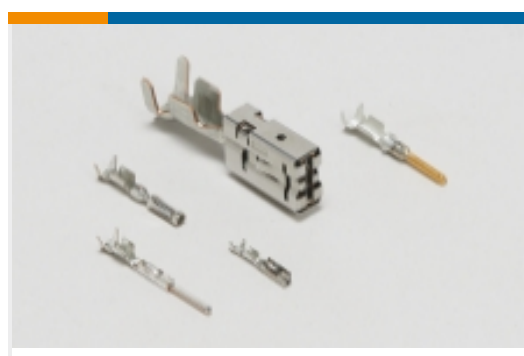
Automotive Seals & Cavity Plugs(4)



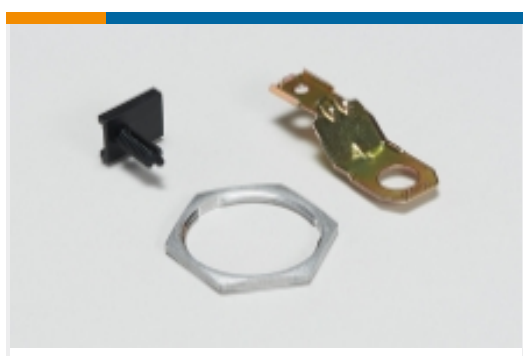
Automotive, Truck, Bus, & Off-Road Headers(3)



Automotive, Truck, Bus, & Off-Road Housings(165)

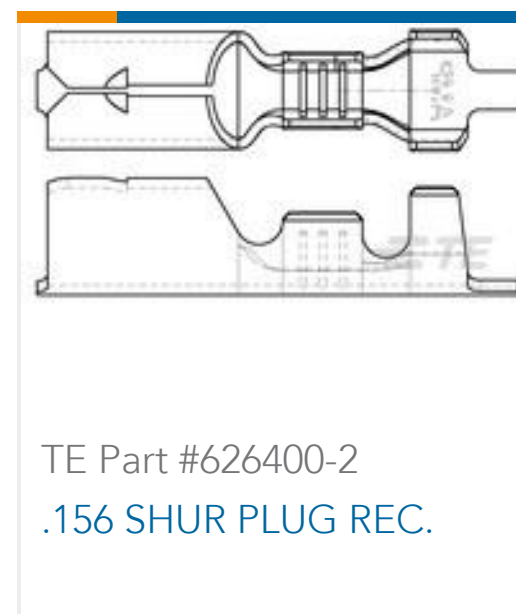


Automotive, Truck, Bus, & Off-Road Terminals(33)



Other Automotive Connector Accessories(11)

Customers Also Bought



Documents

Product Drawings

[BACKSHELL, AS 16, 3 P, 90 EXIT](#)

English

CAD Files

[3D PDF](#)

3D

Customer View Model

[ENG_CVM_CVM_2035048-6_C.2d_dxf.zip](#)

English

Customer View Model

[ENG_CVM_CVM_2035048-6_C.3d_igs.zip](#)

English

Customer View Model

[ENG_CVM_CVM_2035048-6_C.3d_stp.zip](#)

English

Datasheets & Catalog Pages

[ICT Terminals and Connectors Catalogue](#)

English

[CONNECTOR SELECTOR](#)

English