



Connectors > PCB Connectors > Memory Card Connectors > SD Card Connectors



Compatible Card: **Secure Digital**

Number of Positions: **9**

Centerline (Pitch): **1.7 mm, 2.43 mm, 2.5 mm [ .067 in, .095 in, .098 in ]**

PCB Mounting Style: **Surface Mount**

PCB Mount Orientation: **Right Angle**

## Features

### Product Type Features

Compatible Card	Secure Digital
Connector & Contact Terminates To	Printed Circuit Board

### Configuration Features

Number of Positions	9
PCB Mount Orientation	Right Angle

### Contact Features

Contact Current Rating (Max)	.5 A
------------------------------	------

### Mechanical Attachment

PCB Mounting Style	Surface Mount
Connector Mounting Type	Board Mount

### Housing Features

Centerline (Pitch)	1.7 mm, 2.43 mm, 2.5 mm [.067 in][.095 in][.098 in]
--------------------	---

### Usage Conditions

Operating Temperature Range	-25 – 85 °C[-13 – 185 °F]
-----------------------------	---------------------------

### Operation/Application

Circuit Application	Signal
---------------------	--------

## Product Compliance

[For compliance documentation, visit the product page on TE.com>](#)



EU RoHS Directive 2011/65/EU	Compliant
EU ELV Directive 2000/53/EC	Compliant
China RoHS 2 Directive MIIT Order No 32, 2016	No Restricted Materials Above Threshold
EU REACH Regulation (EC) No. 1907/2006	Current ECHA Candidate List: JUNE 2022 (224) Candidate List Declared Against: JUL 2019 (201) SVHC > Threshold: Not Yet Reviewed
Halogen Content	Low Halogen - Br, Cl, F, I < 900 ppm per homogenous material. Also BFR/CFR/PVC Free
Solder Process Capability	Reflow solder capable to 260°C

Product Compliance Disclaimer

This information is provided based on reasonable inquiry of our suppliers and represents our current actual knowledge based on the information they provided. This information is subject to change. The part numbers that TE has identified as EU RoHS compliant have a maximum concentration of 0.1% by weight in homogenous materials for lead, hexavalent chromium, mercury, PBB, PBDE, DBP, BBP, DEHP, DIBP, and 0.01% for cadmium, or qualify for an exemption to these limits as defined in the Annexes of Directive 2011/65/EU (RoHS2). Finished electrical and electronic equipment products will be CE marked as required by Directive 2011/65/EU. Components may not be CE marked. Additionally, the part numbers that TE has identified as EU ELV compliant have a maximum concentration of 0.1% by weight in homogenous materials for lead, hexavalent chromium, and mercury, and 0.01% for cadmium, or qualify for an exemption to these limits as defined in the Annexes of Directive 2000/53/EC (ELV). Regarding the REACH Regulation, the information TE provides on SVHC in articles for this part number is based on the latest European Chemicals Agency (ECHA) 'Guidance on requirements for substances in articles' posted at this URL: <https://echa.europa.eu/guidance-documents/guidance-on-reach>

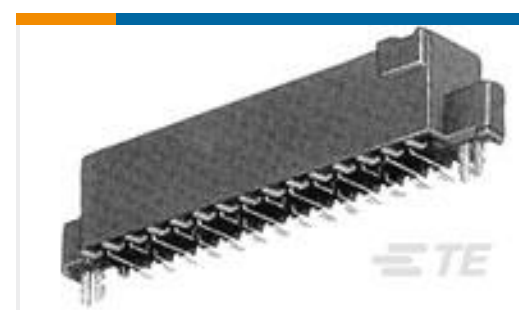
## Customers Also Bought



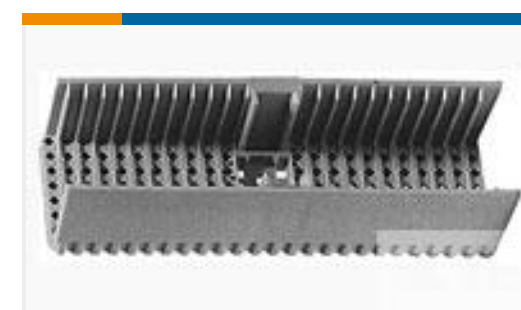
TE Part #1-440054-3  
2.0MM,HDR,13POS,VERTICAL



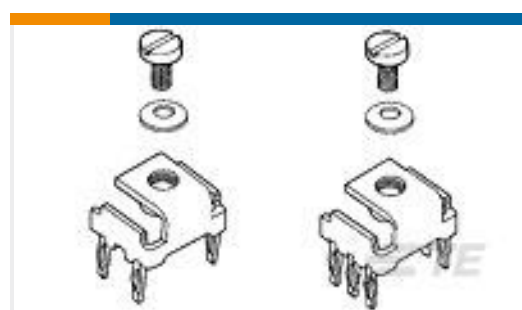
TE Part #5120658-1  
Z-PACK HS3 HDR ASY 10R 100P



TE Part #1-104652-0  
100 50/50 GRID DRST SFMNT RCPT



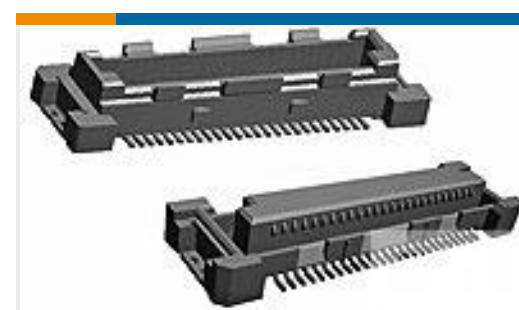
TE Part #646482-2  
2MM H.M.,B-22 SHROUD 3.9MM



TE Part #216906-1  
.250 POWER TERM.A.P



TE Part #5-147278-4  
05 MTE HDR SRRA SFMNT .100CL



TE Part #1-5316559-1  
.6FHP04H,160,S,GIG,08/Sn,HT,SEYes



TE Part #1903977-1  
SLIM UPM 4POS. R/A HDR ASSEMBL



## Documents

### CAD Files

[3D PDF](#)

3D

#### Customer View Model

[ENG\\_CVM\\_CVM\\_2041021-3\\_B\\_c-2041021-3-b.2d\\_dxf.zip](#)

English

#### Customer View Model

[ENG\\_CVM\\_CVM\\_2041021-3\\_B\\_c-2041021-3-b.3d\\_igs.zip](#)

English

#### Customer View Model

[ENG\\_CVM\\_CVM\\_2041021-3\\_B\\_c-2041021-3-b.3d\\_stp.zip](#)

English

By downloading the CAD file I accept and agree to the [Terms and Conditions](#) of use.

### Datasheets & Catalog Pages

[SD Memory Card Connectors Quick Reference Guide \(English\)](#)

English

### Product Specifications

[Product Specification](#)

English

[Product Specification](#)

English

### Product Environmental Compliance

[TE Material Declaration](#)

English